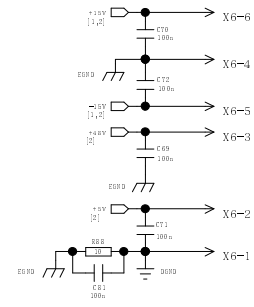
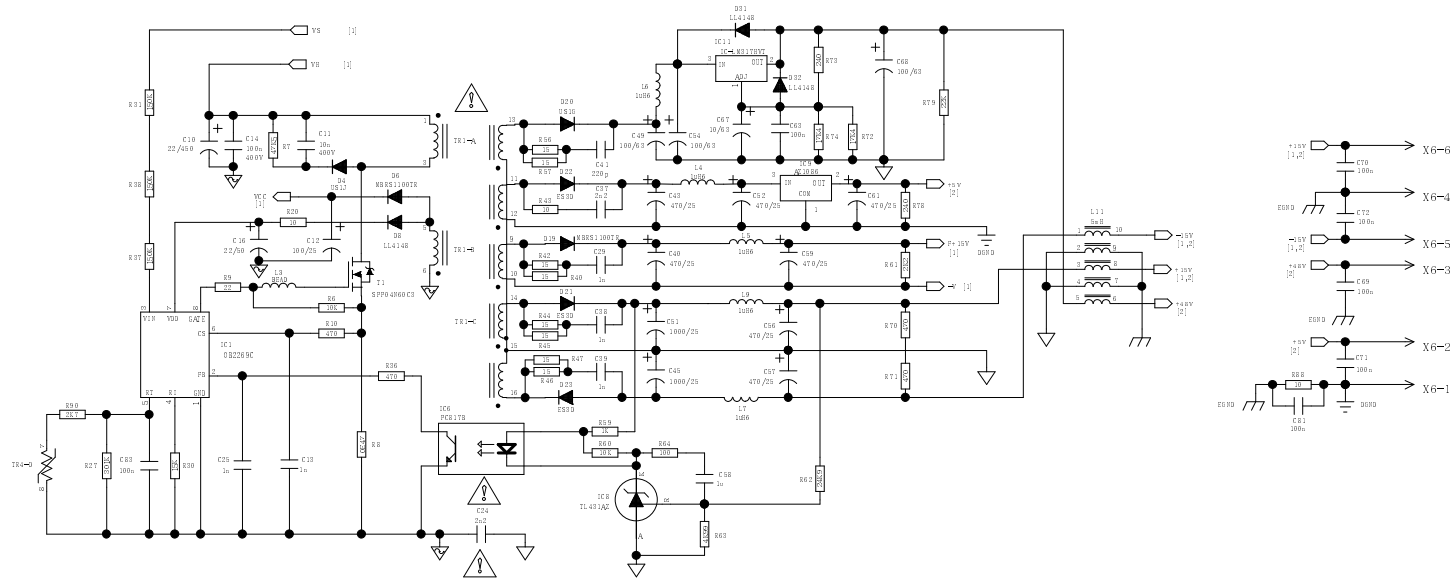


ALL INFORMATION (INCLUDING DRAWINGS AND DIAGRAMS) CONTAINED IN THIS DOCUMENT IS THE PROPERTY OF BEHRINGER ADDRESSEES WHOM THE INFORMATION IS CONFIDED TO SHALL MAINTAIN THE INFORMATION IN CONFIDENCE AND SHALL NOT RELEASE IT TO ANY UNAUTHORIZED THIRD PARTIES (EXCEPT UNDER ATTORNEY CLIENT PRIVILEGE OR UNDER APPROPRIATE CONFIDENTIALITY AGREEMENTS). ANY UNAUTHORIZED DISCLOSURE, USE, APPLICATION OR ANY OTHER DEALINGS IN THE INFORMATION SHALL RESULT IN CIVIL AND/OR (WHERE APPLICABLE) CRIMINAL LIABILITIES AND PENAL TIES

				DATE	NAME	<b>P0000(SMPSU29)</b> <b>PMP series power supply</b>	SHEET 1 of 2
			DRWN	2009-10-20	GERH9		
			CHKD				
				APPR			
B	UPDATED BOARDS	191009	QR	<b>BEHRINGER</b>		<b>BEHR</b>	<input type="checkbox"/>
B	MODIFIED	090909	YD				
A	MODIFIED	070709	YD				
REV	CHANGES	DATE	INIT	FILE :MAIN			



- SC1
- SC2
- SC3
- SC4
- SC5
- SC6
- SC7
- SC8
- SC9
- SC10
- SC11
- SC12
- SC13
- SC14
- SC15
- SC16
- SC17
- SC18
- SC19
- SC20
- SC21
- SC22
- SC23
- SC24
- SC25
- SC26
- SC27
- SC28
- SC29
- SC30
- SC31
- SC32
- SC33
- SC34
- SC35
- SC36
- SC37
- SC38
- SC39
- SC40
- SC41
- SC42
- SC43
- SC44
- SC45
- SC46
- SC47
- SC48
- SC49
- SC50
- SC51
- SC52
- SC53
- SC54
- SC55
- SC56
- SC57
- SC58
- SC59
- SC60
- SC61
- SC62
- SC63
- SC64
- SC65
- SC66
- SC67
- SC68
- SC69
- SC70
- SC71
- SC72
- SC73
- SC74
- SC75
- SC76
- SC77
- SC78
- SC79
- SC80
- SC81
- SC82
- SC83
- SC84
- SC85
- SC86
- SC87
- SC88
- SC89
- SC90
- SC91
- SC92
- SC93
- SC94
- SC95
- SC96
- SC97
- SC98
- SC99
- SC100

ALL INFORMATION (INCLUDING DRAWINGS AND DIAGRAMS) CONTAINED IN THIS DOCUMENT IS THE PROPERTY OF BEHRINGER ADDRESSEES WHOM THE INFORMATION IS CONFIDED TO SHALL MAINTAIN THE INFORMATION IN CONFIDENCE AND SHALL NOT RELEASE IT TO ANY UNAUTHORIZED THIRD PARTIES (EXCEPT UNDER ATTORNEY CLIENT PRIVILEGE OR UNDER APPROPRIATE CONFIDENTIALITY AGREEMENTS). ANY UNAUTHORIZED DISCLOSURE, USE, APPLICATION OR ANY OTHER DEALINGS IN THE INFORMATION SHALL RESULT IN CIVIL AND/OR (WHERE APPLICABLE) CRIMINAL LIABILITIES AND PENAL TIES

		DATE	NAME	P0000(SMPSU29) PMP series power supply
		2009-10-20	BEHR	
B	UPDATED BOARDS	191009	QR	BEHRINGER
B	MODIFIED	090909	YD	
A	MODIFIED	070709	YD	
REV	CHANGES	DATE	INIT FILE :AUX	BEHR

SHEET  
2 of 2