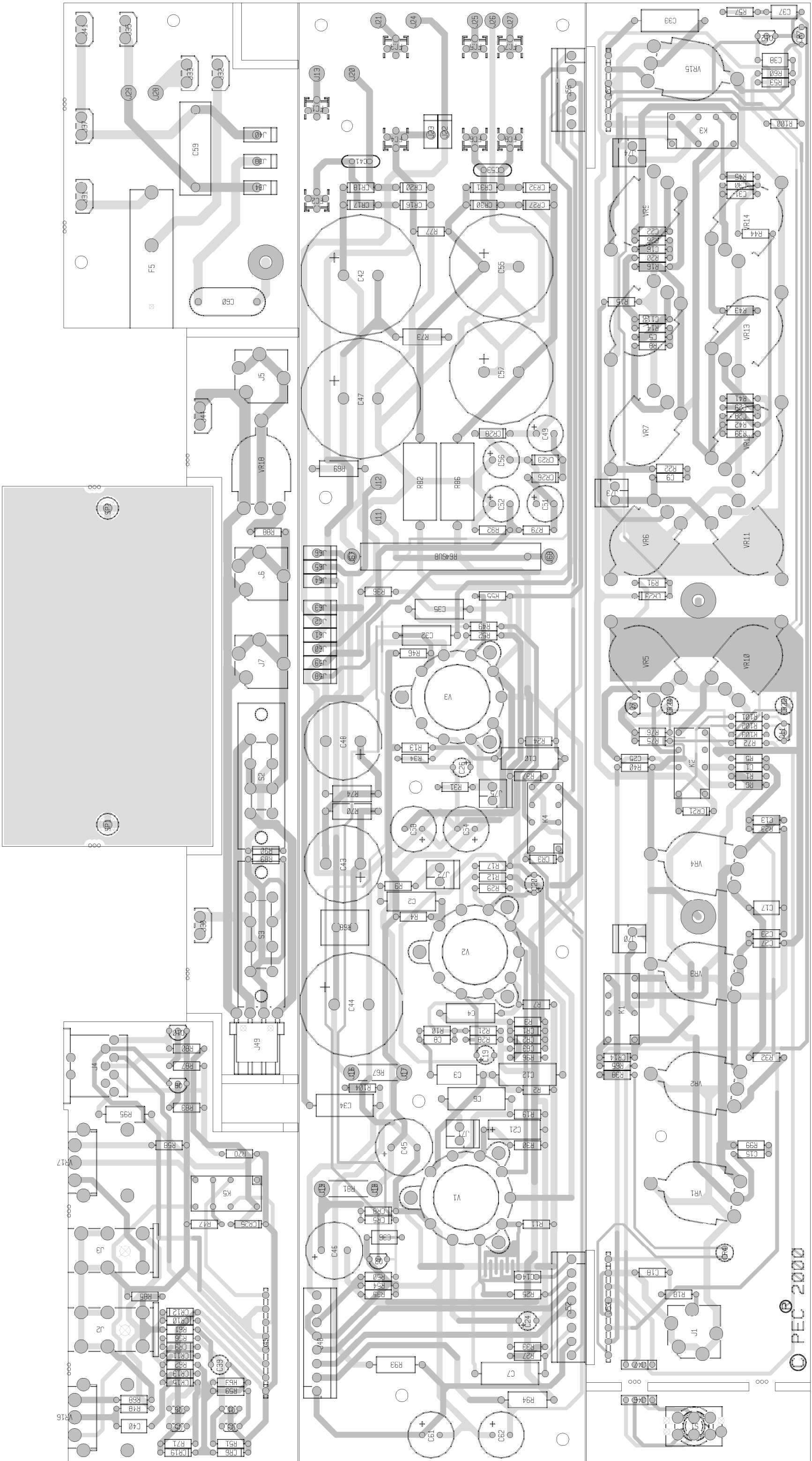


NOTICE: THIS CIRCUITRY IS PROTECTED BY U.S. PATENT NUMBER 4,890,331 OWNED BY PEAVEY ELECTRONICS CORP. USE OR COPYING WITHOUT EXPRESS WRITTEN PERMISSION FROM PEAVEY IS STRICTLY FORBIDDEN AND VIOLATORS WILL BE PROSECUTED TO THE FULLEST EXTENT ALLOWED UNDER U.S. PATENT LAWS.

PEAVEY ELECTRONICS CORP.
711 A STREET
Meridian, Mississippi 39301
TITLE Triple XXX preamp board
CB#72100658/95099490
SIZE CODE NUMBER P0000112
REV D JMB
DATE 19-APR-2001 SHEET 1 OF 1



TRIPLE X PREAMP

© PEC 2000

BILL OF MATERIALS REPORT

BOARD NAME: TRIPLE X PRE
 REPORT DATE: 12MAR01
 ASSEMBLY LEVEL NUMBER: 99909490 DESIGNER: JAMES MCFERRIN/GARY
 GOODIN PROJECT NUMBER: P000112

***** QTY, NAME, VALUE, NUMBER, DEVICE DESIGNATIONS *****

CBDS PART	PART	DESCRIPTION AND
1	.001	70340000 .001MF----10%----50VDC----MON----T&R
1	.001A630	.001A639 70320281 .001MF--630V--T&R--CAP
3	.0022	70340004 .0022MF---10%----50VDC----T/C---T&R
1	.015	70340010 .015MF----10%----50VDC----T/C---T&R
2	.01CD	70320248 .01MF----20%--1000VDC---CD--T&A
1	.01DVLNP	01DVLNP 70320104 .01MFD125VDCDVL MYLAR +0.20%
1	.022	70340012 .022MF---10%----50VDC----MON----T&R
4	.022A400	.022A409 70320283 .022MF--400V--T&R--CAP
1	.047	70340017 .047MF----10%----50VDC----MON----T&R
5	.047A400	.047A409 70320105 .047MFD450 VOLT T&R CAP
1	.068	70340018 .068MF----10%----50VDC----MON----T&R
1	.1A250	.1A250 70320334 .1MFD 250 VGLT T&R CAP
4	.1P10	.1P10 70340101 .1MF----10%----50VDC----MON----T&R
1	.1SF	70330113 0.10MFD 10% 100V STCK FILM T&A

1	11X2	70320298 70320298 .1MF 250VAC X2 20%
1	47A50L	.47A50L 70340063 .47MFD 50V LOW LEAKAGE
6	1.5K	1.5K 70240018 1.5K--1/4W--5%----CF--T&R
1	100	100 70240010 100--1/4W--5%----CF--T&R
4	100R35	100R35 70320186 100R35---20%---35VDC--EL--T&A
9	100K	100K 70240034 100K--1/4W--5%----CF--T&R
2	100KRBV	71190517 71190517 100K LIN MIN VPC W/BRACKET
1	100KRP1	100KRP1 70240151 100K--1/4W--1%----MF--T&R
4	100PF	100PF 70340054 100PF----10%----50VDC----T/C---T&R
4	100R63	100R63 70320264 100R6F----20%----63VDC---EL--T&A
2	100V350	100V350 70320130 100 MFD 350VDC RADIAL SNAP-IN
1	100V500	100V500 70320337 100MFD--1+20%--500VDC--EL--R/S
10	10K	10K 70240025 10K--1/4W--5%----CF--T&R
3	12AX7A	12AX7A 70806612 12AX7 VACUUM TUBE W/70806614 BOT ENTRY SKT
3	12VRELAY	71322277 71322277 DEDT OMRON RELAY 12VDC
3	150K	150K 70240035 150K--1/4W--5%----CF--T&R
1	150KRP1	150KRP1 70241035 150K--1/4W--1%----MF--T&R

1	15K	15K 70240027 15K--1/4W--5%----CF--T&R
2	1740	70401740 25CI740SLN.40V.1A.NPN. LOW NOISE T&A
1	180PF	70340056 180PF----10%----50VDC----T/C---T&R
2	187SOWR	70901854 70901854 SPCR.R.74-403X/16SW.AL.S
1	1K	1K 70240017 1K--1/4W--5%----CF--T&R
1	1KW1	1KW1 70210000 1K--1W----5%----MO--T&R
9	1M	1M 70240039 1M--1/4W--5%----CF--T&R
7	1N4003	1N4003 70464003 1N4003 200V SILICON DIODE
4	1N4007	1N4007 70464007 1N4007 1KV, 1A, SILICON DIODE
15	1N4148	1N4148 4148 70464148 1N4148 75V .0MA SILICON DIODE
2	1N757	1N757 70400757 1N757A 9.1V .5% ZENER DIODE
1	2.2M	2.2M 70240040 2.2M--1/4W--5%----CF--T&R
1	2.2R50NP	2.2R50NP 70320181 2.2MF-----20%----50VDC--NP--T&A
9	220K	220K 70240036 220K--1/4W--5%----CF--T&R
4	220KW1	220KW1 70210008 220K--1W----5%----MO--T&R
3	22K	22K 70240029 22K--1/4W--5%----CF--T&R

C14		
C59		
C21		
R28, R29, R30, R33, R34, R55		
R66		
R2		
C16, C22, C30, C31		
C49, C51, C52, C56		
C43, C48		
C44		
R15, R16, R18, R32, R41, R43, R7, R78, R83, R87		
V1, V2, V3		
K3, K4, K5		
R7, R14, R42		

R69, R70, R13, R74		
R1, R5, R6, R20, R27, R44, R51, R71, R104		
R22, R85, R88		

R11		
R75		
Q1, Q3		
C15		
SPI, SP2		
R60		
R95		
R3, R17, R19, R24, R31, R37, R53, R90, R92		
CR26, CR27, CR28, CR29, CR30, CR31, CR32		
CR16, CR17, CR18, CR20		
CR1, CR2, CR3, CR6, CR9, CR10, CR11, CR12, CR13, CR14, CR15, CR19, CR21, CR23, CR25		
CR5, CR8		
R40		
C39		
R1, R5, R6, R20, R27, R44, R51, R71, R104		
R69, R70, R13, R74		
R22, R85, R88		

2 RASN6165 71466165 JK R/A 12.5MM NIN STEREO -88

J2, J2

8 SPD 73716194 73716194 .250 RC MNT SPADE .093 PCB

J30, J31, J32, J33, J35, J37, J41, J44

12 SPX1 SPX1 73717003 1 STAKE PIN

J34, J38, J40, J58, J59, J60, J61, J62,
J63, J64, J65, J66

2 SPXIU SPXIU 73717003 1 STAKE PIN

J22, J23

6 SPX2 SPX2 XXXXXXXXXX 2 EACH OF STAKE PINS

J70, J71, J72, J73, J74, J75

1 SPX6 SPX6 XXXXXXXXXX 6 EACH OF STAKE PINS

J56

2 SPX8 SPX8 XXXXXXXXXX 8 EACH OF STAKE PINS

J48, J52

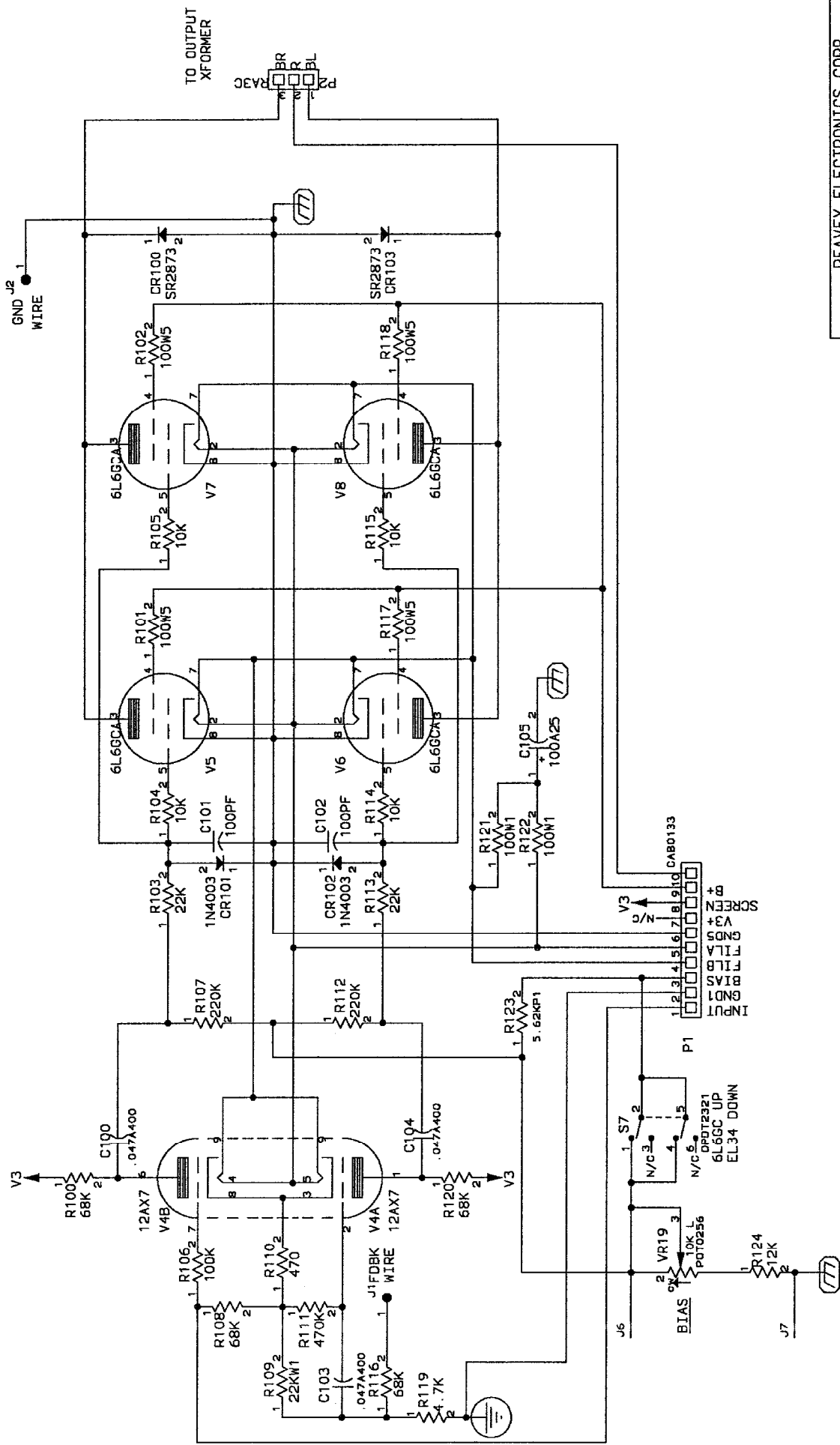
2 SW2328 SW2328 71322328 2PTTPC MOUNT SLIDE SWITCH

S2, S3

1 SW2368 71322368 71322368 SP-TT TOGGLE SWITCH

SI

* END OF BILL OF MATERIALS REPORT *

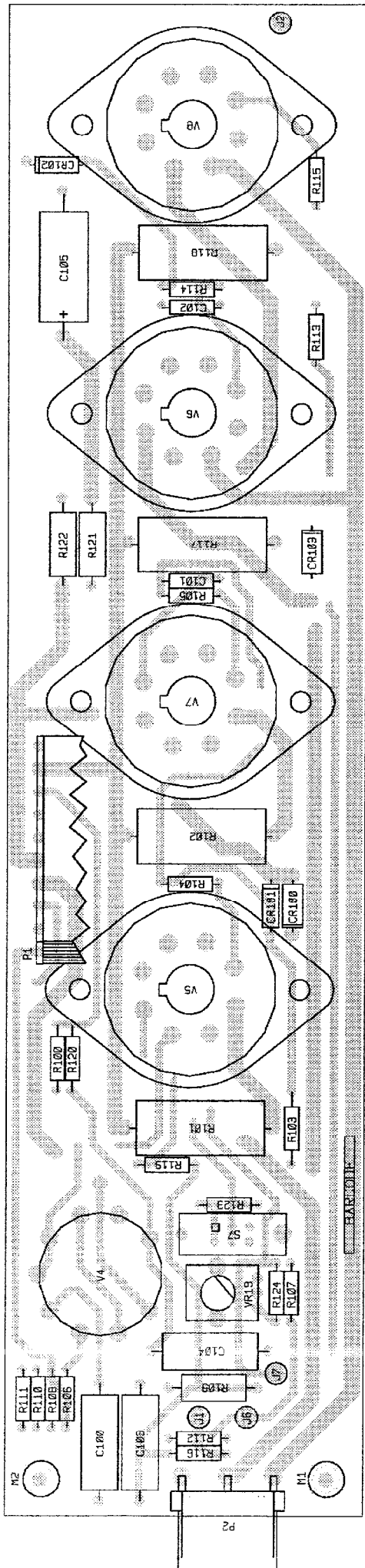


N/C 500STH
M1
N/C 500STH
M2

PEAVEY ELECTRONICS CORP.	
711 A STREET	
MERIDIAN, MISSISSIPPI 39301	
TITLE	TRIPLE X 120W POWER BOARD
CB#	72100654/99099470
SIZE	B
CODE	NUMBER
REV	P0000112
PRINT	DATE
14-MAR-2001	SHEET 1 OF 1

COPYRIGHT 2001 PEAVEY ELECTRONICS CORP. PRINTED IN U.S.A.

TRIPLE XXX 112/212/POWER



FOR TRIPLE XXX 112 60W DO NOT INSERT V5, V8, R101, R110

BILL OF MATERIALS REPORT

BOARD NAME: XXXPWR REPORT DATE: 19NOV02
 ASSEMBLY LEVEL NUMBER: 99099471 DESIGNER: ELBERT COLEMAN
 PROJECT NUMBER: P0000112

CBDS
 PART PART DESCRIPTION AND

** QTY. NAME VALUE NUMBER DEVICE DESIGNATIONS *****

1 72100654 72100654 72100654 PCB

3 .047A400 .047A400 70320105 .047MFD 450 VOLT T&R CAP
 C100, C103, C104

1 100A25 100A25 70320014 100 MFD 25VDC LYTIC CAP
 C105

1 100K 100K 70240034 100K--1/4W--5%---CF--T&R
 R106

2 100PF 100PF 70340054 100PF-----10%---50VDC---T/C---T&R
 C101, C102

2 100W1 100W1 70210003 100---1W---5%---MO--T&R
 R121, R122

2 100W5 100W5 70250006 100--5W--10%--WW--AXL
 R102, R117

4 10K 10K 70240025 10K---1/4W--5%---CF--T&R
 R104, R105, R114, R115

1 12AX7 12AX7 70806612 12AX7 VACUUM TUBE W/9 PIN PC MNT SOCKET
 V4

1 12K 12K 70240057 12K---1/4W--5%---CF--T&R
 R124

2 1N4003 1N4003 70464003 1N4003 200V SILICON DIODE
 CR101, CR102

2 220K 220K 70240036 220K--1/4W--5%---CF--T&R
 R107, R112

2 22K 22K 70240029 22K---1/4W--5%---CF--T&R
 R103, R113

1 22KW1 22KW1 70210005 22K---1W---5%---MO--T&R
 R109

1 4.7K 4.7K 70240023 4.7K--1/4W--5%---CF--T&R
 R119

1 470 470 70240015 470---1/4W--5%---CF--T&R
R110

1 470K 470K 70240038 470K--1/4W--5%---CF--T&R
R111

1 5.62KP1 5.62KP1 70241008 5.62K-1/4W--1%---MF--T&R
R123

2 500STW 70901859 70901859 SPCR,R,TA-40X1/2,SW,AL,ST
M1, M2

4 68K 68K 70240032 68K---1/4W--5%---CF--T&R
R100, R108, R116, R120

2 6L6GCA 6L6GCA 70806604 6L6GC VAC TUBE W/INS SOCKET 70806627
V6, V7

1 CAB0133 70600133 70600133 10C PRE-TIN .156 - 5" CONN.
P1

1 DPDT2321 DPDT2321 71322321 SWITCH, DPDT PCMNT SLIDE
S7

1 POT0256 71190256 71190256 10KB 9MM VPC S/K
VR19

1 RA3C RA3C 73719110 3 PIN R/A HEADER .312 W/FRICTION LOCK
P2

2 SR2873 SR2873 70402873 SR2873 2KV, 250MA SILICON DIODE
CR100, CR103

1 WJ8BK3SR WJ8BK3SR 91090520 BK--18G--3"CPT/250 RA SPD
J2

1 WJ8BK5SP WJ8BK5SP 91090506 BK-18G-5"-CPT-250SPD/RA
J1

1 WJ8BK6FM WJ8BK6FM 91103769 BLACK 6" 18GA CPT W/FEMALE CONTACT PIN
J6

1 WJ8RD6FM WJ8RD6FM 91103768 RED 6" 18GA CPT W/FEMALE CONTACT PIN
J7

* END OF BILL OF MATERIALS REPORT *
