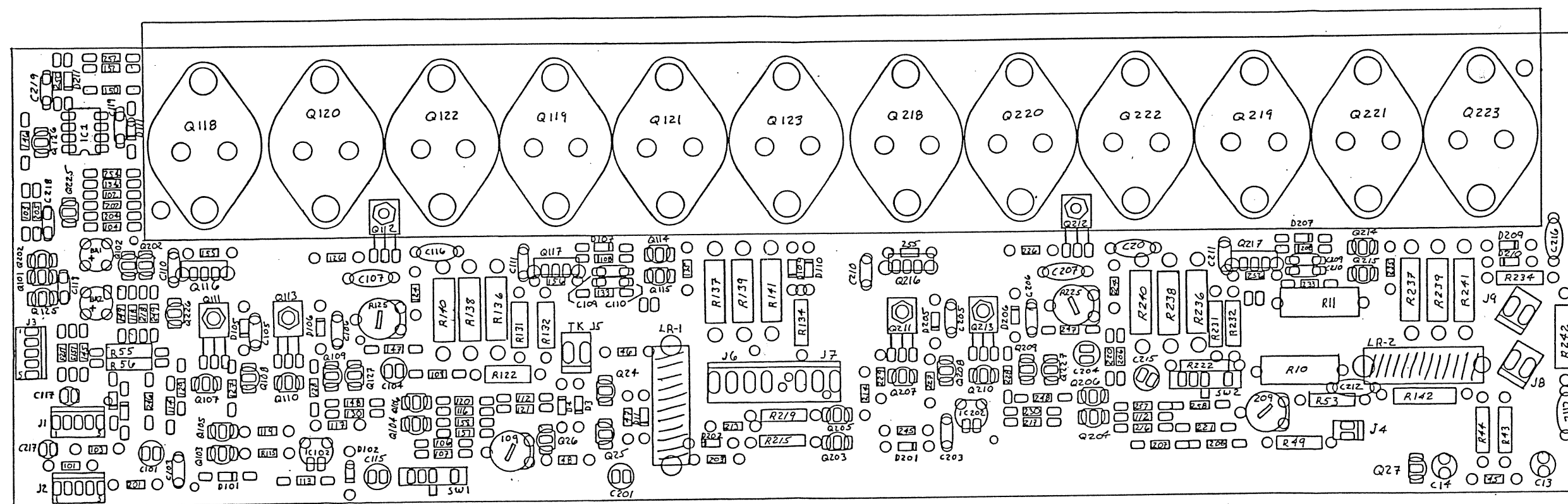


NOTES: UNLESS OTHERWISE SPECIFIED  
 1. ALL RESISTORS ARE IN OHMS,  $\frac{1}{4}$  W 5%.  
 2. ALL CAPS ARE IN PICO FARADS.  
 3. CIRCUIT REF. NUMBERS: 100 SERIES, CH ONE  
 200 SERIES, CH TWO  
 0-99, COMMON TO BOTH CHANNELS

INPUT SENSITIVITY SWITCH

MODEL 1850/1830	MODEL 600A/422
A) R149 = .775V	A) R149 = .775V
B) R150 = 1V	B) R150 = 1V
C) R121 = 1.5V	C) R121 = 1.5V

AB INTERNATIONAL
TITLE: DUAL CHANNEL BOARD
DATE: 11-12-92
ASSEMBLY NO: 562-674 REV. D



NOTES: UNLESS OTHERWISE SPECIFIED

1. ALL RESISTORS ARE IN OHMS, 1/4W 5%
2. ALL CAPS ARE IN PICO FARADS
3. CIRCUIT REF. NUMBERS: 100 SERIES, CH ONE  
200 SERIES, CH TWO  
8-99, COMMON TO BOTH CHANNELS

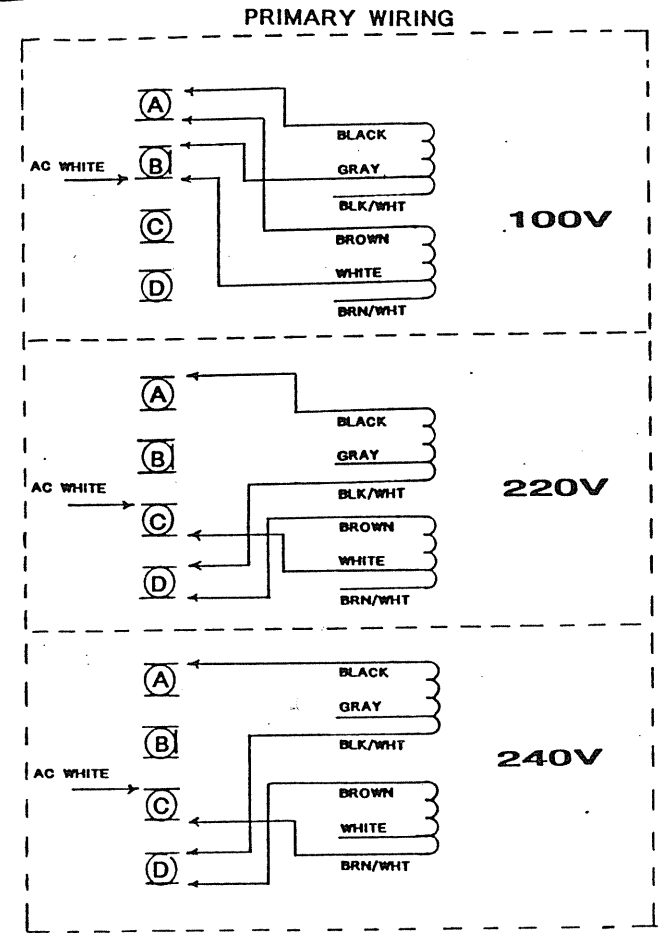
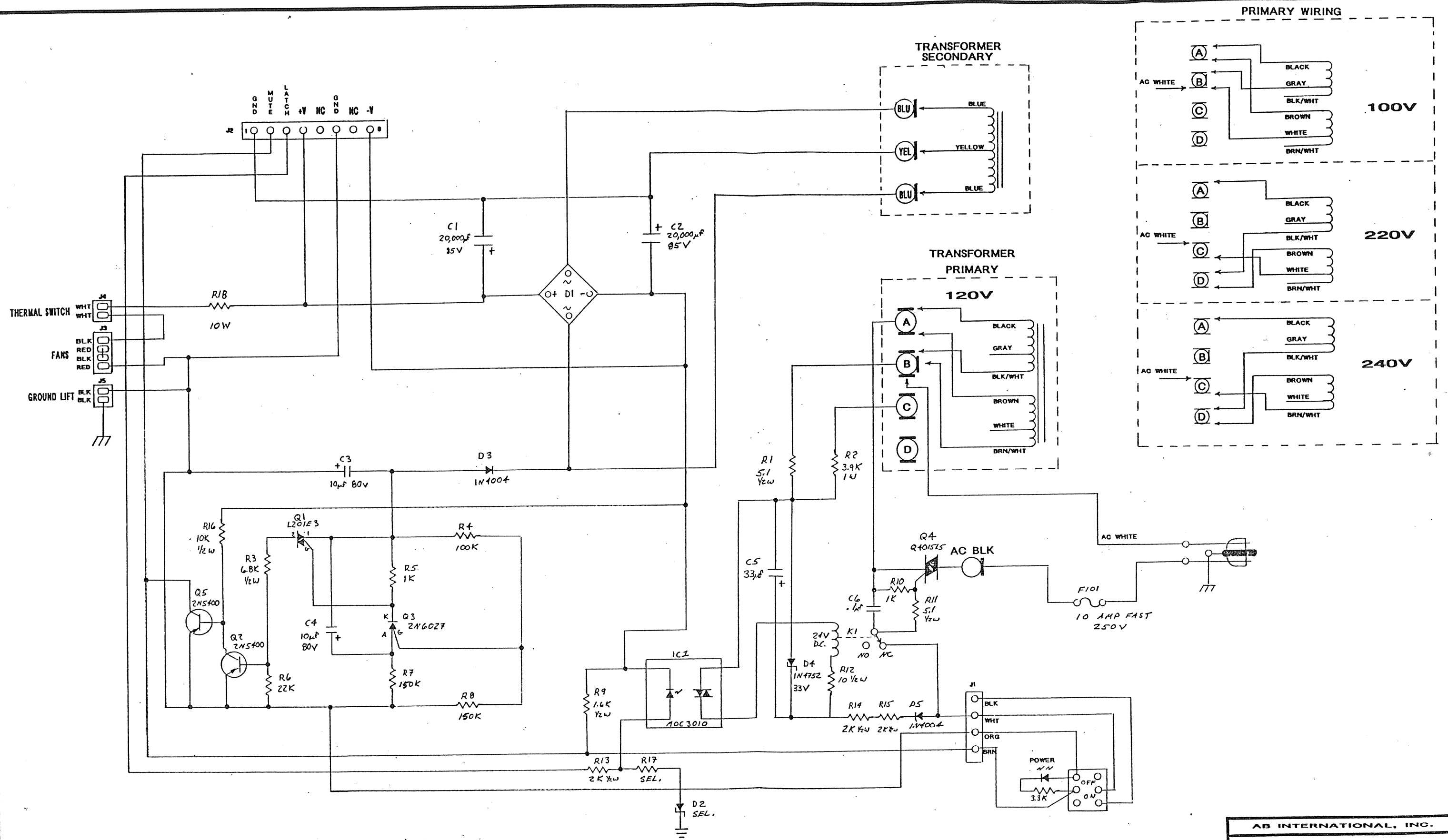
AB INTERNATIONAL INC.

TITLE: DUAL CHANNEL BOARD

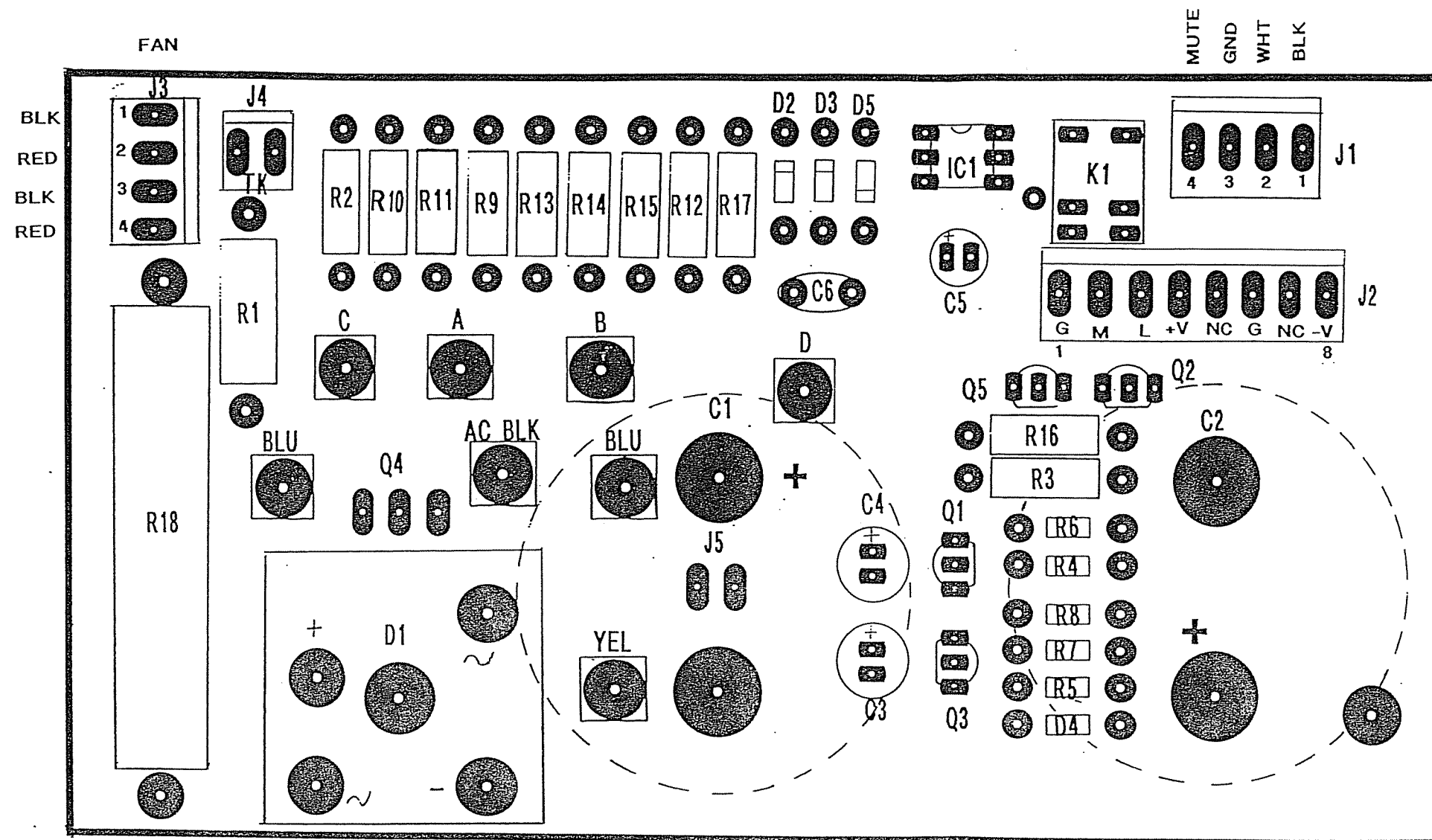
DATE: 11-12-82

ASSEMBLY NO: 502-574

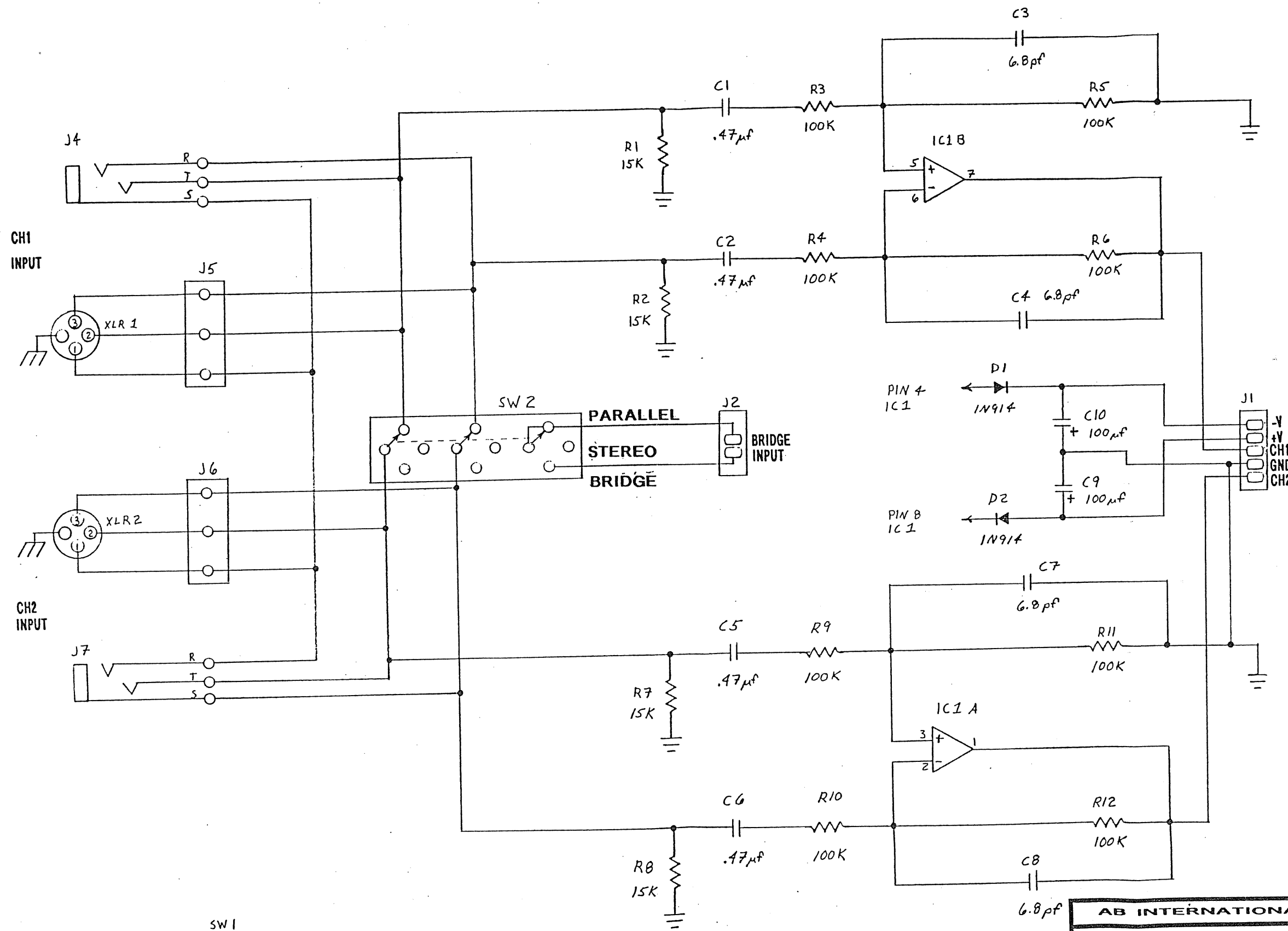
REV. D



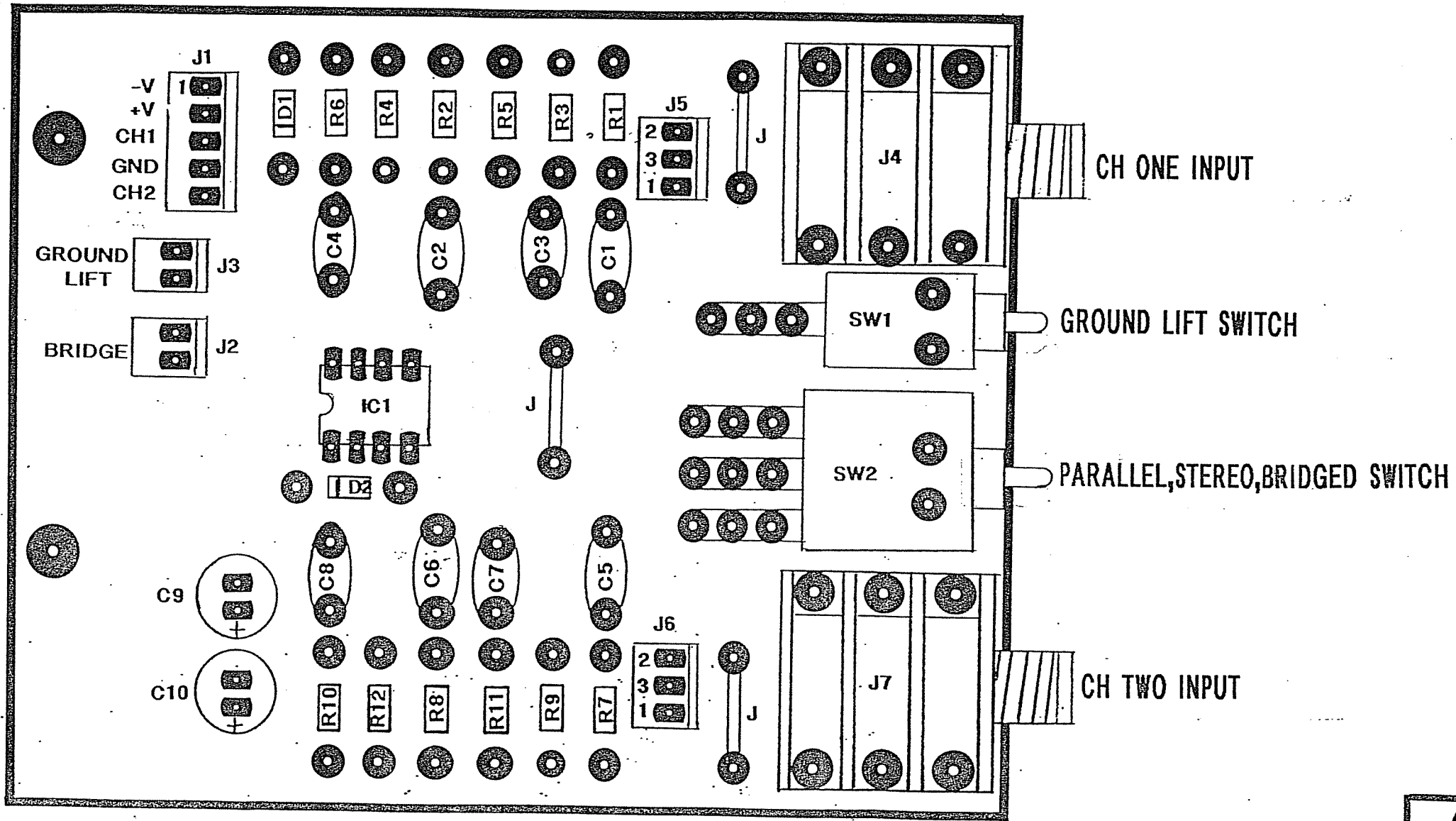
**AB INTERNATIONAL, INC.**  
 TITLE: POWER SUPPLY SCHEMATIC  
 MODEL: PRO SERIES MODELS 1450/1650  
 DATE: 12-17-92  
 ASSY. NO. 582-718



**AB INTERNATIONAL, INC.**  
 TITLE: POWER SUPPLY ASSY.  
 MODEL: PRO SERIES 1450 / 1650  
 DATE: 12-17-92  
 ASSY. NO. 502-718      REV. A



AB INTERNATIONAL, INC.  
 TITLE: INPUT PCB SCHEMATIC  
 MODEL: PRO SERIES 500 / 800  
 DATE: 12-18-92  
 ASSY. NO.: 502-719



**AB INTERNATIONAL, INC.**  
**TITLE: INPUT PCB ASSY.**  
**MODEL: PRO SERIES 500 / 800**  
**DATE: 12-18-92**  
**ASSY. NO. 502-719** **REV. A**