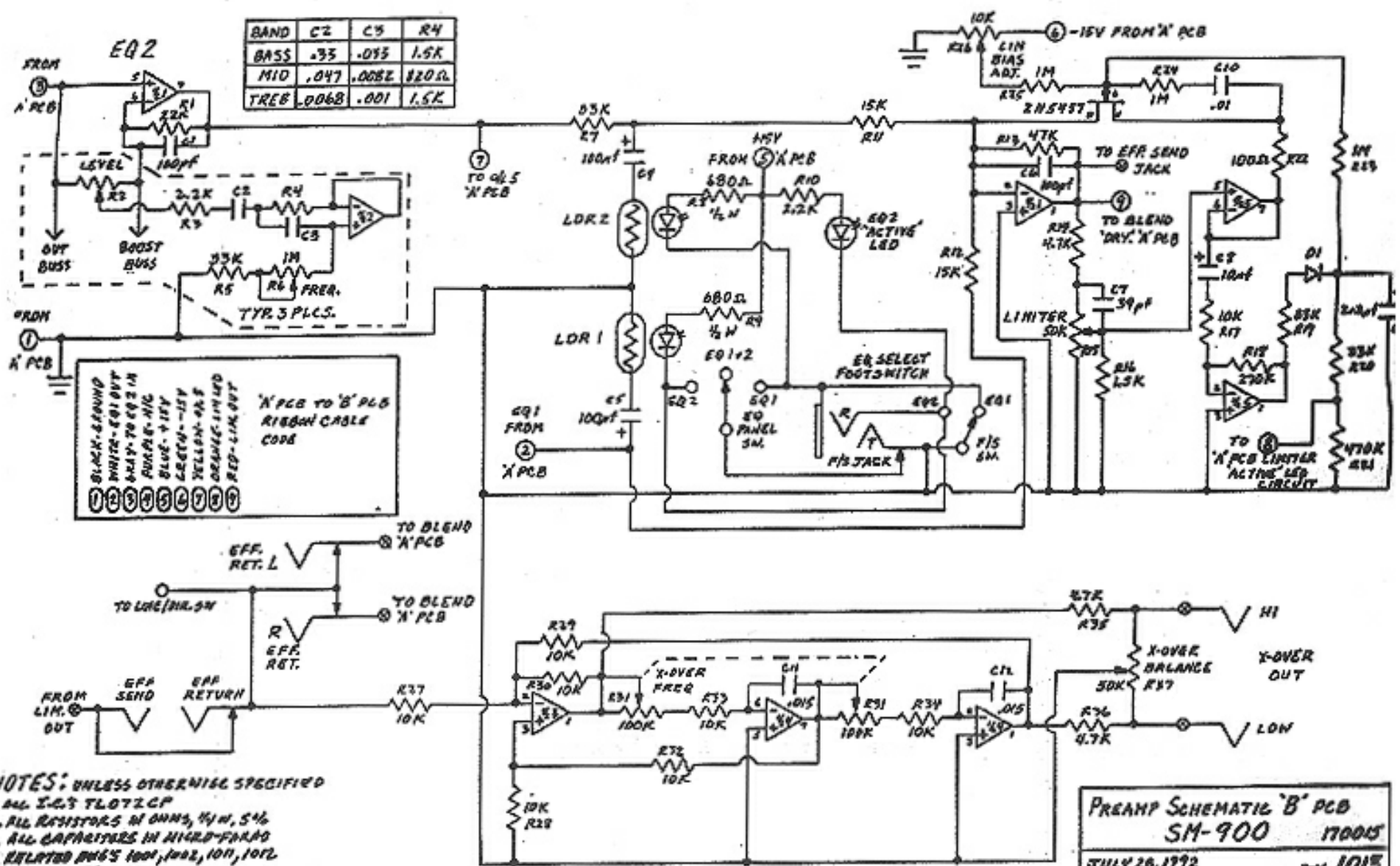


EQ1 VALUES

BAND	C'A'	C'B'	R'A'
BASS	.33	.033	1.5K
MID	.047	.0047	620Ω
TREB	.0068	.001	1.5K

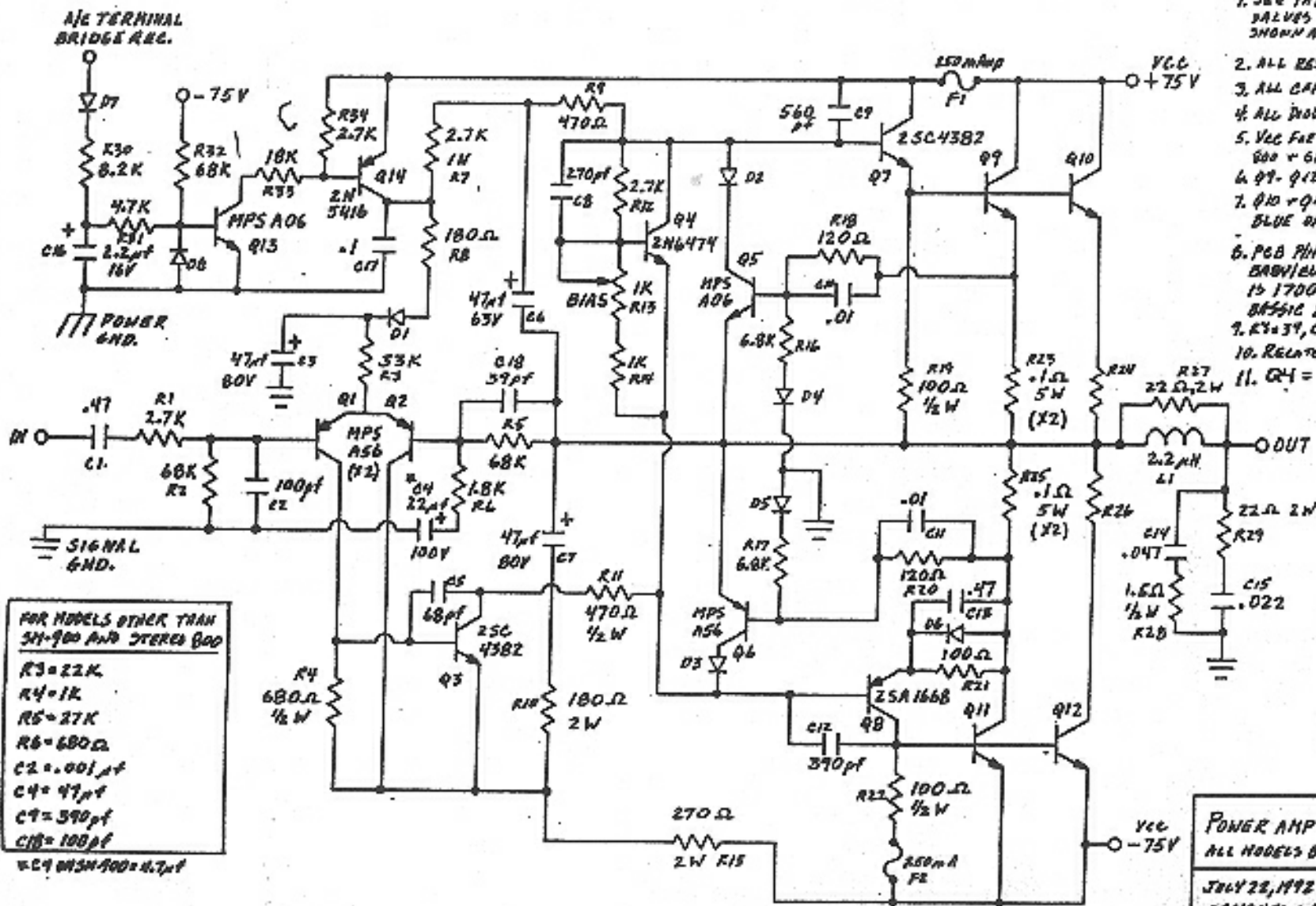
NOTES: UNLESS SPECIFIED OTHERWISE,
 1. RELATED DMM'S - 1001, 1002, 1011, 1013
 2. ALL I.C.'S TLO72 C.P.
 3. ALL RESISTORS 1/4W, 5%, IN OHMS.
 4. ALL CAPS IN MICRO-FARAD.
 5. ALL DIODES IN 914.
 6. (X) INDICATES A TO D PCB CHANG.
 7. (O) INDICATES PCB TO CROSSIS CHANG.
 8. R30, C15, C17, S.C.S. 19

**PREAMP SCHEMATIC 'A' PCB
 SM-900 170014**
 JULY 24, 1992
 DES. + DMM BY: S. W. FROE DMM# 1012
 SNR ENG., INC. 818-878-3336



NOTES: UNLESS OTHERWISE SPECIFIED
 1. ALL I.C.'S TLO72CP
 2. ALL RESISTORS IN OHMS, 1/4W, 5%
 3. ALL CAPACITORS IN MICRO-FARAD
 4. RELATED VALUES 1001, 1002, 1011, 1012
 5. ALL DIODES 1N914
 6. Ⓢ INDICATES PCB TO CHASSIS CONNECTION
 7. Ⓢ INDICATES 'A' TO 'B' PCB CONNECTION
 8. 25-57, C4-12, D-1

PREAMP SCHEMATIC 'B' PCB
 SM-900 170015
 JULY 26, 1972 Dwg. 1013
 DESIGNED & DRAWN BY: S.W. RABB
 SNE. ENG., INC.



A/E TERMINAL
BRIDGE REC.

POWER
GND.

SIGNAL
GND.

FOR MODELS OTHER THAN
5M-900 AND STEREO 800

- R3 = 22K
- R4 = 1K
- R5 = 27K
- R6 = 680Ω
- C2 = .001μf
- C4 = 47μf
- C9 = 390μf
- C18 = 100μf
- C9 ON 5M-900 = 47μf

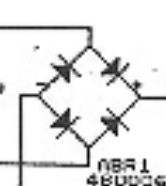
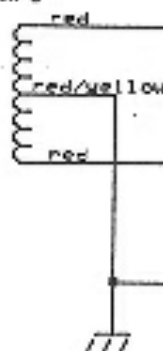
NOTES: UNLESS OTHERWISE
SPECIFIED:

1. SEE TABLE FOR ALTERNATE R+C VALUES FOR OTHER MODELS. VALUES SHOWN ARE FOR STEREO 800, 5M-900.
2. ALL RESISTORS IN OHMS, 4W, 5%.
3. ALL CAPACITORS IN MICRO-FARAD.
4. ALL DIODES IN 400V.
5. VCC FOR MODELS OTHER THAN STEREO 800 + 5M-900 = ± 60VDC.
6. Q9 - Q12 = 2SC 3264 (BANKED ONLY).
7. Q10 + Q12 NOT ON BODY/ELECTRIC BLUE OR BASSIC BLACK.
8. PCB FIN FOR ALL MODELS EXCEPT BROWN/ELECTRIC BLUE + BASSIC BLACK IS 170010. BODY BLUE - 170008. BASSIC BLACK - 170013.
9. R25, R26, R27, R28, R29, R30, R31, R32.
10. RELATED TUNING 1002, 1003
11. Q4 = 2SC 3834 after 1/25/98

POWER AMP SCHEMATIC 1011
ALL MODELS BUILT AFTER JUNE, 1992
JULY 22, 1992
DESIGNED + OWN. BY: S. H. RADC
SWR ENG, INC. 80-82-3336

Transformer
Secondary

AXF1



C1
6800uF
50V

C2
6800uF
50V

C3
6800uF
50V

C4
6800uF
50V

R1
1.1K
5W

R2
1.1K
5W

R3
1.1K
5W

R4
1.1K
5W

D1
1N4004

D2
1N4737A

D3
1N4737A

D4
1N4737A

D5
1N4737A

D6
1N4004

+75 VOLTS

+15 VOLTS

-15 VOLTS

-75 VOLTS

SHR SOUND CORPORATION-

9130 Glendoka Blvd.

Sun Valley, CA 91352

PHONE:(010) 253-4797

FAX:(010) 253-4799

<http://www.surehq.com>

Title

Power Supply Filter Board - SM-300

Size Document Number

A 700024

REV

A

Date: July 1, 1995 Sheet 1 of 1