

F	C109 was 1 of 50W. Added C238, 240, R110, D22. Removed TP44.
E	L3 & L4 were SD2520PT-A, TP45 & Z3 were TP7A3. Added Extra mounting hole. Updated BREQ3.7 Footprints.
D	Added J1, J4, C200237, R106109. Removed S10, L2, L3, L4, L5. R01 was 470K, C121 was 1 of 0.05, R08 was 100K, C3, 7, 8, 9 were 100uf. 1 of V, R25 was 22K, R24 was 3K. Corrected J1 footprint. Changed mounting of Q1 L&R12 & IC10&12, C56 & RT1. Removal, C123 added. Fan controller circuitry added.
C	Start Circuit Redesign and Relayout
B	Regulator controls redesigned and Relayout
A	First Issue

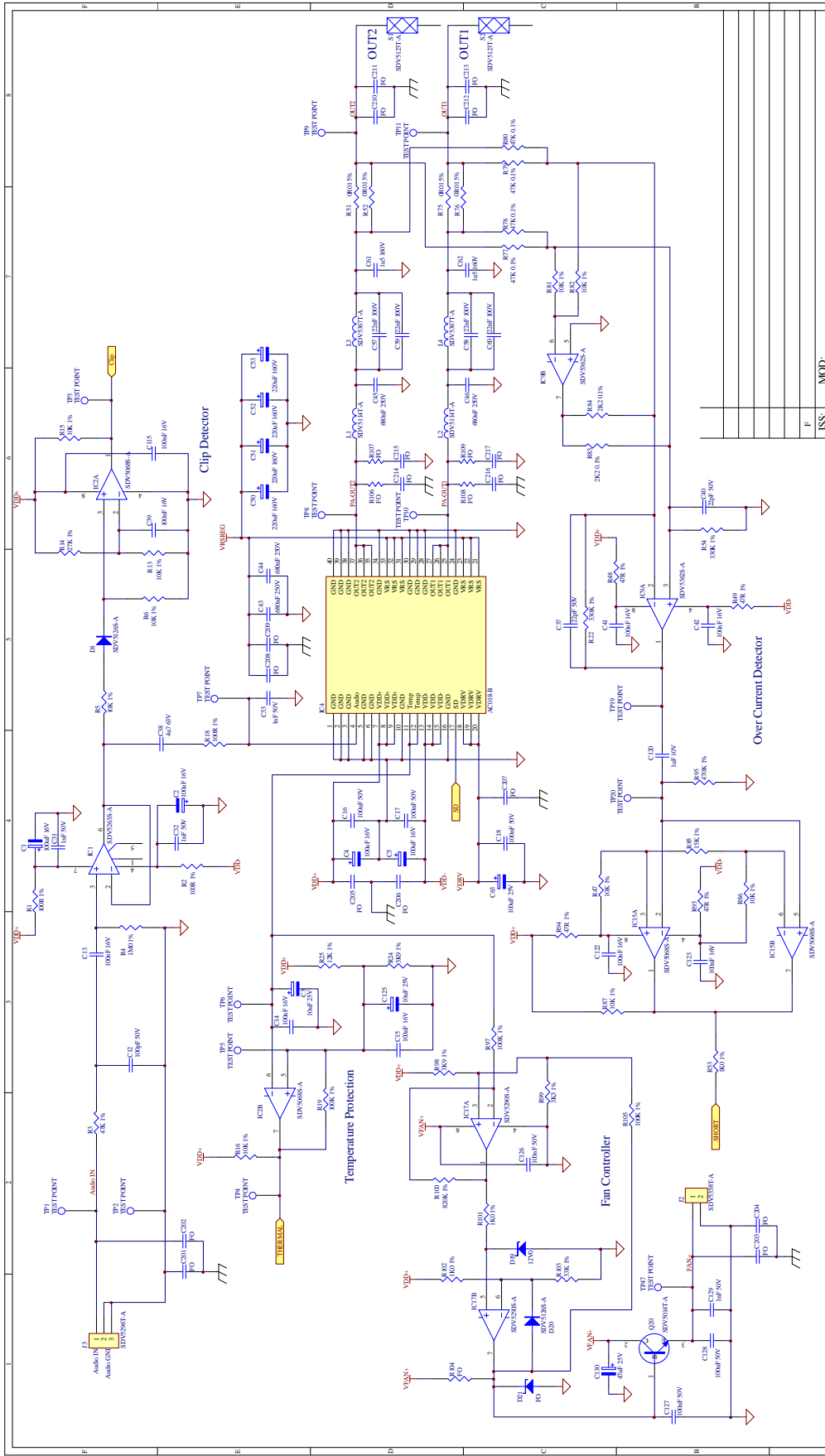
DRG FILENAME: AC019-IF-Sch	
PL FILENAME:	
DATE: 29-Aug-2006	DRWN: T.G

THIS DRAWING IS THE PROPERTY OF SML AND MAY NOT BE REPRODUCED OR COMMUNICATED TO A THIRD PARTY WITHOUT SML'S WRITTEN CONSENT

DESCRIPTION:
Peavey 600W Interface Board

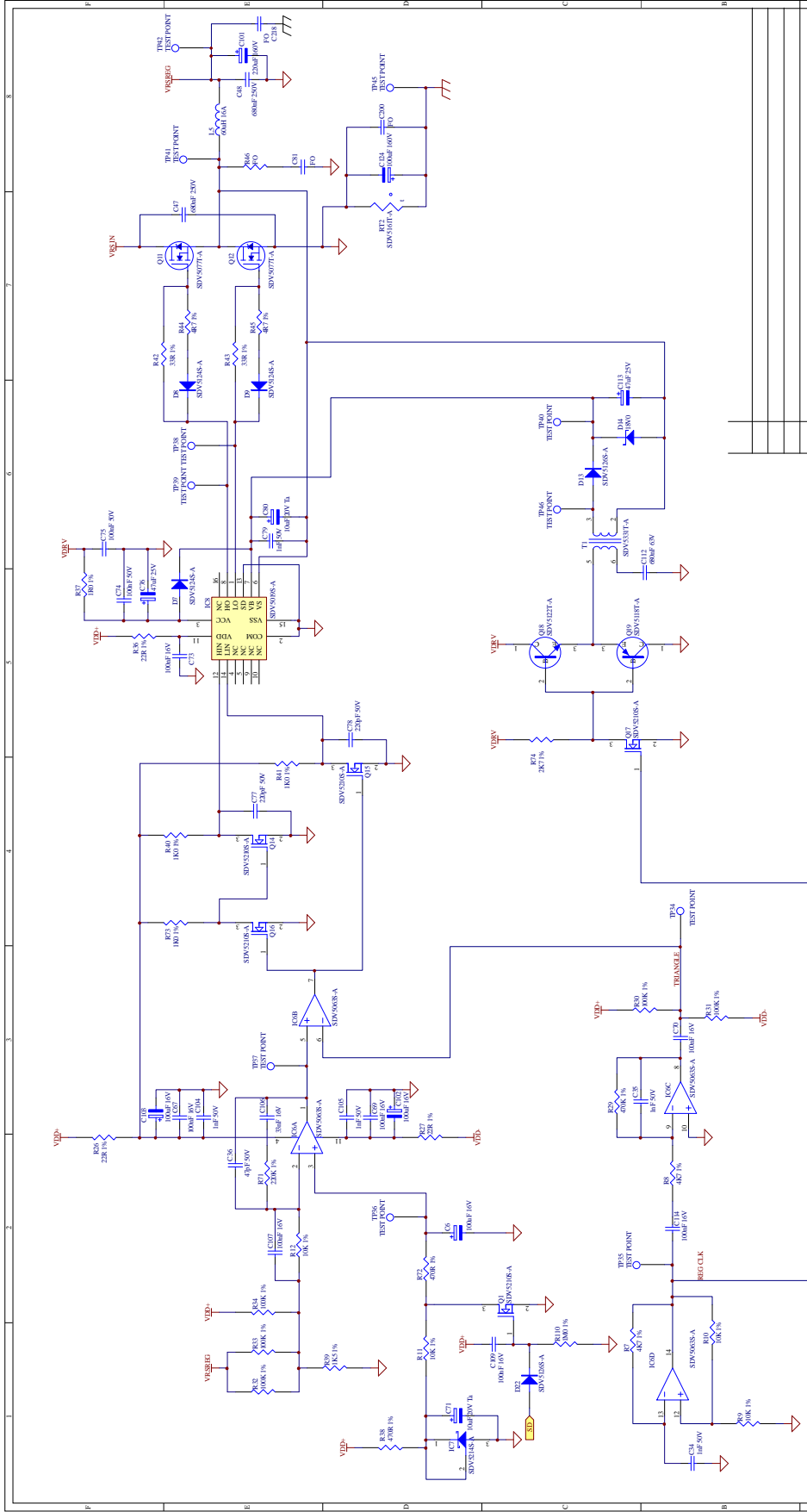
DRG No.:
AC019

SHEET:
1 OF 4

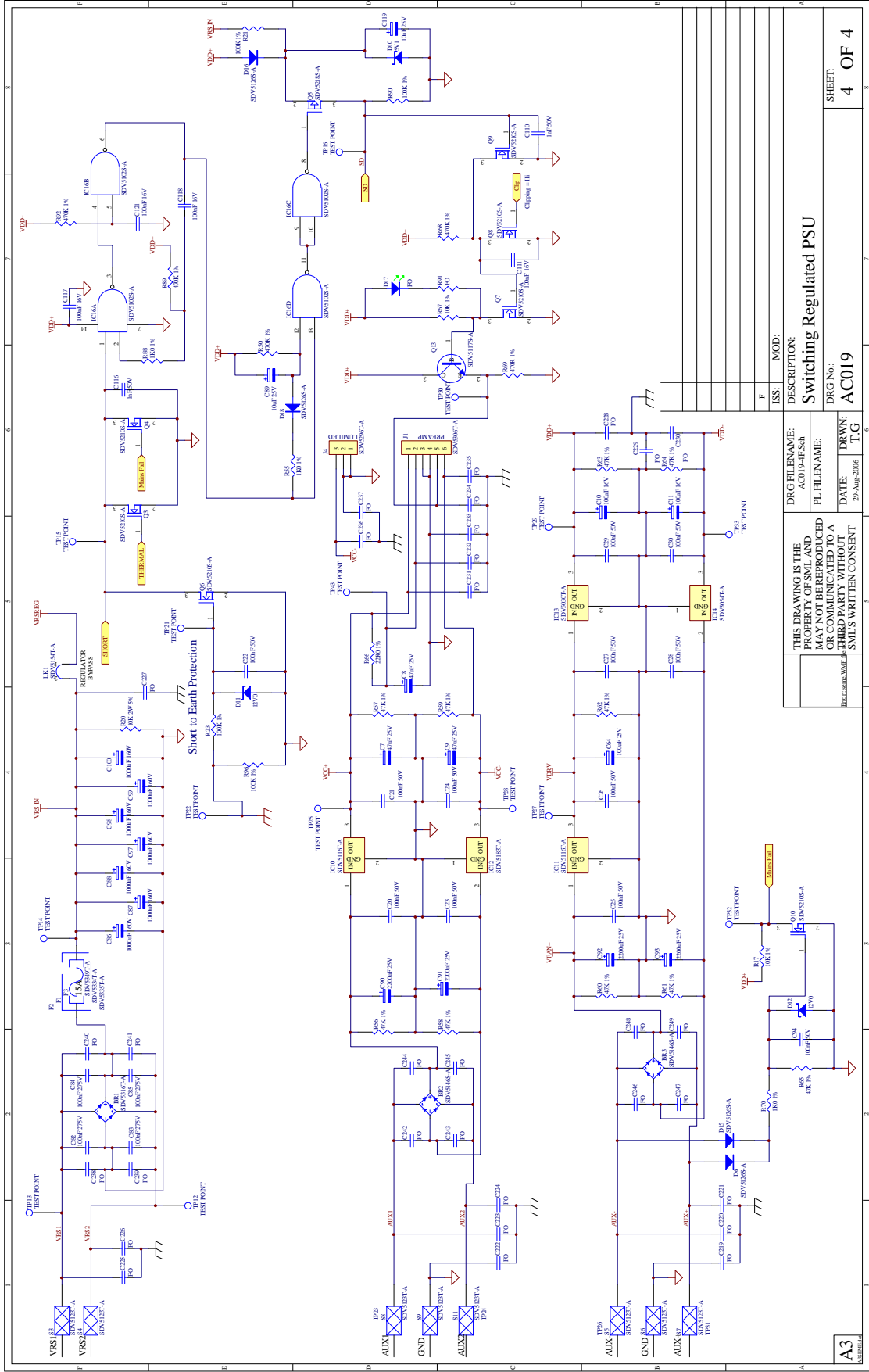


DRG FILENAME: AC019-2E.Sch		DESCRIPTION: 600W Module Interface	
PL FILENAME:		DRG No.:	
DATE: 29-Aug-2006		AC019	
DRWN: T.G		SHEET: 2 OF 4	
ISS:		MOD:	
F:			

THIS DRAWING IS THE PROPERTY OF SML AND MAY NOT BE REPRODUCED OR COMMUNICATED TO A THIRD PARTY WITHOUT SML'S WRITTEN CONSENT



DRG FILENAME: AC019-3E.Sch		MOD:	
PL FILENAME:		ISS:	
DATE:		DRWN:	
29-Aug-2006		T.G	
THIS DRAWING IS THE PROPERTY OF SMI AND MAY NOT BE REPRODUCED OR COMMUNICATED TO A THIRD PARTY WITHOUT SMI'S WRITTEN CONSENT		DESCRIPTION: Switching Regulated PSU	
DRG No.:		SHEET:	
AC019		3 OF 4	



DRG FILENAME: AC019-HE.Sch		DESCRIPTION: Switching Regulated PSU	
PL FILENAME:		DRG No.: AC019	
DATE: 29-Aug-2006		DRWN: T.G	
THIS DRAWING IS THE PROPERTY OF SML AND MAY NOT BE REPRODUCED OR COMMUNICATED TO A THIRD PARTY WITHOUT SML'S WRITTEN CONSENT		SHEET: 4 OF 4	