



Washburn Vintage Series Amplifiers

Guitar Amplifiers:
Models VGA 15 and VGA 30

Bass Amplifiers:
Models VBA 15 and VBA 30

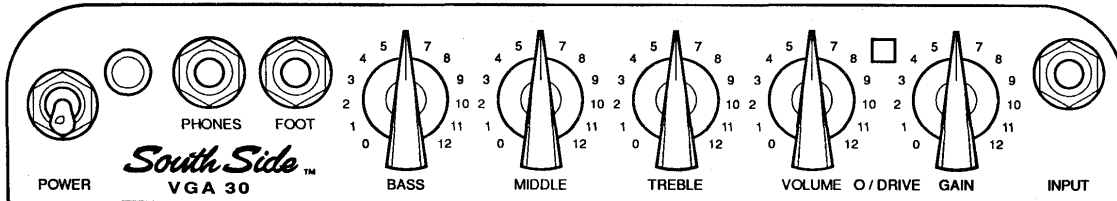
Service Manual

60060000



Washburn Vintage Style Guitar Amplifiers

The *South Side*™



VGA 15 and VGA 30 CHASSIS LAYOUT

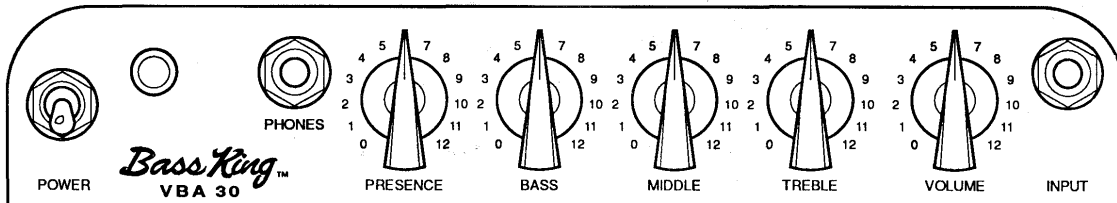
WARM SOUND

- Compact, closed back cabinets
(VGA 15: 12 x 15 x 7") (VGA 30: 14 x 16.5 x 8.5")
- Slant faced cabinet is specially ported for vintage sound speaker. (VGA 15: 8") (VGA 30: 10")
- Bass, middle and treble equalization.
- Powerful, solid state amplifiers.
(VGA 15: 15 Watt) (VGA 30: 30 Watt)
- Master volume, gain and overdrive controls.
- Input, footswitch and headphone jacks.

VINTAGE STYLING

- Traditional tweed Tolex covering.
- Baked enamel, "Chicken Head" knobs.
- Embossed metal, antique bronze Washburn "crown" logo plate.
- Woven, brown and black grille cloth.
- Chrome control panel and hardware.
- Heavy duty, chrome toggle switch.

The *Bass King*™



VBA 15 and VBA 30 CHASSIS LAYOUT

WARM SOUND

- Compact, closed back cabinets
(VBA 15: 14 x 16.5 x 8.5")
(VBA 30: 16 x 17.5 x 10.5")
- Slant faced cabinet is specially ported for vintage sound speaker. (VBA 15: 10") (VBA 30: 12")
- Bass, middle and treble equalization.
- Powerful, solid state amplifiers.
(VBA 15: 15 Watt) (VBA 30: 30 Watt)
- Volume and presence controls.
- Input, footswitch and headphone jacks.

VINTAGE STYLING

- Traditional tweed Tolex covering.
- Baked enamel, "Chicken Head" knobs.
- Embossed metal, antique bronze "crown" logo plate.
- Woven, brown and black design grille cloth.
- Chrome control panel and hardware.
- Heavy duty, chrome toggle switch.

Great Sound, Vintage Looks
Washburn Quality!

Washburn Vintage Series Amplifiers

Parts List

Part Number	Description	Location	Quantity			
			VGA 15	VGA 30	VBA15	VBA 30
11110004	Steel Corner - Chrome	Corner	6	6	6	6
11120001	Large Rubber Foot	Cabinet bottom	4	4	4	4
11140005	Large Handle - Chrome	Cabinet	1	1	1	1
11150005	WASHBURN Logo	Cabinet	1	1	1	1
11330001	M3 nut	Heat Sink	1	1	1	1
11330002	Furanch nut M4	Power Transformer,	10	10	10	10
	"	Heat Sink, Ground,				
	"	and Speaker				
11900006	Flat washer 4 FIE	Ground	2	2	2	2
15930002	8" Speaker 4 Ohm	Loudspeaker 1	1			
15930001	10" Speaker 4 Ohm	Loudspeaker 1		1		
15930002	10" Speaker 8 Ohm	Loudspeaker 1			1	
15930003	12" Speaker 8 Ohm	Loudspeaker 1				1
30001017	M3 X 8 Screw	I C Heat Sink	1	1		
30001018	3.5 X 12 Screw	Corner	12	12	16	16
30001019	M4 X 25 Screw	Chassis	6	6	6	6
30001020	M4 X 30 OH Screw	Handle	2	2	2	2
30001028	3.5 X 35 Screw	Grill, Back Panel		6	6	
30001021	3.5 X 30 Screw	Grill, Back Panel 10	12			
30001022	3.5 X 15 Screw	Clamp	1	1	1	1
30001023	2X6 Gold Screw	Washburn Logo	2	2	2	2
30001024	M4 X 6 Screw	Power Transformer	4	4	4	4
	"	Heat Sink				
30001025	M4 X 8 Screw	Ground	2	2	2	2
30001026	T1 BK 3.5 X 18 Screw	Foot	4	4	4	4
30001027	T2 3 x 6 Screw	Transformer	2	2	2	2
30200004	47pF 50WV K Ceramic Cap	C2,3,5,116,117			5	5
30200005	330P 50WV K Ceramic Cap	C6			1	1
30200006	100P 50WV K Ceramic Cap	C102,123	2	2		
30200007	220P 50 WV K Ceramic Cap	C103,113	2	2		
30200008	103S 50WV K Ceramic Cap	C106	1	1		
30200009	103 400V AC rated C/Cap	Power Switch	1	1	1	1
30210005	2200uF 25WV Electrolytic Cap	C120,121			2	
	"	C127,128	2			
30210010	2200uF 35WV Electrolytic Cap	C127,128		2		
	"	C120,121				2
30210006	220uF 16WV Electrolytic Cap	C123,124,125,126	2	2	2	2
30210007	47uF 25WV Electrolytic Cap	C118			1	1
30210008	4.7uF 50WV Electrolytic Cap	C107,22,115	1	1	2	2
30210009	1uF 50WV Electrolytic Cap	C4,9,11,114,121	1	1	4	4
30210012	22uF 50WV Electrolytic Cap	C122	1	1		
30220006	473 100WV K or J Mica Cap	C8			1	1
30220005	472 50WV K or J Mica Cap	C109	1	1		
30220006	683 100WV K or J Mica Cap	C119			1	1
30220007	683 50WV K or J Mica Cap	C112	1	1		
30220008	104 100WV K or J Mica Cap	C1,7			2	2
30220002	104 50 WV K or J Mica Cap	C104,111	2	2		
30220000	223 50WV K or J Mica Cap	C101	1	1		
30220009	224 100WV K or J Mica Cap	C10,12			2	2
30220001	224 50Wv K or J Mica Cap	C105,110,124	3	3		
30220003	154 50WV K or J Mica Cap	C108	1	1		
30300000	KTC 1815GR (3198) Transistor	Q101,102,103,105			4	4
30300001	KTA 1015GR (1266) Transistor	Q102,103	2	2		
	"	Q104,107			2	2
30310008	KTD2058Y Transistor	Q106, Q108			2	

Washburn Vintage Series Amplifiers

Parts List

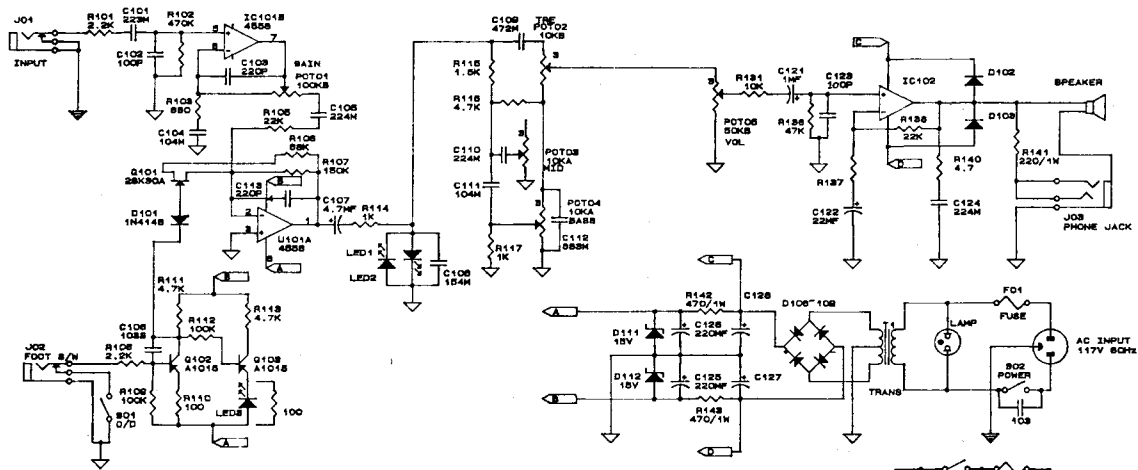
Part Number	Description	Location	Quantity			
			VGA 15	VGA 30	VBA 15	VBA 30
30310009	KTD2059Y Transistor	Q106,108				2
30330004	K30A Y OR GR Transistor	Q101	1	1		
30400009	KIA 4558P IC	I101	1	1	1	1
30440003	TDA2030A	I102	1			
30440004	TDA2050A	I102		1		
30710012	B10K Potentiometer	Pot 03 Mid			1	1
	"	Pot 02 Treble	1	1		
30710014	C10K Potentiometer	Pot 04 Preamp			1	1
30710605	B50K Potentiometer	Pot 05 Volume	1	1	1	1
30710900	B250K Potentiometer	Pot 01 Treble			1	1
30710901	A250K Potentiometer	Pot 02 Bass			1	1
30710013	A10K Potentiometer	Pot 03 Mid	1	1		
	"	Pot 04 Bass	1	1		
30710810	B100K Potentiometer	Pot 01 Gain	1	1		
30810000	500mA 250 volt Fuse - USA	Fuse 1	1		1	
30810001	T250mA 250 volt Fuse - Europe	Fuse 1	1		1	
30810003	1A 250 volt Fuse - USA	Fuse 1		1		1
30810002	T500 mA 250 volt Fuse - Europe	Fuse 1		1		1
30890002	Fuse Holder 31.8mm - USA	F1 Panel Type	1	1	1	1
30890003	Fuse Holder 20mm - Europe	F1 Panel Type	1	1	1	1
30990000	C2820 Lamp		1	1	1	1
31050007	6.3 FIE Mono Jack	Input	1	1	1	1
31060003	6.3 FIE Stereo Jack	J02 Headphone	1	1	1	1
31110021	SKT-15702U Transformer - 120v	T 1			1	
31110025	SKT-15702E Transformer - 230v	T 1			1	
31110019	SKT-15413U Transformer - 120v	T 1	1			
31110023	SKT-15413E Transformer - 230v	T 1	1			
31110022	SKT-16015U Transformer - 120v	T 1				1
31110026	SKT-16015E Transformer - 230v	T 1				1
31110020	SKT-15714U Transformer - 120v	T 1		1		
31110024	SKT-15714E Transformer - 230v	T 1		1		
31200005	6.5 FEET AC Cord - USA		1	1	1	1
31200006	6.5 FEET AC Cord - Europe		1	1	1	1
31210002	Strain Relief 5NR/16	AC Cord	1	1	1	1
31460000	Power Switch	S2 (S1 - VBA)	1	1	1	1
31400011	Drive switch SPDT push button	S1	1	1		
31514002	1N4002 Diode	D105-108			4	
	"	D102,103,106-109	6			
31514148	1N4148 Diode	D101,102	1	1	2	2
31515403	1N5403	D105-108				4
	"	D106-109		4		
31520003	15V 0.5W Zener diode	D103,104,111,112	2	2	2	2
31701012	Vintage control knob	Control panel	5	5	5	5
31763000	Square switch knob - Black	Control panel	1	1		
32119000	4N Wire clamp	AC CORD	1	1	1	1
16400000	Preamp PCB - VGA15/30	Control panel	1	1		
16400001	Preamp PCB - VBA15/30	Control panel			1	1
16410000	Power amp PCB - VGA15	Chassis	1			
16410001	Power amp PCB - VGA30	Chassis		1		
16410002	Power amp PCB - VBA15	Chassis			1	
16410003	Power amp PCB - VBA30	Chassis				1

Washburn Vintage Series Amplifiers

Parts List

Part Number	Description	Location	Quantity			
			VGA 15	VGA 30	VBA15	VBA 30
<u>The following items should be available through local electronic parts distributor</u>						
N/A	220 Ohm 1W 5%	R129			1	1
	"	R141	1	1		
N/A	0.5 Ohm 2W 5%	R126,127			2	2
N/A	470 Ohm 1W 5%	R131,132			2	2
	"	R137,142,143	2	3		
N/A	10 Ohm 0.5W 5%	R133			1	1
N/A	4.7 Ohm 1/4W 5%	R140	1	1		
N/A	56 Ohm 1/4W 5%	R122			1	1
N/A	100 Ohm 1/4W 5%	R110	1	1		
N/A	220 Ohm 1/4W 5%	R125,128			2	2
N/A	680 Ohm 1/4W 5%	R103,137	2	1		
N/A	1 K Ohm 1/4W 5%	R114,117	2	2		
N/A	1.5K Ohm 1/4W 5%	R11,120			2	
	"	R115	1	1		
N/A	2.2K Ohm 1/4W 5%	R32,123,124			3	3
	"	R101,108	2	2		
N/A	4.7K Ohm 1/4W 5%	R1,8,13,118			4	4
	"	R111,113,116	3	3		
N/A	10K Ohm 1/4W 5%	R4			1	1
	"	R131	1	1		
N/A	15K Ohm 1/4 5%	R27			1	1
N/A	18K Ohm 1/4W 5%	R119			1	1
N/A	22K Ohm 1/4W 5%	R9			1	1
	"	R105,138	2	2		
N/A	33K Ohm 1/4W 5%	R5			1	1
N/A	39K Ohm 1/4W 5%	R3			1	1
N/A	47K Ohm 1/4W 5%	R6,117,121			3	3
N/A	47K Ohm 1/4W 5%	R136	1	1		
N/A	68K Ohm 1/4W 5%	R106	1	1		
N/A	100K Ohm 1/4W 5%	R109,112	2	2		
N/A	150K Ohm 1/4W 5%	R107	1	1		
N/A	220K Ohm 1/4W 5%	R7			1	1
N/A	470K Ohm 1/4W 5%	R2			1	1
N/A	"	R102	1	1		
N/A	1M 1/4W 5%	R10			1	1

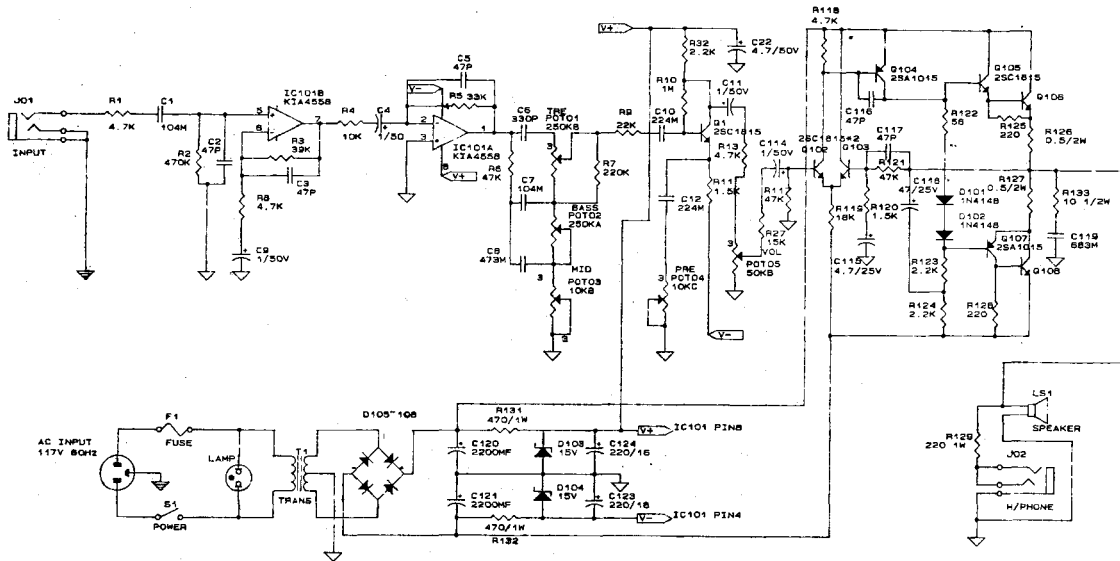
© Washburn International. All specifications subject to change.



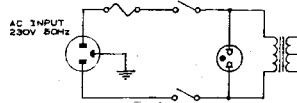
NOTE :

IC102	VGA15	VSA30
R137	TDA2080	TDA2050
C127	850	470
C128	2200/25	2200/35
D108-108	2200/25	2200/35
D102-102	1N4002	1N5408
F01	1N4002	NC
SPEAKER	800MA	1A
TRANS	1250MA	1500MA
	87.50HM	107.40HM
	3KT1541B	3KT1571A

Washburn Vintage Series Amplifier
BLOCK DIAGRAM: VGA15 / VGA30



- NOTE :
- | | |
|----------|-------------|
| VBA15 | VBA30 |
| D205B | D205B |
| 2200/25V | 2200/35V |
| 1N4002 | 1N6403 |
| 800MA | 1A 117V |
| T25DRA | T000MA 230V |
| 10" 60MM | 12" 80MM |



Washburn Vintage Series Amplifier
BLOCK DIAGRAM: VBA15 / VBA30



Washburn Vintage Series Amplifiers

Models: VGA 15, VGA 30, VBA 15, VBA 30

WARRANTY INFORMATION

Washburn electronic products are warranted to be free from defects in materials and workmanship under normal use for a period of three (3) years from the date of original retail purchase. Speakers are warranted for one (1) year from the date of purchase. During that period, Washburn will, at its option, repair or replace a defective product at no charge if the unit has been delivered to Washburn or to an Authorized Washburn Service Center together with the original sales receipt or other proof of purchase. DELIVERY and RETURN freight charges must be prepaid for warranty repair work.

This warranty excludes the exterior finish, normal wear and tear and failure due to abuse or operation outside of specified ratings. This warranty applies to the original retail purchaser only and gives the end user specific legal rights which vary from state to state.

IMPORTANT SAFEGUARDS

THESE WARNINGS APPLY TO ALL WASHBURN ELECTRONIC PRODUCTS. PLEASE READ AND OBSERVE ALL WARNINGS AND INSTRUCTIONS CONTAINED IN THIS SERVICE MANUAL AND THOSE ON YOUR WASHBURN PRODUCT PRIOR TO ITS USE.

WARNINGS AND SYMBOLS:



LIGHTNING FLASH: The lightning flash with an arrowhead within an equilateral triangle, is intended to alert the user of the presence of uninsulated **DANGEROUS VOLTAGE** within the product's enclosure that may be of significant magnitude to constitute risk of electric shock to persons.



EXCLAMATION POINT: The exclamation point within an equilateral triangle, is intended to alert the user of the presence of **IMPORTANT OPERATING AND MAINTENANCE OR SERVICE INSTRUCTIONS** in the literature accompanying the product.

WARNING GRAPHIC ON PRODUCT:



ATTENTION
RISQUE DE CHOC ELECTRIQUE NE PAS OUVRIR

PRECAUTIONARY WARNING:



RAIN AND MOISTURE: To reduce the risk of fire or electric shock, **DO NOT EXPOSE THIS UNIT TO RAIN OR MOISTURE.** Operators of electronic products should in no way be in contact with water.



GROUNDING: To prevent electric shock, **DO NOT DEFEAT THE 3 PRONG GROUNDING PLUG** on product's power cord. Do not use an adapter, extension cord or outlet unless the blades can be fully inserted to prevent blade exposure.

WARNING GRAPHIC ON PRODUCT:

CAUTION: TO PREVENT FIRE OR ELECTRICAL SHOCK, DO NOT EXPOSE TO RAIN OR MOISTURE

WASHBURN INTERNATIONAL

255 Corporate Woods Parkway Vernon Hills, IL 60061-3109 USA (708) 913-5511

WASHBURN[®]

What A Great Guitar Should Be