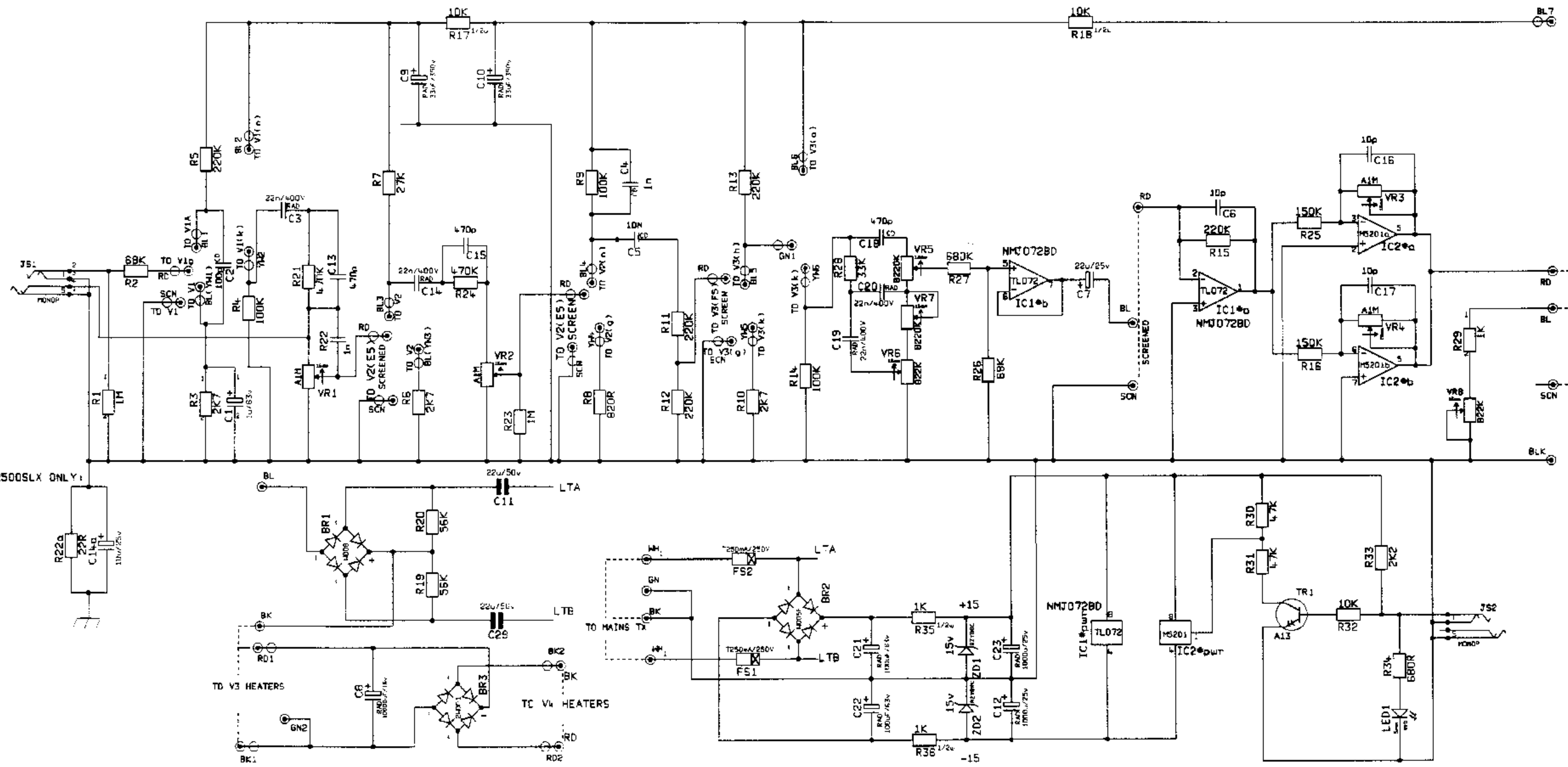
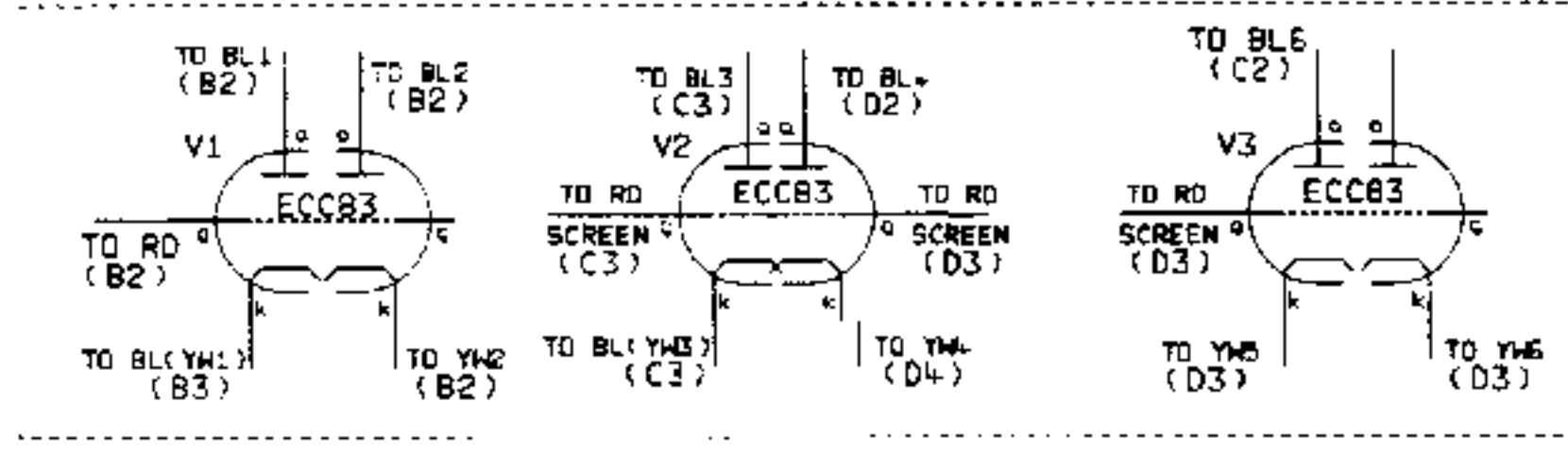
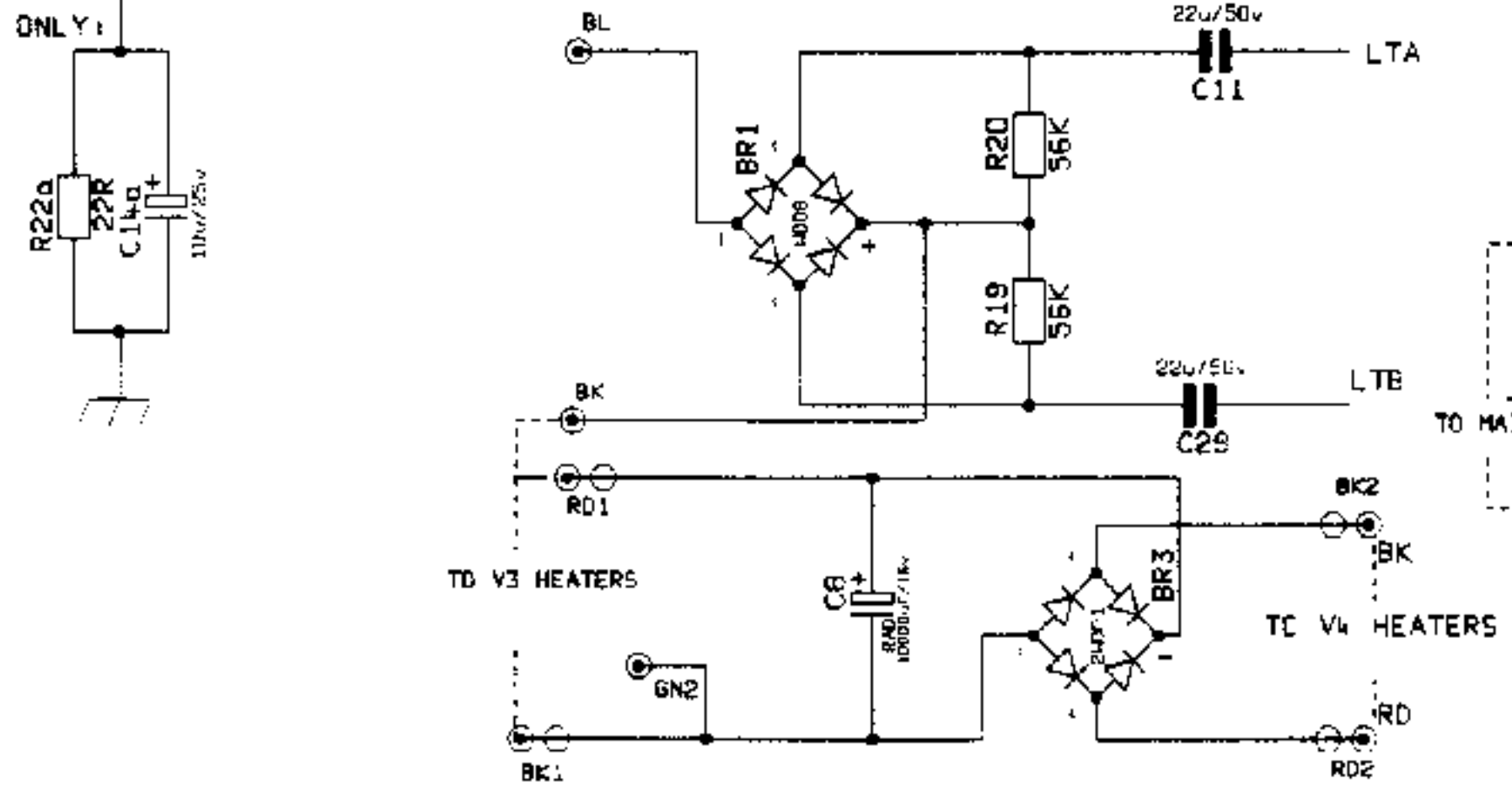


THIRD ANGLE PROJECTION



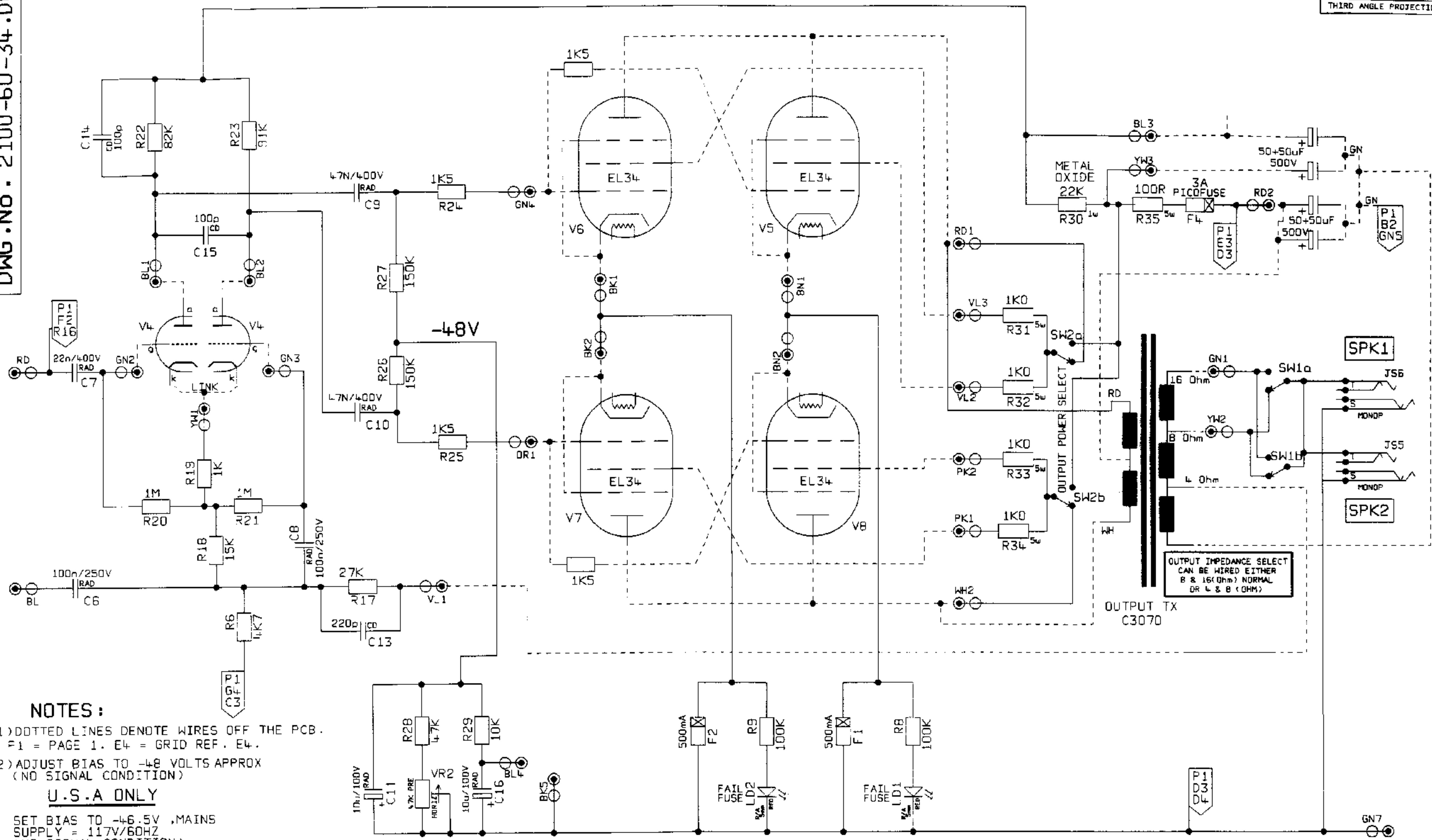
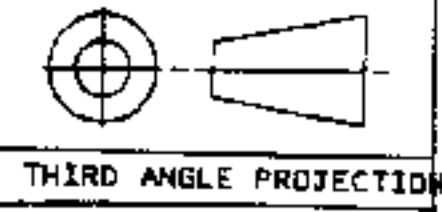
FOR 2500SLX ONLY:



NOTE
 ALL RESISTORS ARE 1/4W UNLESS OTHERWISE SPECIFIED
 DOTTED LINES DENOTE WIRES OF THE P.C.B.
 P1(D4) = TO PAGE 1 GRID LOCATION REF D4

ISS		ECO NUMBER		DATE		UNSPECIFIED HOLE DATA		MATERIAL		DIMENSIONS IN		TITLE	
5	0459	23/02/94	A	H				MATERIAL THICKNESS	TOLERANCE (UNLESS OTHERWISE STATED)			PRE AMP CCT A2	
4	0461	10/1/94	B	J			INTERNAL BEND RADIUS	DIMENSIONAL					
3	0428	09/11/93	C	K			EXTERNAL S/A	CENTRES					
2	0374	29/06/93	D	L			BEND DIE	ANGULAR	COPYRIGHT EXISTS ON THIS DOCUMENT. IT MUST NOT BE USED FOR ANY PURPOSE THAN THAT FOR WHICH IT IS SUPPLIED AND MUST NOT BE COPIED IN WHOLE OR IN PART WITHOUT WRITTEN PERMISSION FROM © MARSHALL APPLICATION PLC. DENBIGH ROAD, BLETCHLEY, MILTON KEYNES, MK: 10G. TEL (0908) 375411 FAX (0908) 376118		DWG.No. SLXa-61-02 ISSUE 5		
1	MANUFACTURE RELEASE	05/05/93	E	M			DRAWN T.FOY	DATE 05/05/93					MODEL
			F	N			CHECKED	DATE					2100SLX/2500SLX
			G	P			APPROVED	DATE					

EL34 VALVE TYPE

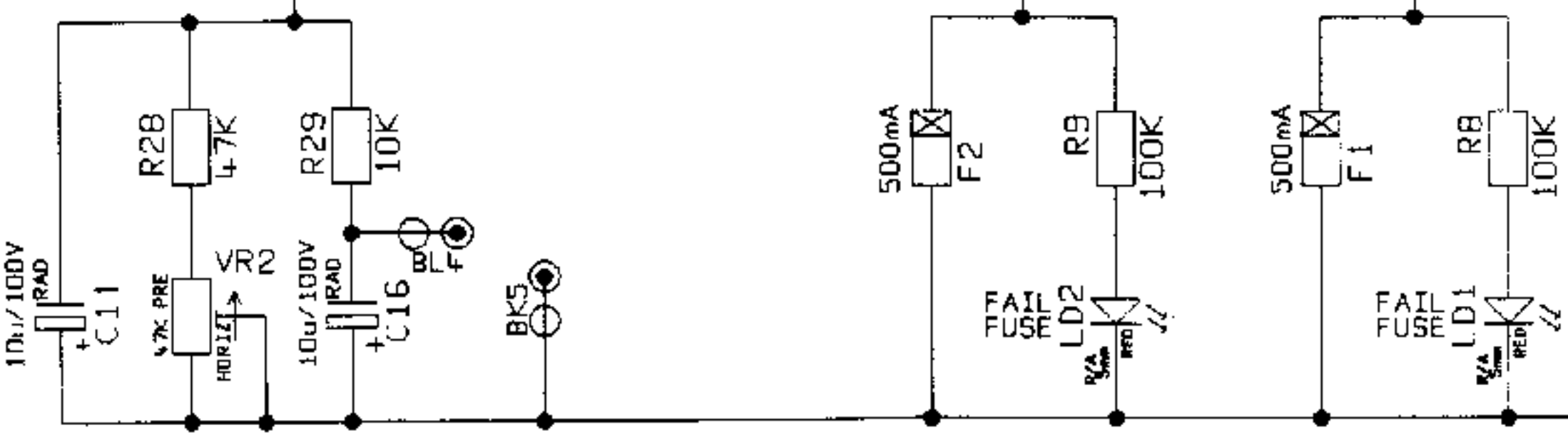


NOTES :

- 1) DOTTED LINES DENOTE WIRES OFF THE PCB.
F1 = PAGE 1. E4 = GRID REF. E4.
- 2) ADJUST BIAS TO -48 VOLTS APPROX
(NO SIGNAL CONDITION)

U.S.A ONLY

SET BIAS TO -46.5V ,MAINS
SUPPLY = 117V/60HZ
(NO SIGNAL CONDITION)



ISS	ECO NUMBER	DATE	
10	0988	6/8/95	
9	0868	12/4/95	A
8	0688	17-11-94	B
7	0707	24/08/94	C
5	0444	6-11-93	D
4	0435	19-10-93	E
3	0408	24-8-93	F
			G

UNSPECIFIED HOLE DATA	
H	
J	
K	
L	
M	
N	
P	

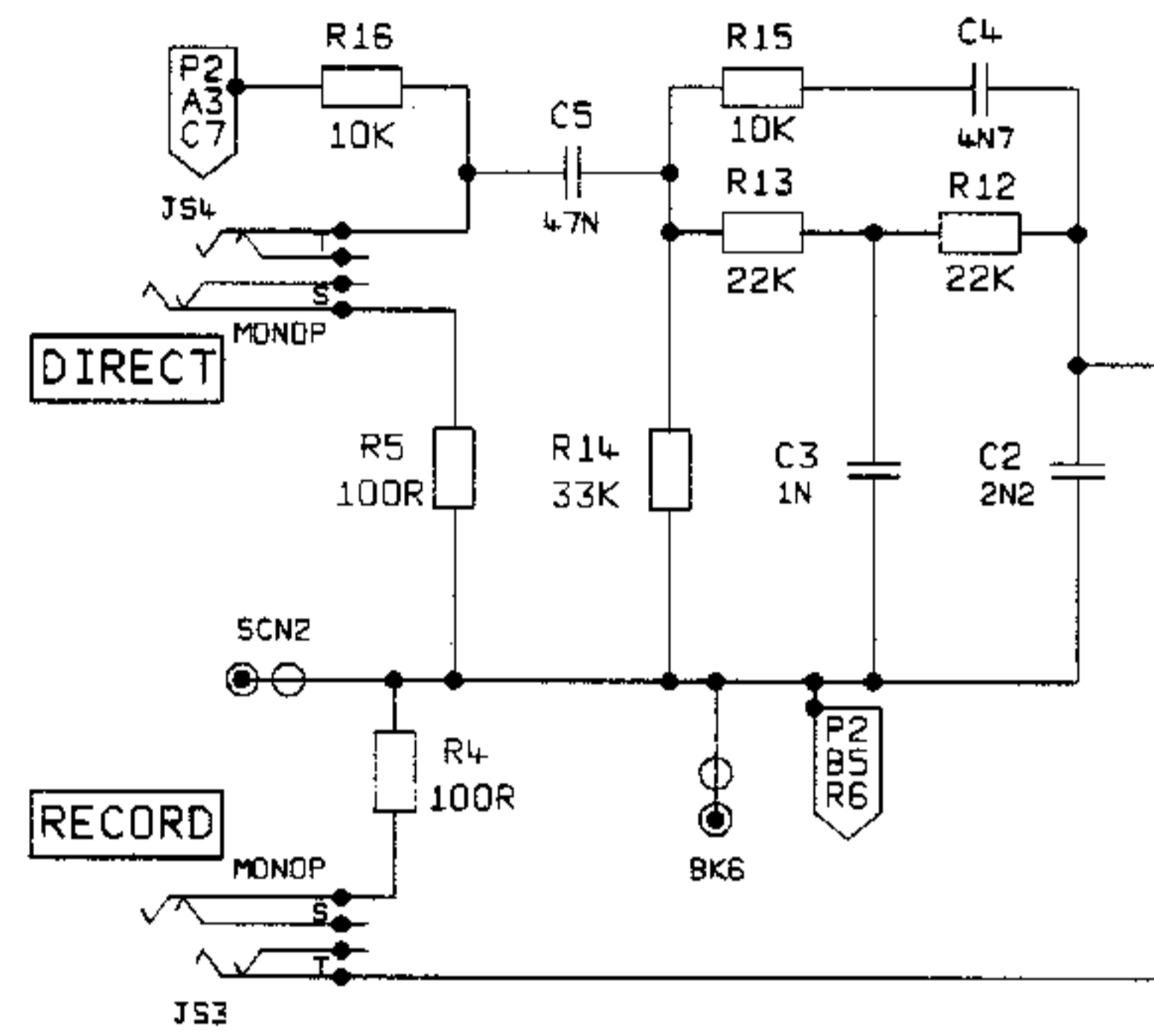
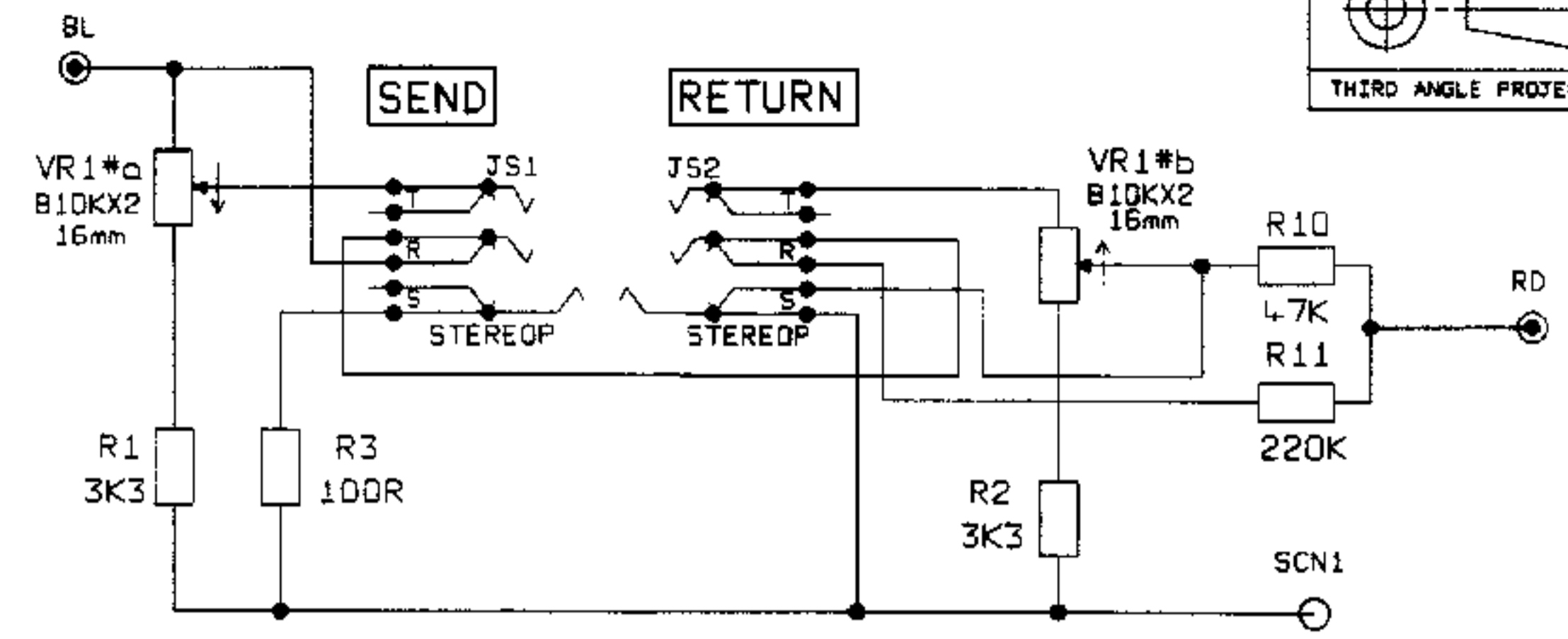
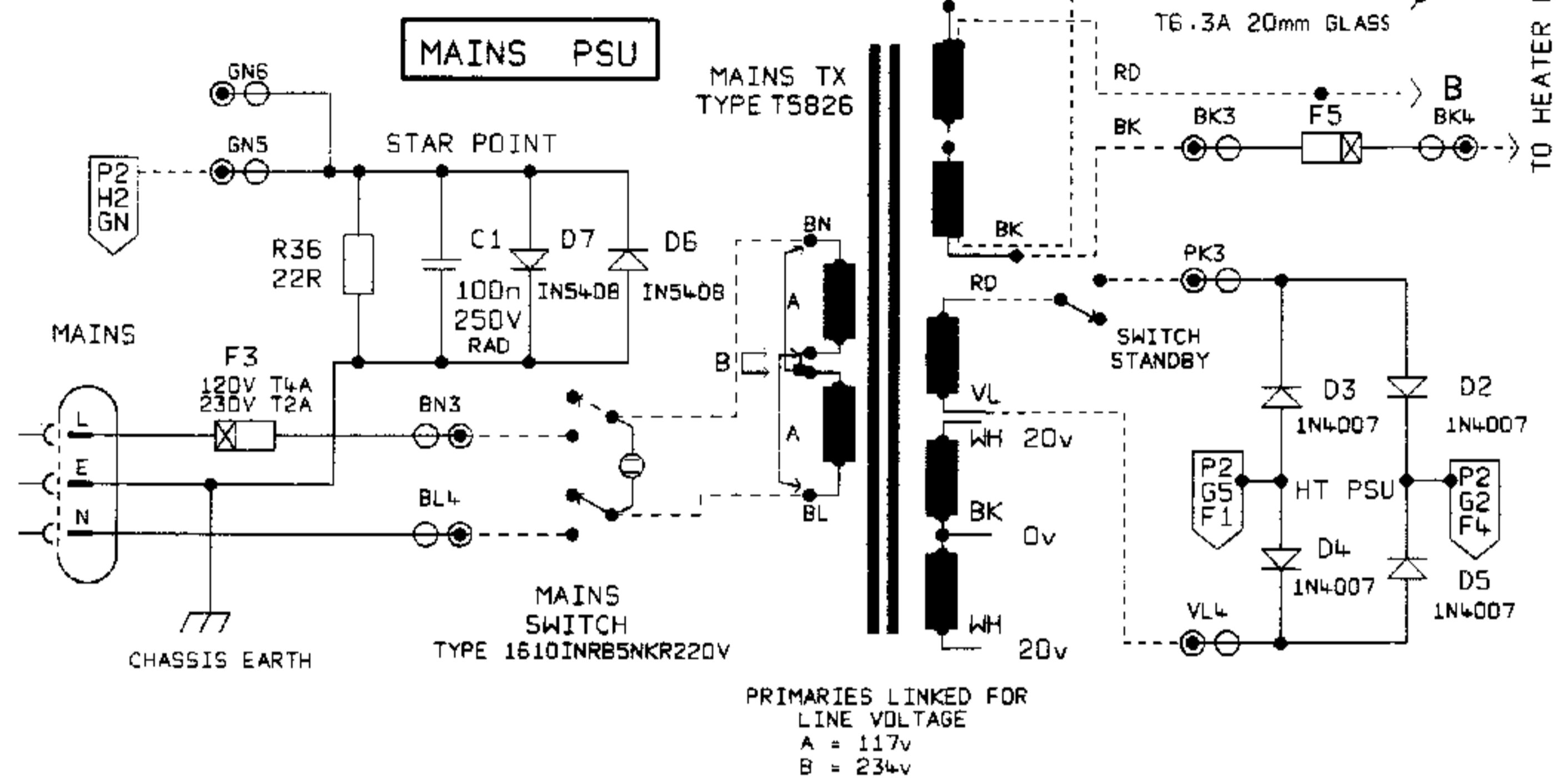
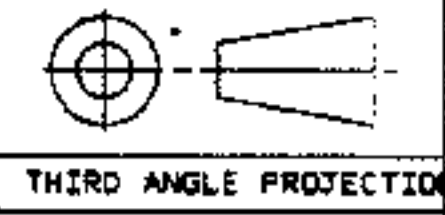
MATERIAL	
MATERIAL THICKNESS	
INTERNAL BMD RADII	
EXTERNAL RA	
BEND DIE	
DRAWN C.R	DATE 29/6/93
CHECKED <i>Kw</i>	DATE 8/8/93
APPROVED	DATE

DIMENSIONS IN	
TOLERANCE (UNLESS OTHERWISE STATED)	
DIMENSIONAL	
CENTRES	
ANGULAR	
MODEL	2100SL-X
	EL34 VALVE TYPE

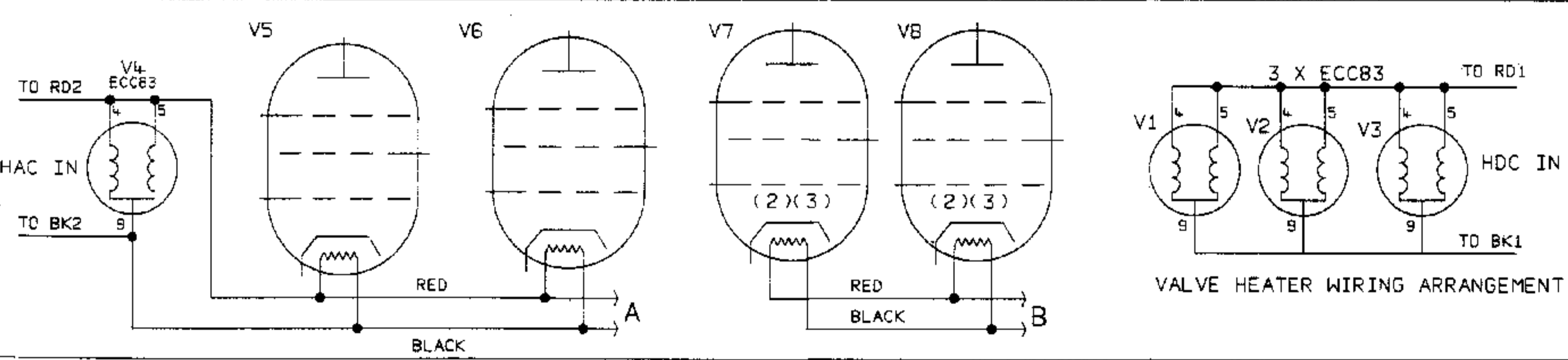
Marshall

COPYRIGHT EXISTS ON THIS DOCUMENT IT MUST NOT BE USED FOR ANY PURPOSE THAN THAT FOR WHICH IT IS SUPPLIED AND MUST NOT BE REPRODUCED OR IN PART) WITHOUT WRITTEN PERMISSION FROM
MARSHALL AMPLIFICATION PLC
DENNISH ROAD, BLECHLEY, MILTON KEYNES, MK1 1DQ.
TEL: 0908375411 FAX: 0908376118

TITLE	
POWER AMP CCT	
DWG.No	ISSUE
2100-60-34	10



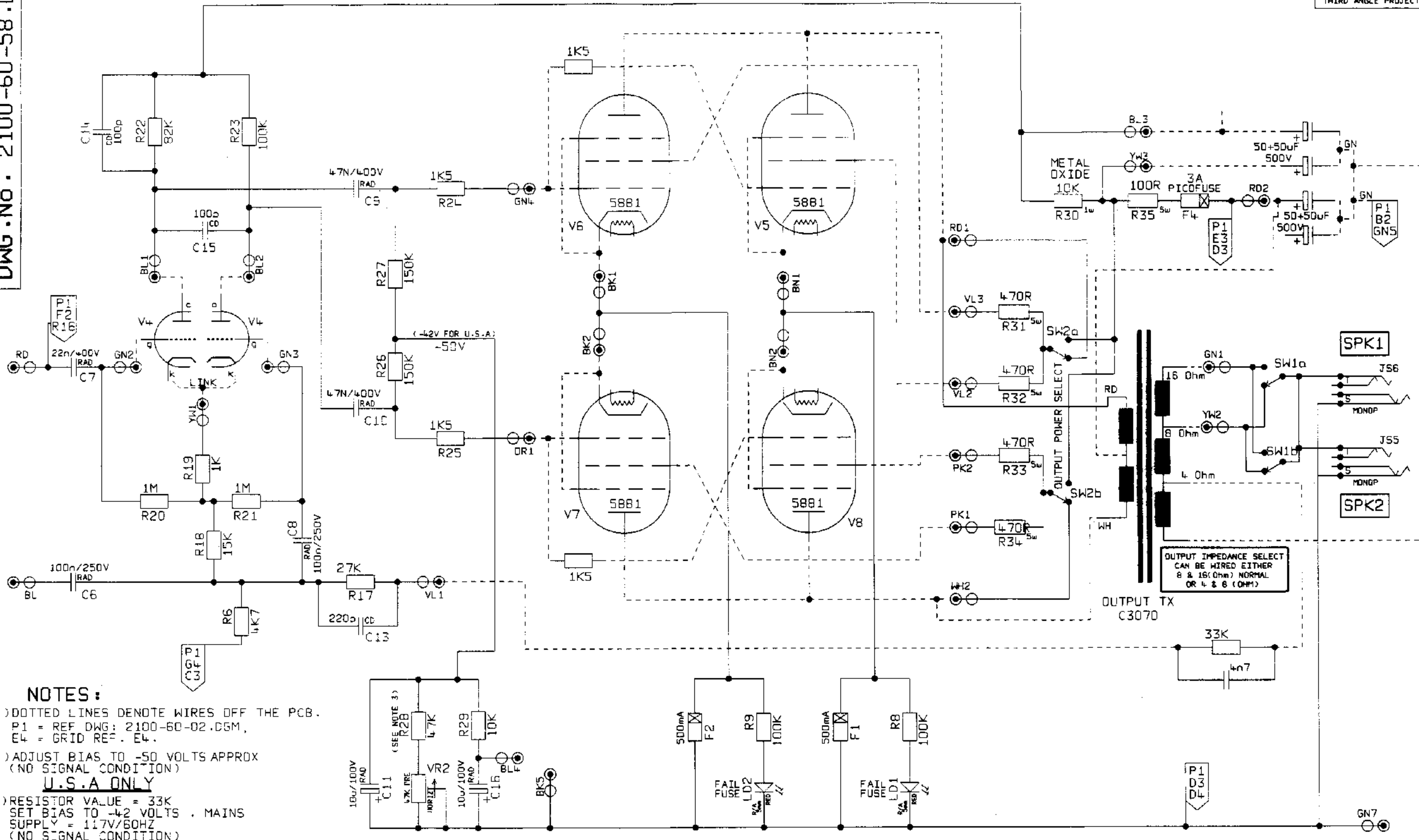
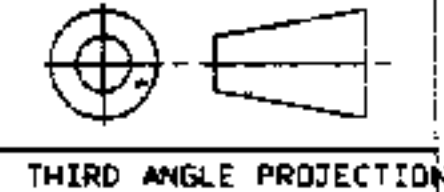
V5,6,7,8 VALVE TYPE, REF DWG: 2100-60-34.DGM FOR 120V UNITS
FOR ALL OTHER UNITS, REF DWG: 2100-60-58.DGM



NOTES:
DOTTED LINES DENOTE WIRES OFF THE PCB.
P2 = REF DWG: 21006034.DGM or 21006058.DGM
DEPENDING ON VALVE TYPE.
E4 = GRID REF. E4.

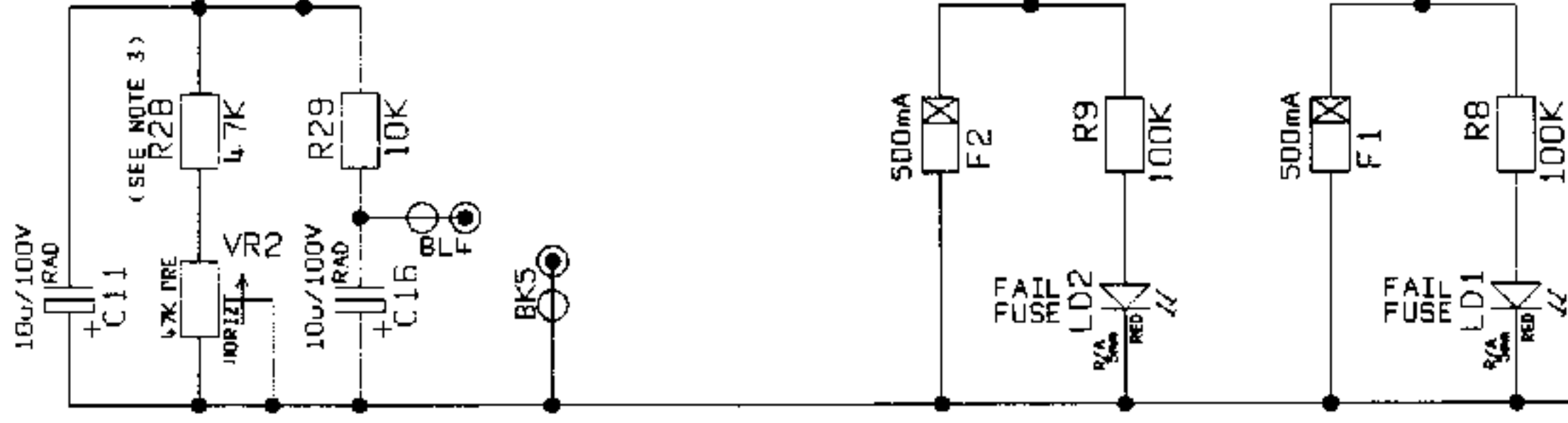
UNSPECIFIED HOLE DATA				MATERIAL	DIMENSIONS IN	TITLE	
3	0868	24/4/95	A	H	TOLERANCE (UNLESS OTHERWISE STATED):	POWER AMP CCT	
3	0688	17/11/94	B	J	DIMENSIONAL		
7	0707	24/08/94	C	K	CENTRES	Marshall	
6	0624	17/5/94	D	L	ANGULAR		
5	0444	8-11-93	E	M	MODEL	2100SL-X	
4	0435	19-10-93	F	N	DATE 20/4/93		
SS	ECD NUMBER	DATE	G	P	DATE 27/4/95	DWG.No 2100-60-02	
					CHECKED <i>Red</i>	ISSUE 9	
					APPROVED	COPYRIGHT EXISTS ON THIS DOCUMENT. IT MUST NOT BE USED FOR ANY PURPOSE THAN THAT FOR WHICH IT IS SUPPLIED AND MUST NOT BE REPRODUCED OR IN PART, WITHOUT WRITTEN PERMISSION FROM MARSHALL AMPLIFICATION PLC DENWIGH ROAD, BLETCHLEY, MILTON KEYNES, MK1 10Q. TEL (0208)375611 FAX (0208)376110	

5881 VALVE TYPE



NOTES:

- 1) DOTTED LINES DENOTE WIRES OFF THE PCB.
P1 = REF DWG: 2100-60-02.DGM,
E4 = GRID REF. E4.
- 2) ADJUST BIAS TO -50 VOLTS APPROX
(NO SIGNAL CONDITION)
U.S.A ONLY
- 3) RESISTOR VALUE = 33K
SET BIAS TO -42 VOLTS . MAINS
SUPPLY = 117V/60HZ
(NO SIGNAL CONDITION)



9	0868	12/4/95			
8	0688	17-11-94	A		
7	0707	24/08/94	B		
5	0444	8-11-93	C		
4	0435	19-10-93	D		
3	0408	24-8-93	E		
2	0394	6-8-93	F		
ISS	ECO NUMBER	DATE	G		

UNSPECIFIED HOLE DATA	
H	
J	
K	
L	
M	
N	
P	

MATERIAL		DIMENSIONS IN	
MATERIAL THICKNESS		TOLERANCE (UNLESS OTHERWISE STATED)	
INTERNAL BEND RADII		DIMENSIONAL	
EXTERNAL B/A		CENTRES	
BEND DIE		ANGULAR	
DRAWN CJR	DATE 29/6/93	MODEL	2100SL-X
CHECKED <i>K Sam</i>	DATE 3 5 95		5881 VALVE TYPE
APPROVED	DATE		

Marshall

COPYRIGHT EXISTS ON THIS DOCUMENT. IT MUST NOT BE USED FOR ANY PURPOSE THAN THAT FOR WHICH IT IS SUPPLIED AND MUST NOT BE REPRODUCED OR IN PARTY WITHOUT WRITTEN PERMISSION FROM:
MARSHALL AMPLIFICATION PLC
GENDISH ROAD, BLETCHEY, HILTON KEYNES, MK1 1DG.
TEL (0208) 375411 FAX (0208) 375116

TITLE	POWER AMP CCT
DWG.No	2100-60-58.DGM
ISSUE	9
(was 2100-60-02.dgm Page 2)	