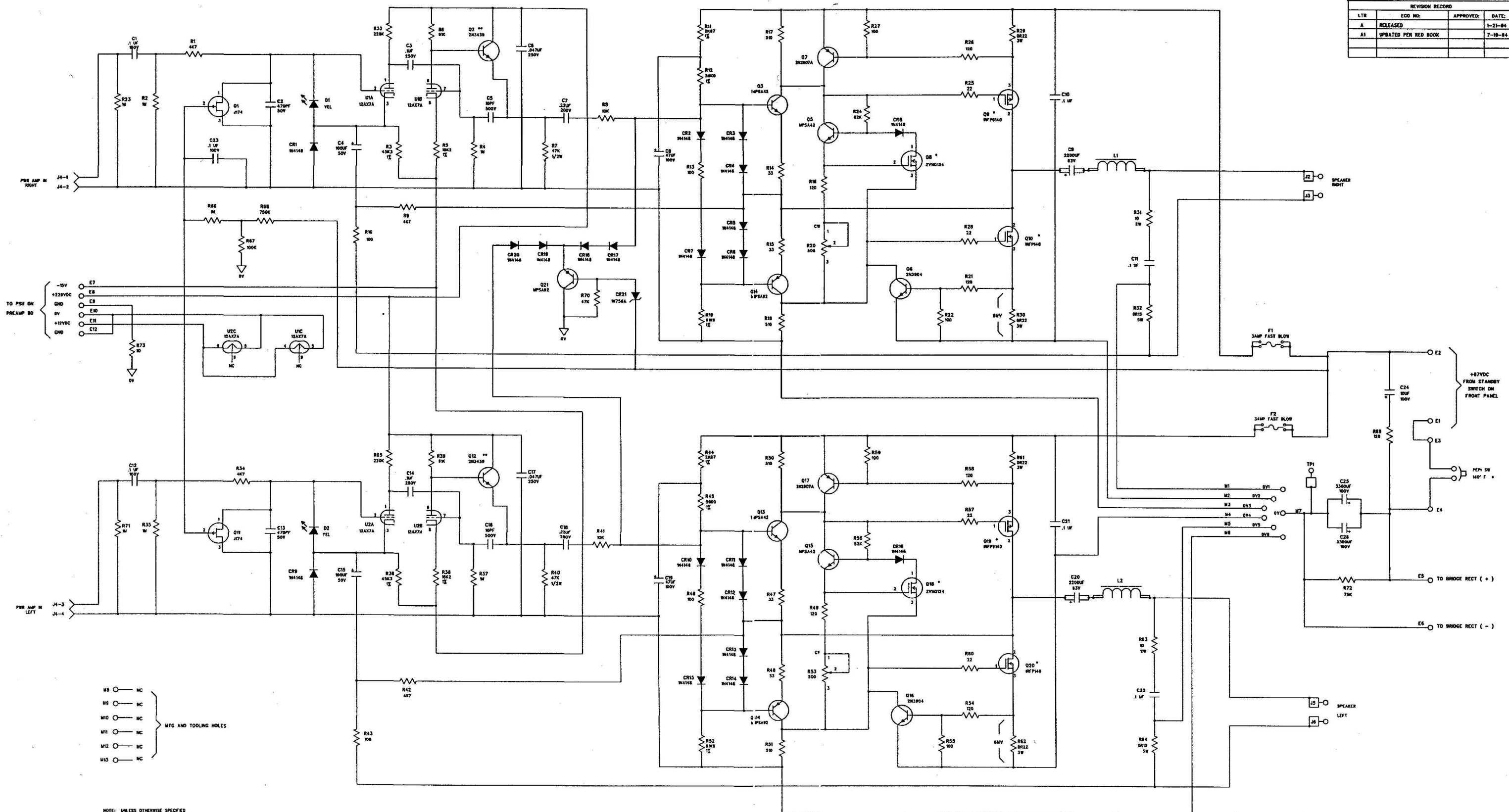
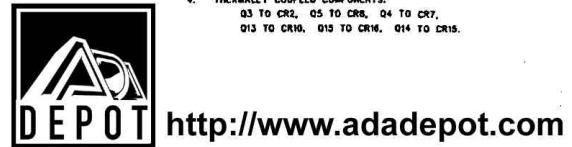


REVISION RECORD			
LTR	ECO NO.	APPROVED:	DATE:
A	RELEASED		1-21-84
A1	UPDATED PER RED BOOK		7-18-84



- M8 ○ NC
 - M9 ○ NC
 - M10 ○ NC
 - M11 ○ NC
 - M12 ○ NC
 - M13 ○ NC
- MTC AND TOOLING HOLES

NOTE: UNLESS OTHERWISE SPECIFIED
 1. RESISTORS ARE 1/4 W. 5% CT. ALL 1% RESISTORS ARE 1W.
 2. (-) INDICATES PART MOUNTED TO HEATSHIELD.
 3. (+) INDICATES A SNAP-ON HEATSHIELD.
 4. THERMALLY COUPLED COMPONENTS:
 Q3 TO CR2, Q5 TO CR4, Q4 TO CR7,
 Q13 TO CR10, Q15 TO CR11, Q14 TO CR15.



DRAWN: RON FARAR		DATED: 1-23-84		COMPANY: ADA INC.	
CHECKED:		DATED:		TITLE: SCHEMATIC 2X12 COMBO POWER AMPS	
QUALITY CONTROL:		DATED:		CODE: D	SIZE: 893
RELEASED:		DATED:		DRAWING NO: A1	REV: 1
SCALE: 1 : 1				SHEET: 1 OF 1	