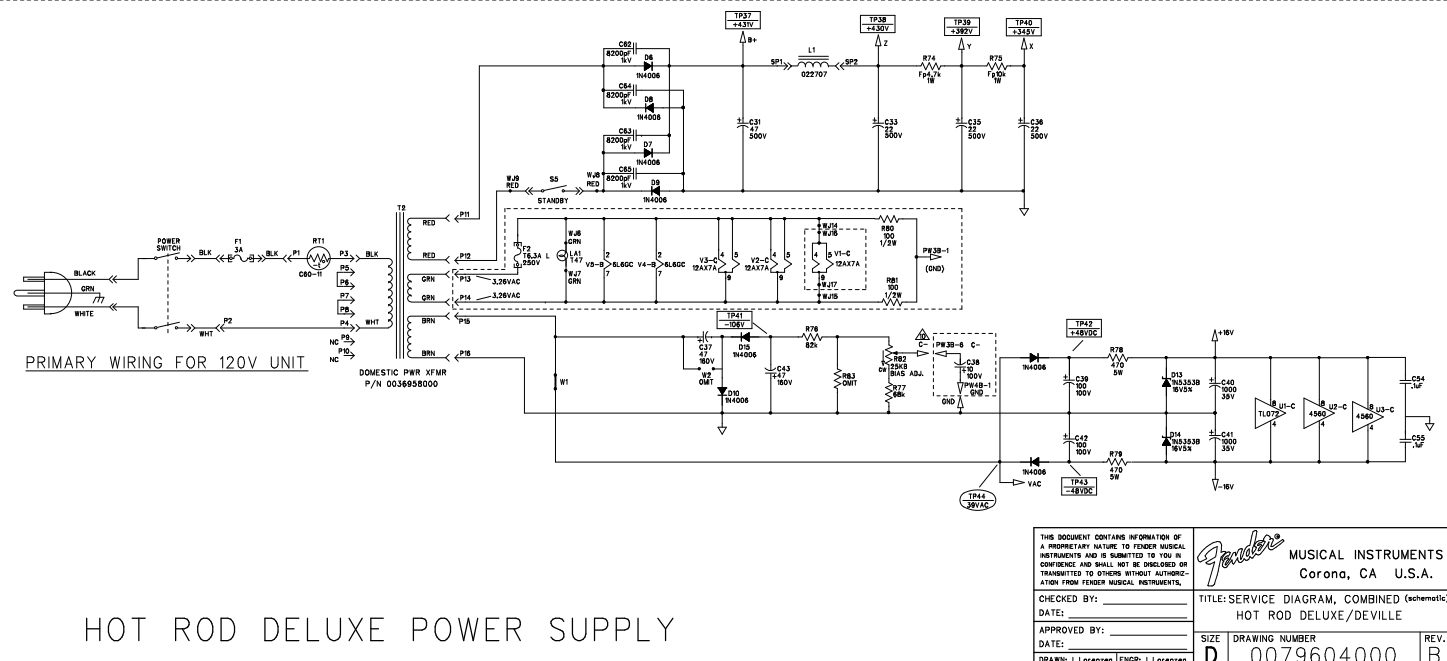
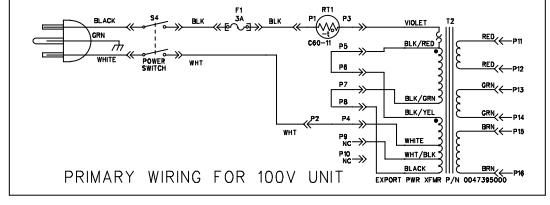
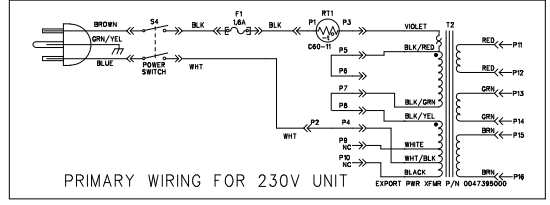
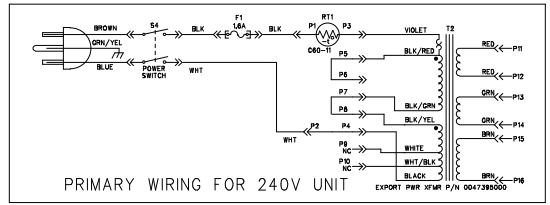
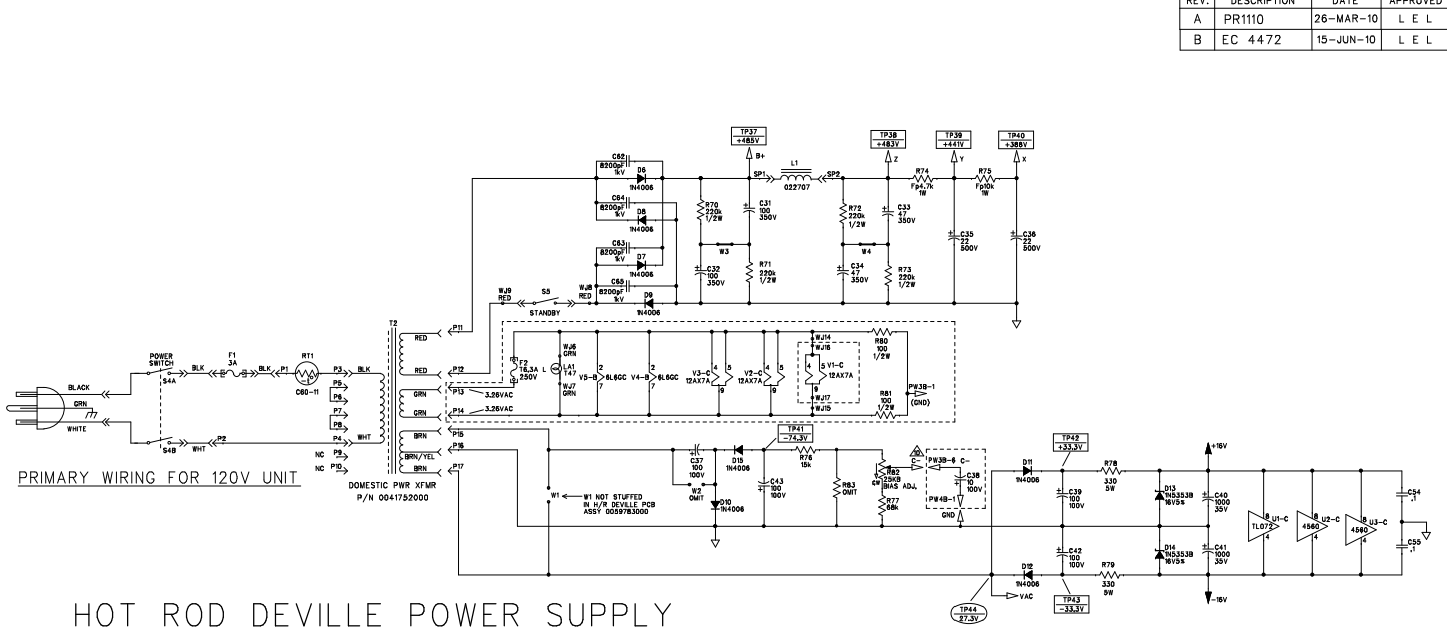
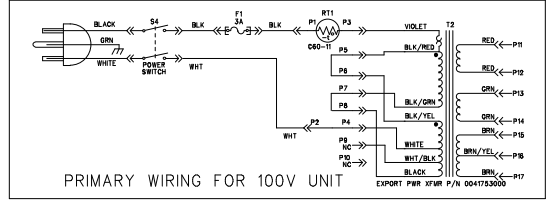
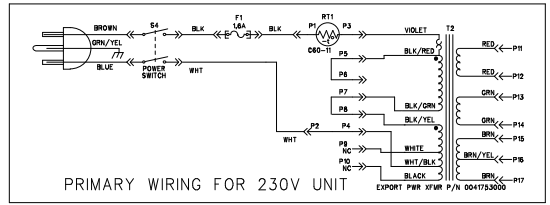
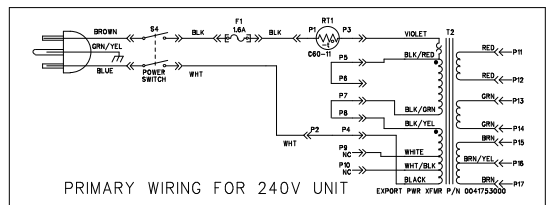




REVISIONS			
REV.	DESCRIPTION	DATE	APPROVED
A	PR1110	26-MAR-10	L E L
B	EC 4472	15-JUN-10	L E L



THIS DOCUMENT CONTAINS INFORMATION OF A PROPRIETARY NATURE TO FENDER MUSICAL INSTRUMENTS AND IS SUBMITTED TO YOU IN CONFIDENCE AND SHALL NOT BE DISCLOSED OR TRANSMITTED TO OTHERS WITHOUT AUTHORIZATION FROM FENDER MUSICAL INSTRUMENTS.

**Fender** MUSICAL INSTRUMENTS  
Corona, CA U.S.A.

CHECKED BY: \_\_\_\_\_  
 DATES: \_\_\_\_\_  
 APPROVED BY: \_\_\_\_\_  
 DATES: \_\_\_\_\_  
 DRAWN: L.Lorenzen ENGR: L.Lorenzen  
 DATABASE FILE: Z1105.SCH

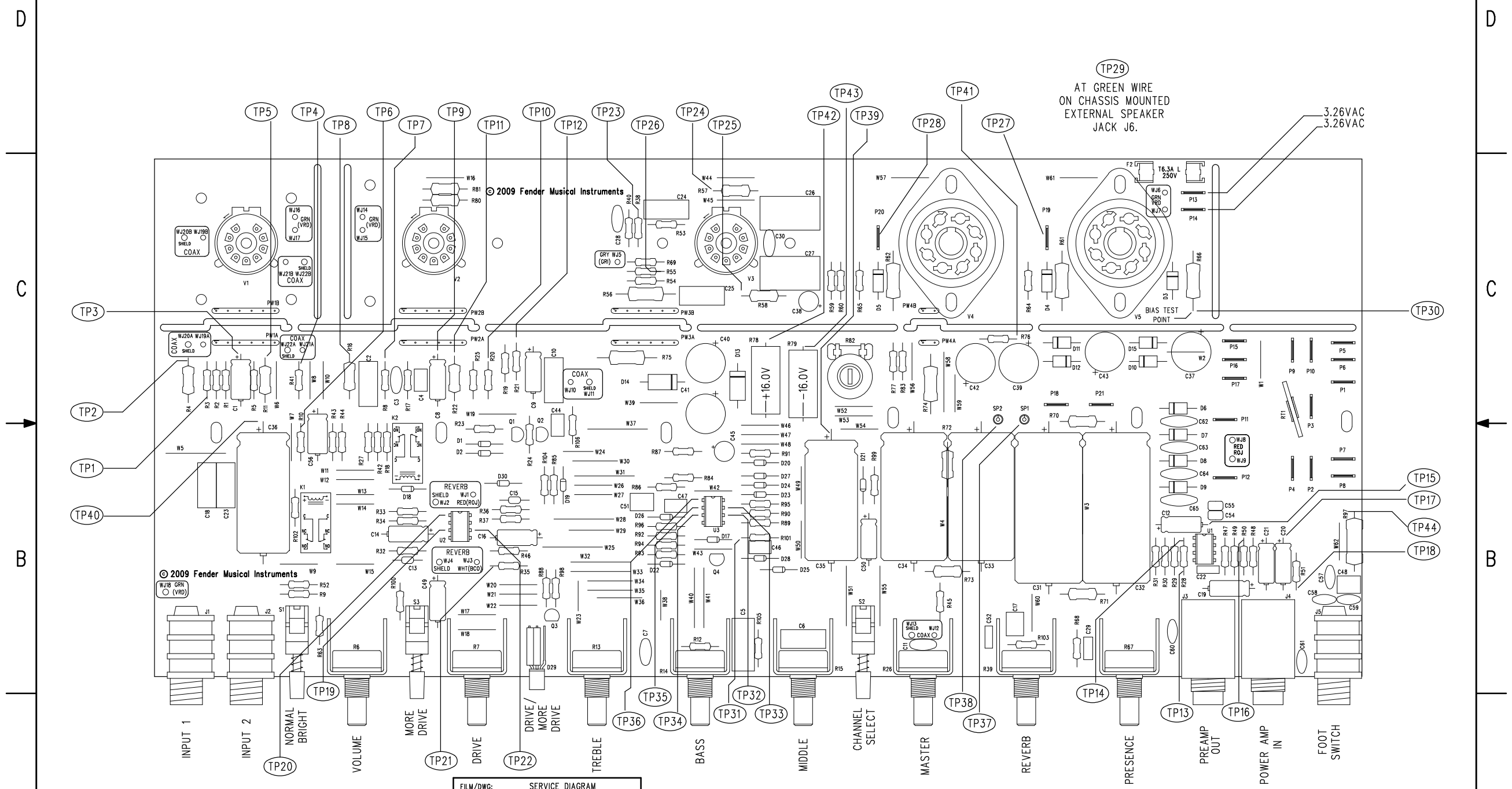
TITLE: SERVICE DIAGRAM, COMBINED (schematic)  
 HOT ROD DELUXE/DEVILLE

SIZE: \_\_\_\_\_  
 DRAWING NUMBER: **D 0079604000**  
 REV: **B**

RELEASE DATE: 15-JUN-10 SHEET: 2 OF 3

NOTES: SEE SHEET 1

REVISIONS			
REV.	DESCRIPTION	DATE	APPROVED
A	PR1110	26-MAR-10	LEL
B	EC 4472	15-JUN-10	LEL



FILM/DWG: SERVICE DIAGRAM  
 DATABASE: Z485P.PCB DATE: 18-MAR-09

3. SEE PAGE 1 FOR NOTES AND TEST CONDITIONS
2. WIRES NOT SHOWN FOR CLARITY
1. PCB SHOWN BEFORE POWER AMP BREAKAWAY IS INSTALLED IN CHASSIS

NOTES: (UNLESS OTHERWISE NOTED)

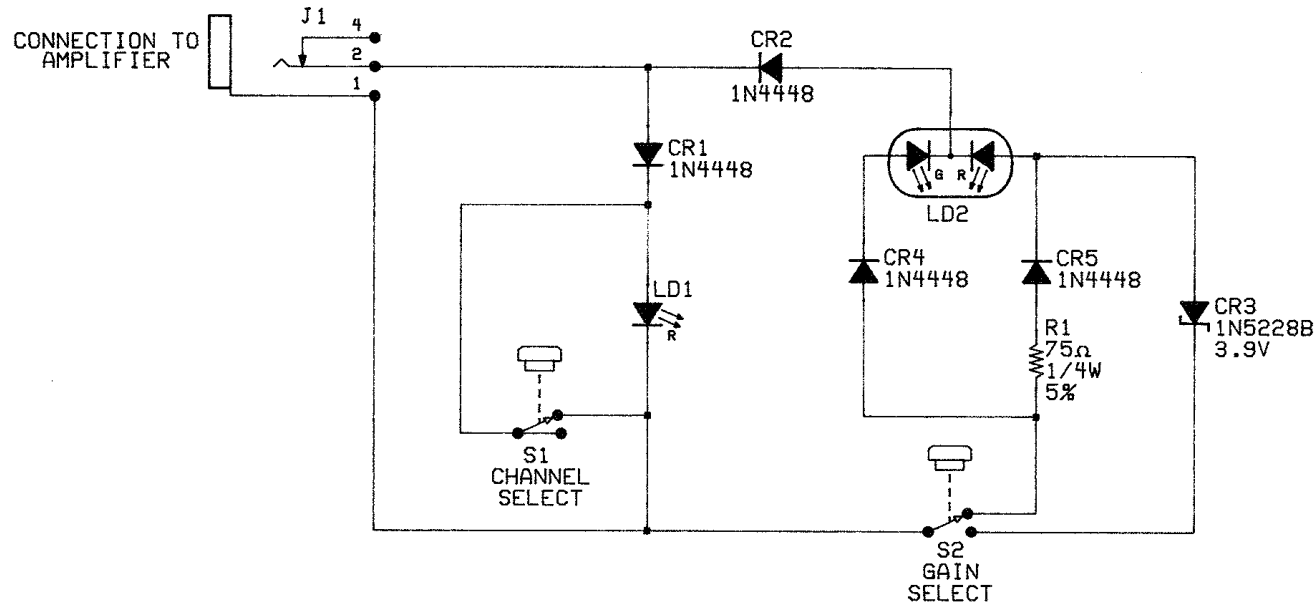
THIS DOCUMENT CONTAINS INFORMATION OF A PROPRIETARY NATURE TO FENDER MUSICAL INSTRUMENTS AND IS SUBMITTED TO YOU IN CONFIDENCE AND SHALL NOT BE DISCLOSED OR TRANSMITTED TO OTHERS WITHOUT AUTHORIZATION FROM FENDER MUSICAL INSTRUMENTS.

**Fender** MUSICAL INSTRUMENTS  
 Corona, CA U.S.A.

CHECKED BY: _____	TITLE: SERVICE DIAGRAM, COMBINED (PCB assy)		
DATE: _____	HOT ROD DELUXE/DEVILLE III		
APPROVED BY: _____	SIZE	DRAWING NUMBER	REV.
DATE: _____	<b>C</b>	0079604000	<b>B</b>
DRAWN: L. LORENZEN	ENGR: L. LORENZEN	RELEASE DATE: 18-SEP-02	SHEET 3 OF 3
DATABASE FILE: Z1110-P.PCB			

# SERVICE MANUAL DOCUMENT

JUNE 25, 2010



DATABASE FILE:		<b>PROPRIETARY</b>		<b>MUSICAL INSTRUMENTS</b> 2621 Research Drive Corona, CA 91720	
CHECKED BY:		THIS DRAWING DOCUMENT CONTAINS INFORMATION WHICH IS PROPRIETARY TO AND IS THE PROPERTY OF THE FENDER MUSICAL INSTRUMENTS CO. AND MAY NOT BE USED, REPRODUCED OR DISCLOSED IN ANY MANNER WITHOUT THE EXPRESSED WRITTEN CONSENT FROM: FENDER MUSICAL INSTRUMENTS CO. REGIONAL HEADQUARTERS 2621 RESEARCH DRIVE CORONA, CALIFORNIA 91720 STOMP ON IT.			
DATE:		TITLE: SCHEMATIC DIAGRAM, FOOTSWITCH, CH/GA.		SIZE	REV.
APPROVED:		DRAWN		DRAWING NUMBER	A
DATE		ENGR:			
TOLERANCES: UNLESS OTHERWISE NOTED		NEXT HIGHER ASSEMBLY:		CREATED:	
X.X	±0.050"	P/N 050417		PLOTTED:	
X.XX	±0.010"	PCB ASSY FTSW CH/GA		SHEET 1 OF 1	
X.XXX	±0.005"				
ANGLES	±0.500°				