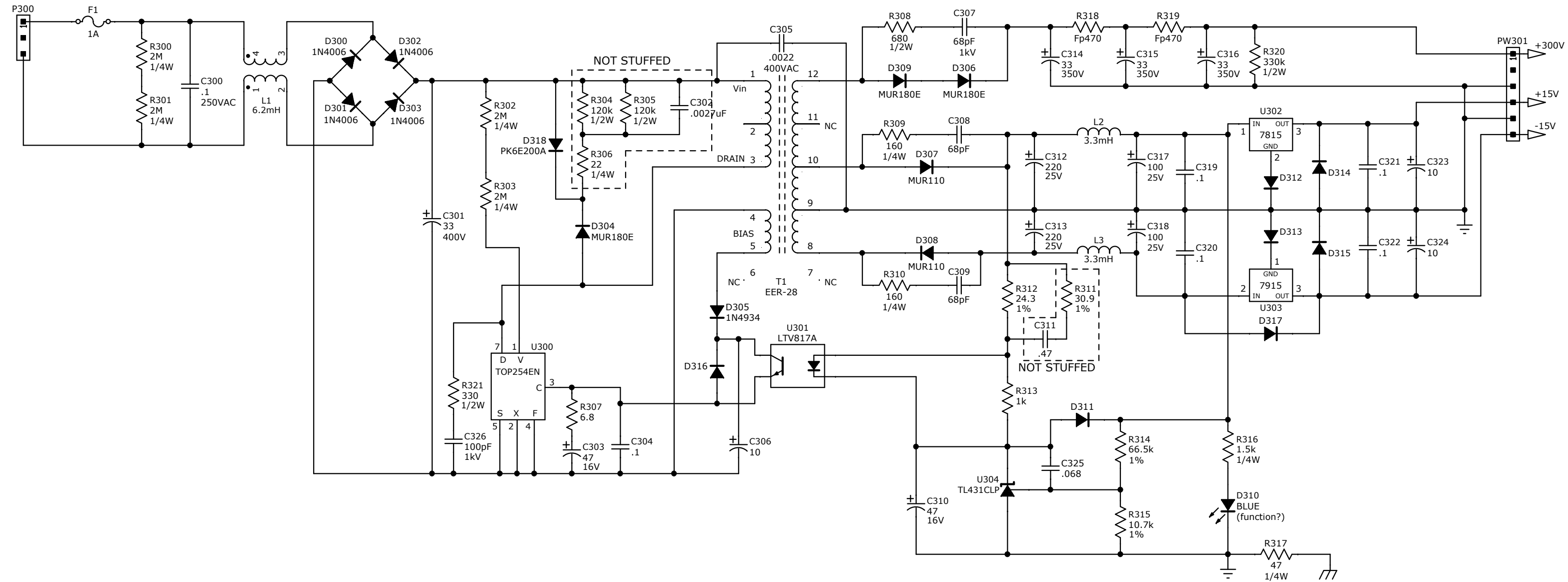


REVISIONS			
REV.	DESCRIPTION	DATE	APPROVED
1	ATG-125	02-AUG-12	dBL
2	ATG-125	30-OCT-12	dBL
3	PR2810	01-MAY-14	dBL



5. THIS SCHEMATIC IS FOR PCB FABRICATION P/N 00?????000 AND PCB ASSEMBLY P/N 00?????000.
4. ALL DIODES ARE 1N4448.
3. ALL POLARIZED CAPACITORS IN μ F, 20%; 50V MINIMUM.
2. ALL UNPOLARIZED CAPACITORS IN μ F, 10% OR BETTER; 50V MINIMUM. (POWER SUPPLY BYPASS CAPACITORS ARE 20%).
1. ALL RESISTORS IN OHMS, 5%; 1/4W.

NOTES: (UNLESS OTHERWISE NOTED)

THIS DOCUMENT CONTAINS INFORMATION OF A PROPRIETARY NATURE TO FENDER MUSICAL INSTRUMENTS AND IS SUBMITTED TO YOU IN CONFIDENCE AND SHALL NOT BE DISCLOSED OR TRANSMITTED TO OTHERS WITHOUT AUTHORIZATION FROM FENDER MUSICAL INSTRUMENTS.

Fender MUSICAL INSTRUMENTS
Corona, CA U.S.A.

CHECKED BY: _____
DATE: _____

APPROVED BY: _____
DATE: _____

DRAWN: D. LEWIS ENGR: D. LEWIS

DATABASE FILE: 300V SMPS.SCH

TITLE: SERVICE DIAGRAM, COMBINED (schematic)
+300V, +/-15V SMPS
88-264VAC UNIVERSAL INPUT

SIZE B	DRAWING NUMBER 2810MEX009	REV. 3
------------------	-------------------------------------	------------------

RELEASE DATE: dd-MMM-yy SHEET: 1 OF m