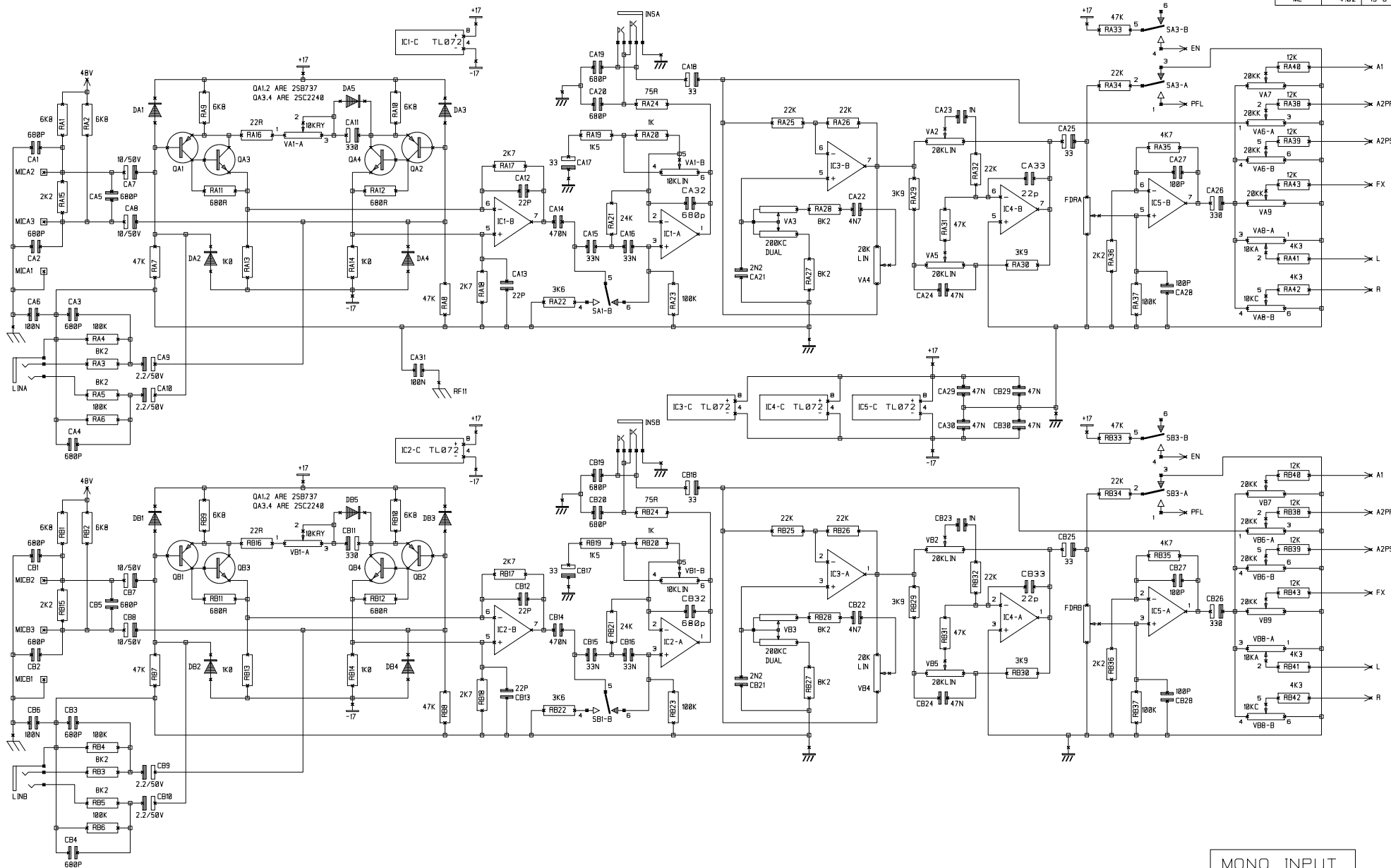


INITIAL	ISSUE	DATE
ML	4:02	15-6-99

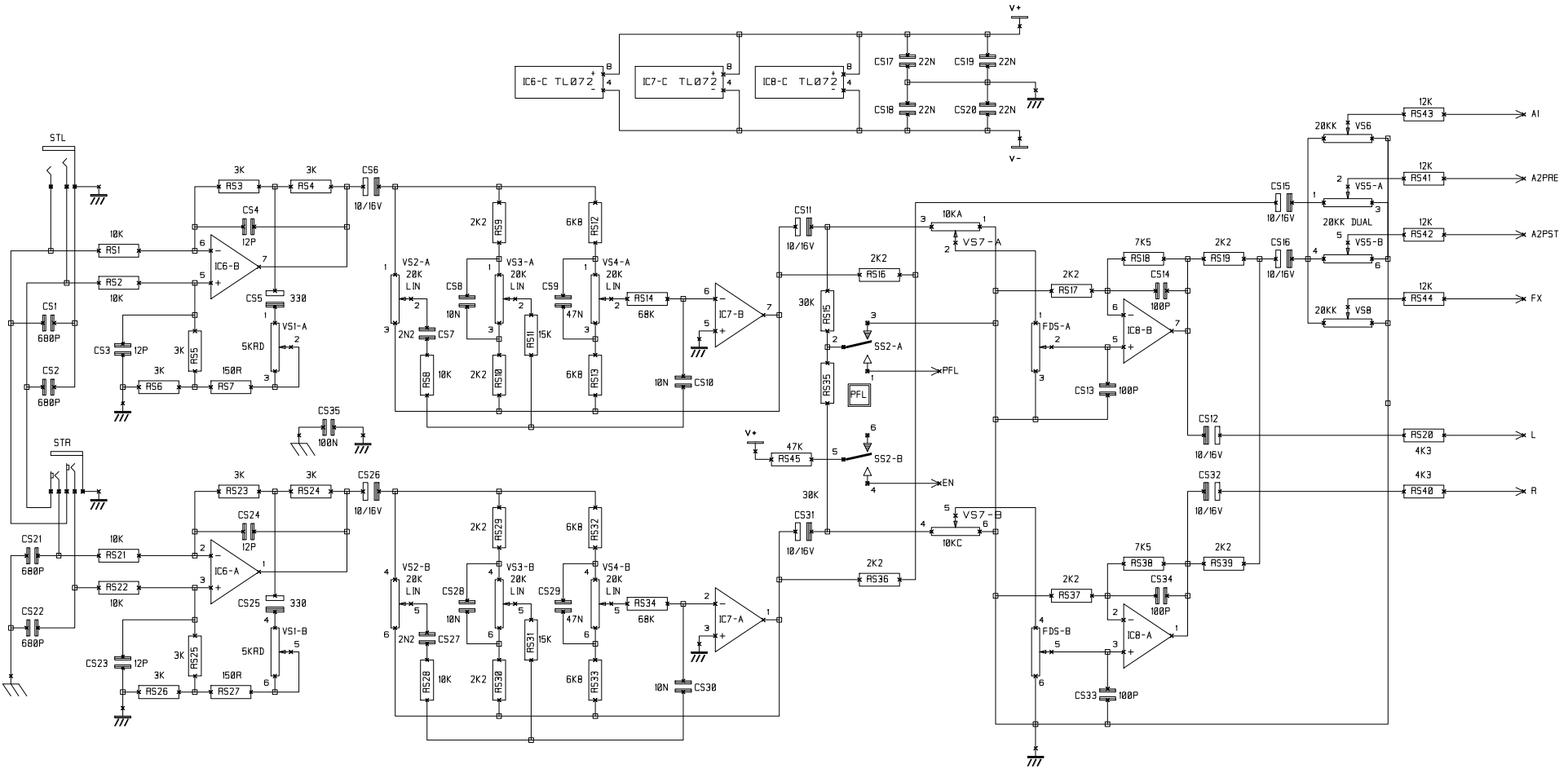


MONO INPUT

NOTES

NOTES

DRN. GHB	TITLE
	SPIRIT POWER STATION 600 MIXER BOARD
DRG NO.	ED 3845 A



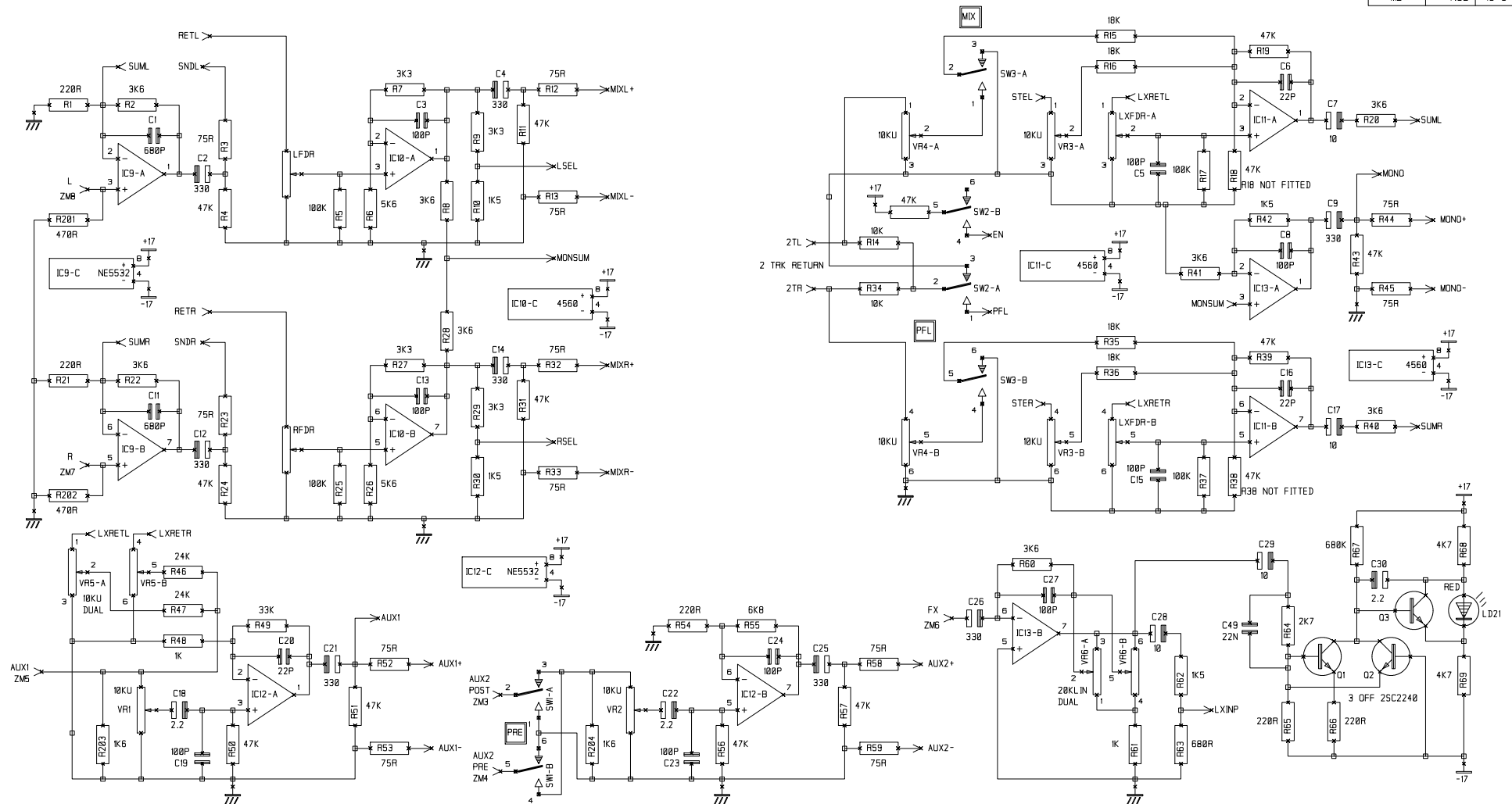
STEREO INPUT

NOTES

NOTES

DRN.	GHB	TITLE	SPRIT POWER STATION 600 MIXER BOARD
		DRG NO.	ED 3845 B
			SHT. 2 OF 7

INITIAL	ISSUE	DATE
ML	4:02	15-6-99



MASTER 1

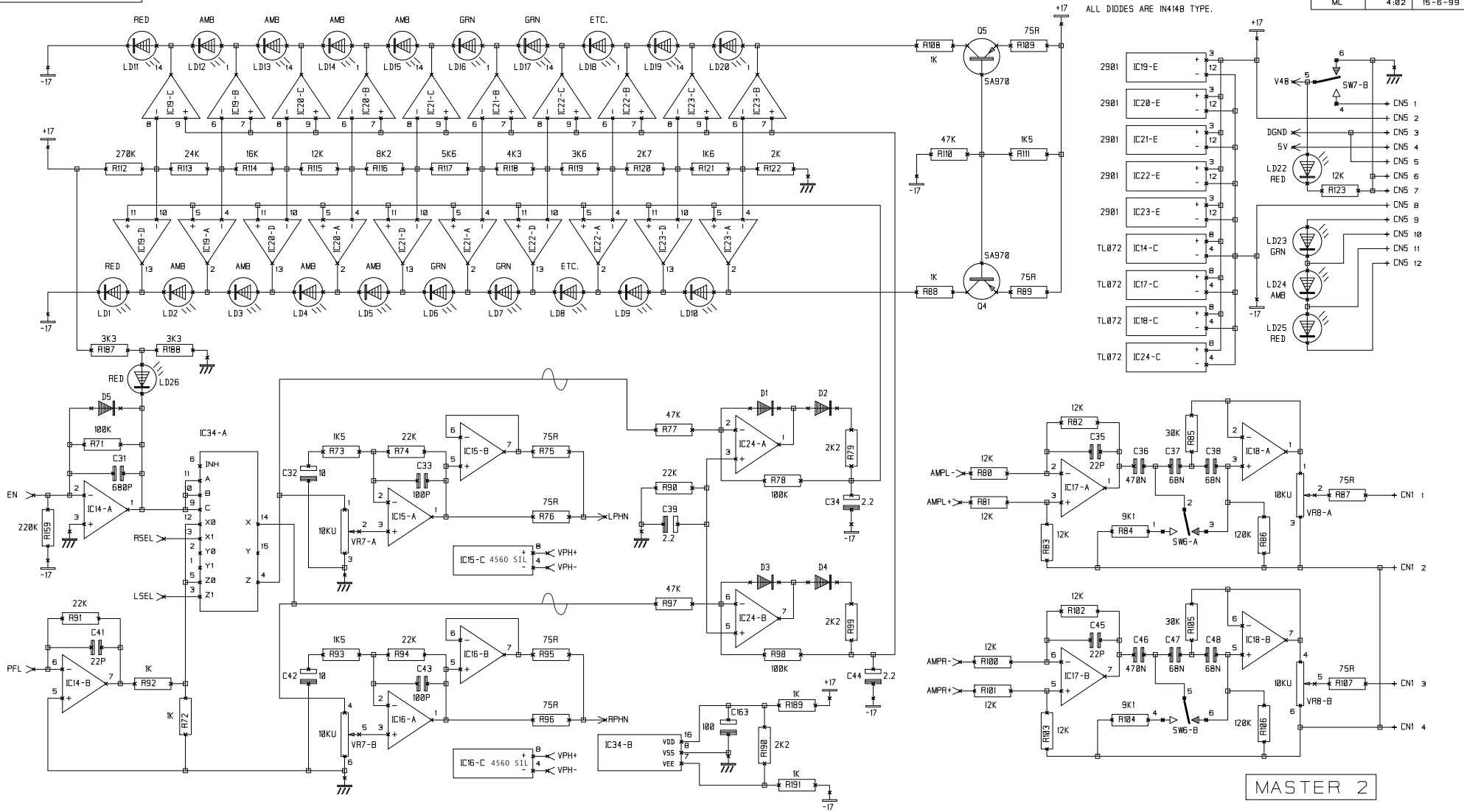
NOTES

NOTES

DRN. GHB

TITLE SPIRIT POWER STATION  
600 MIXER BOARD  
DRG NO. ED 3845 C

INITIAL	ISSUE	DATE
ML	4:82	15-6-99

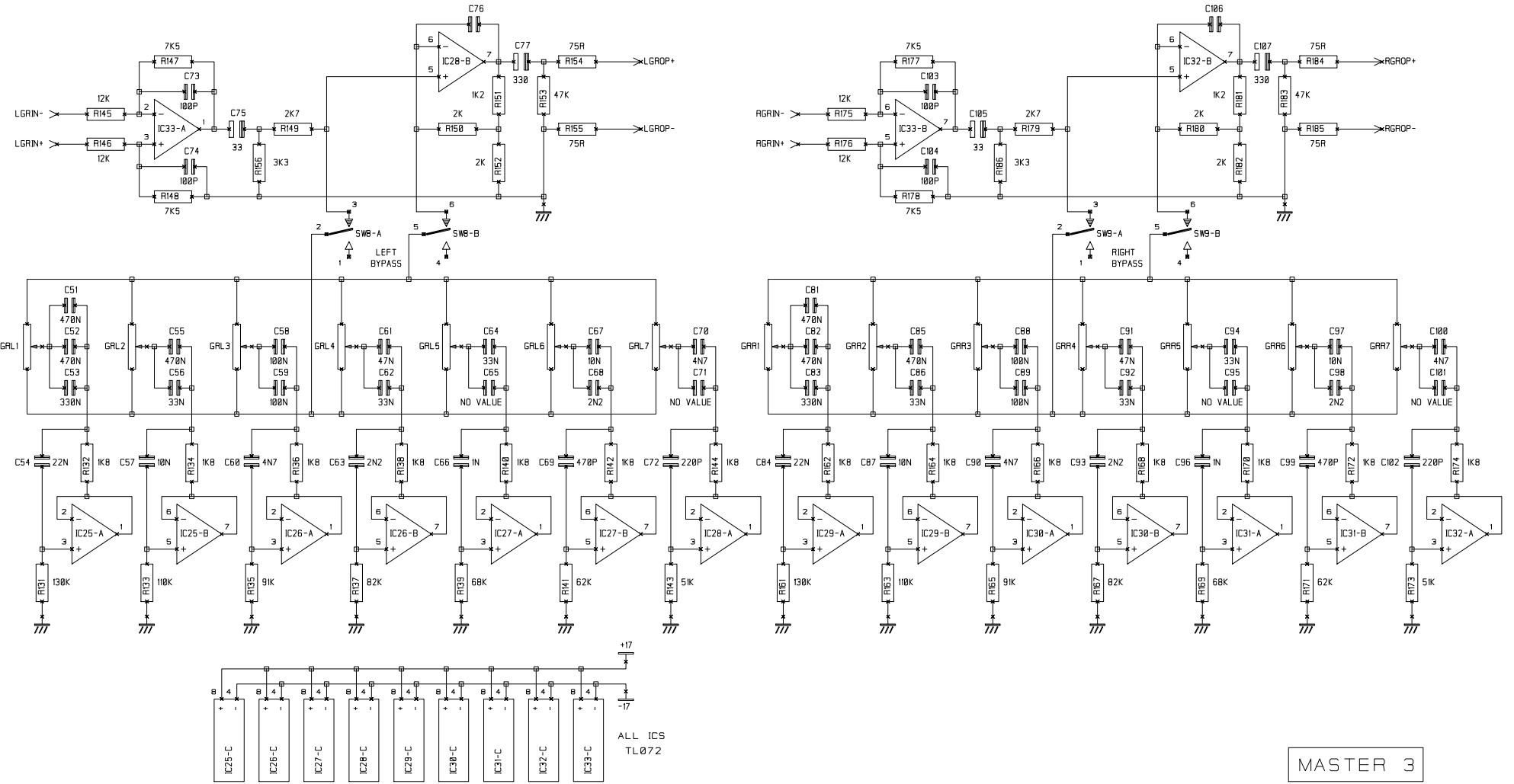


MASTER 2

NOTES

NOTES

DRN.	GHB	TITLE	SPIRIT POWER STATION 600 MIXER BOARD
		DRG NO.	ED 3845 D

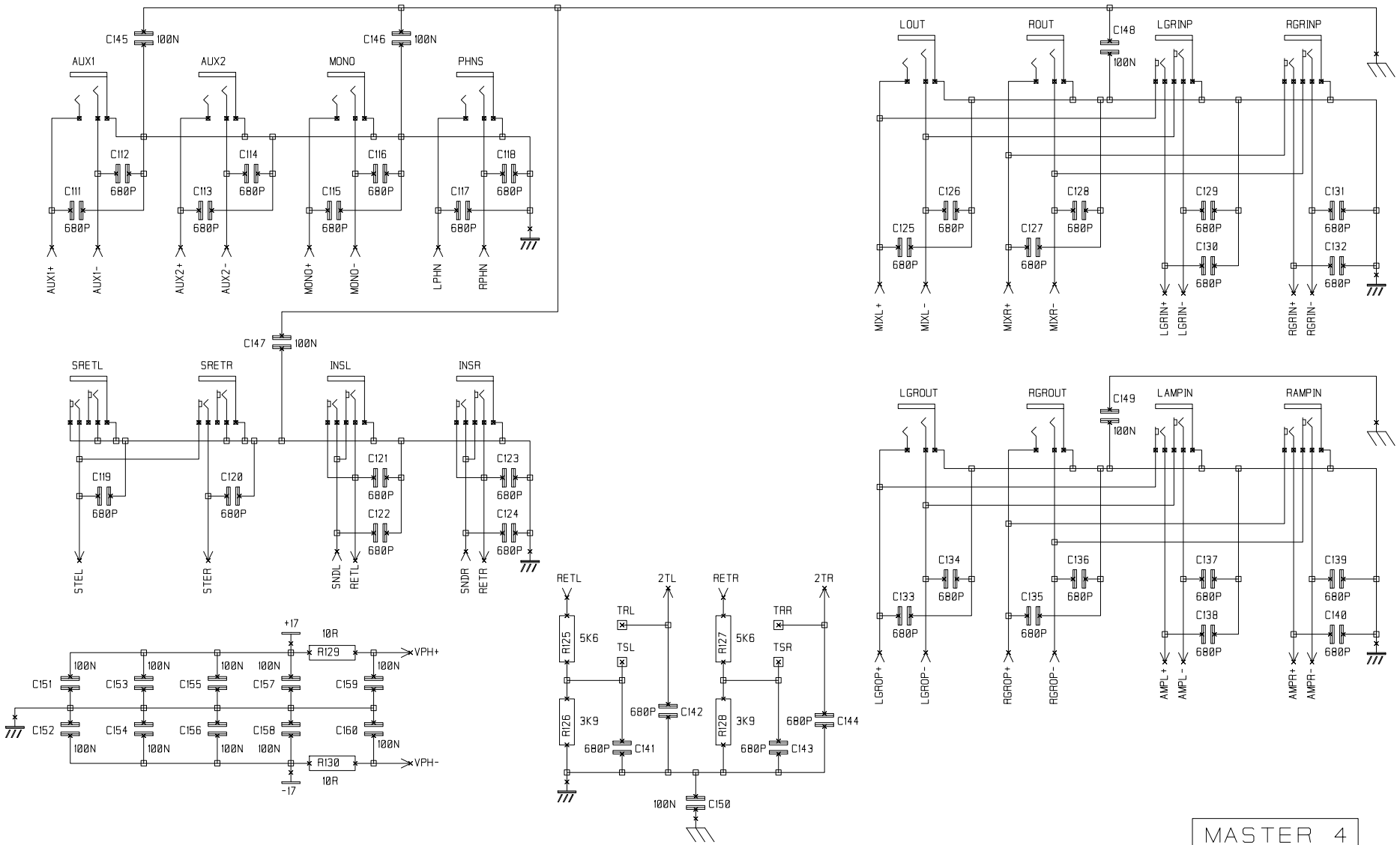


MASTER 3

NOTES

NOTES

DRN.	GHB	TITLE	SPIRIT POWER STATION 600 MIXER BOARD
		DRG NO.	ED3845 E



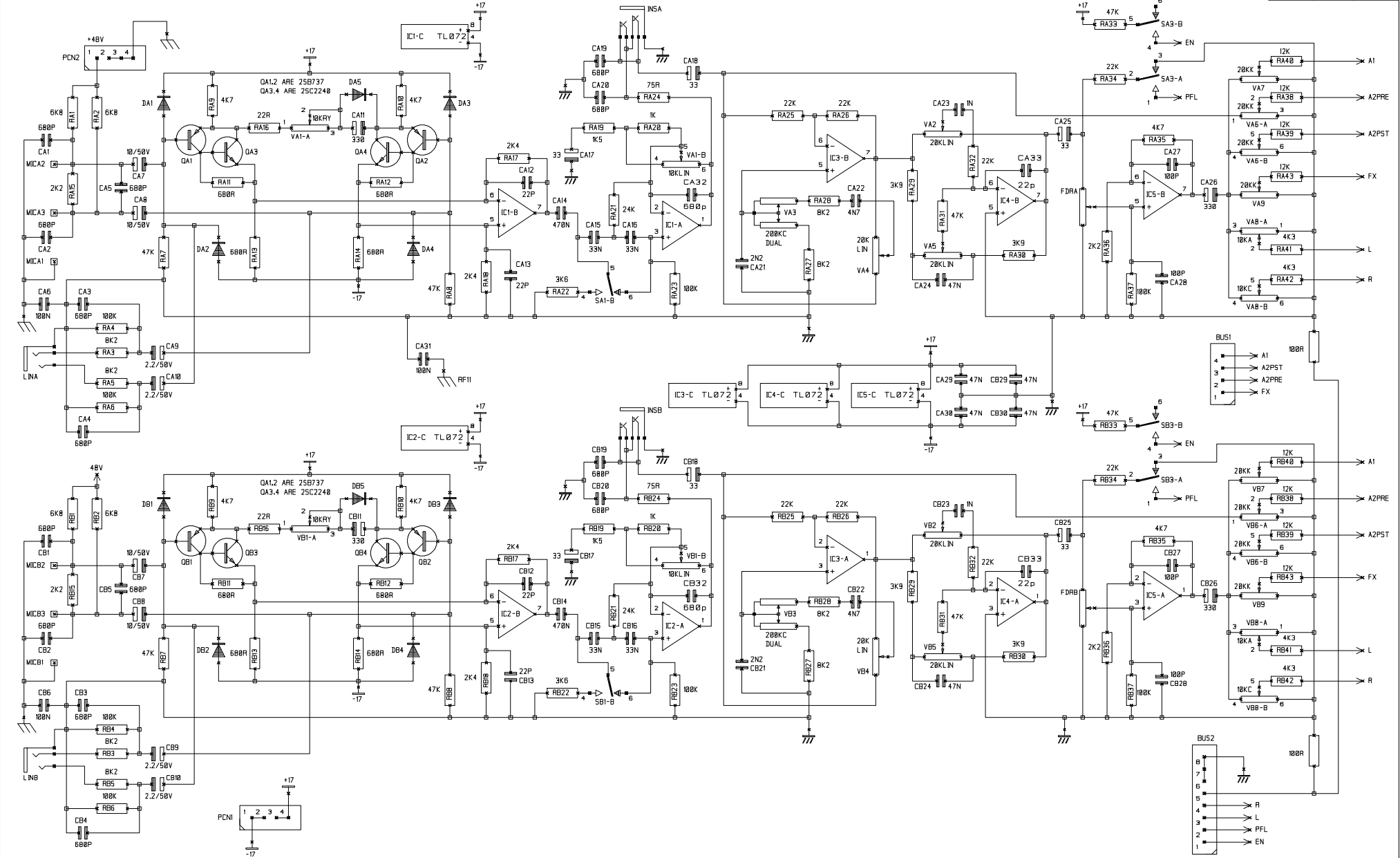
NOTES

DRN. GHB

TITLE SPIRIT POWER STATION  
600 MIXER BOARD

DRG NO. ED 3845 F

SHT. 6 OF 7



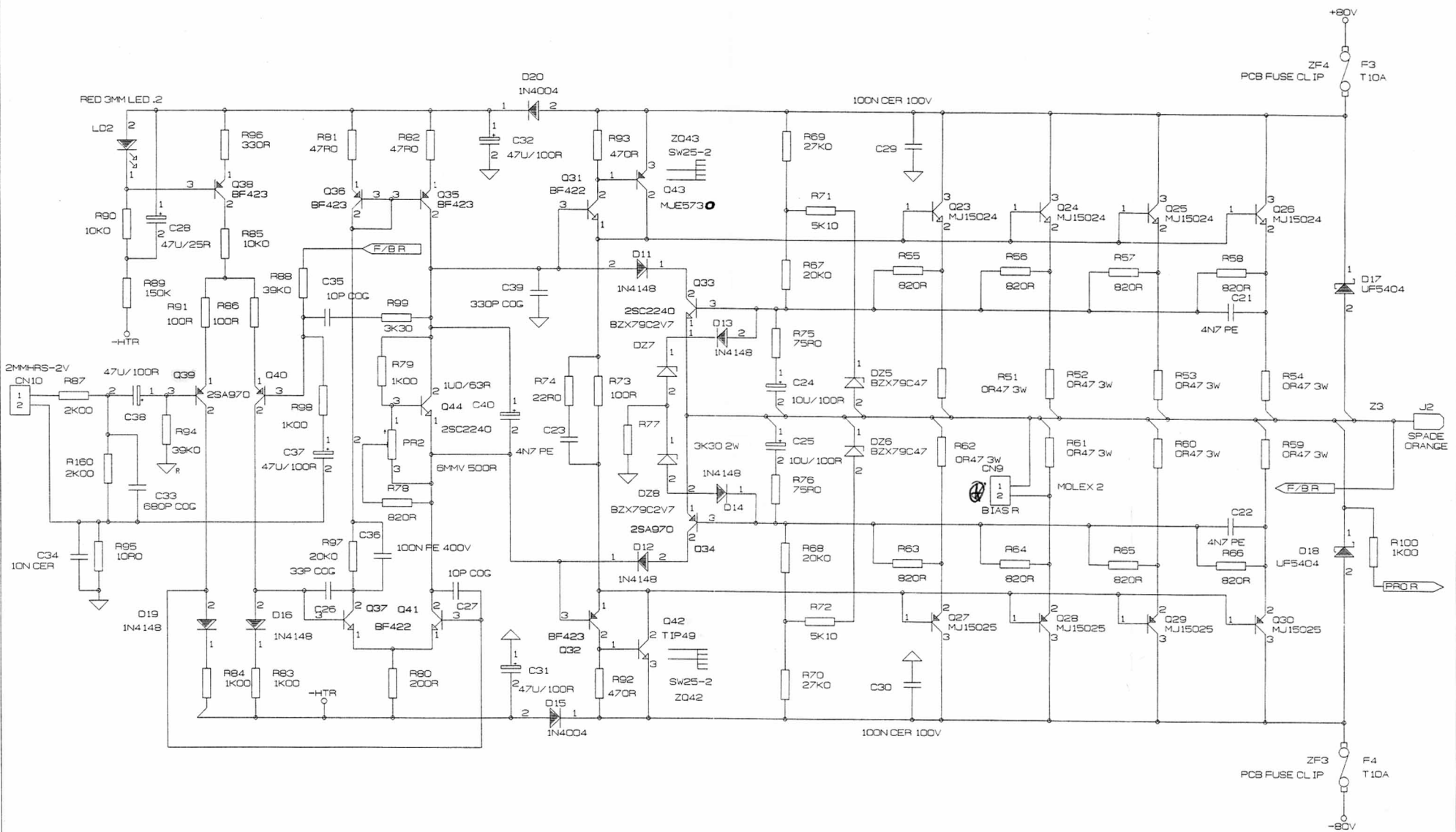
NOTES

NOTES

DRN.	GHB	TITLE	SPIRIT POWER STATION 1200 MONO INPUT
		DRG NO.	ED3886
SHT 1 OF 1			

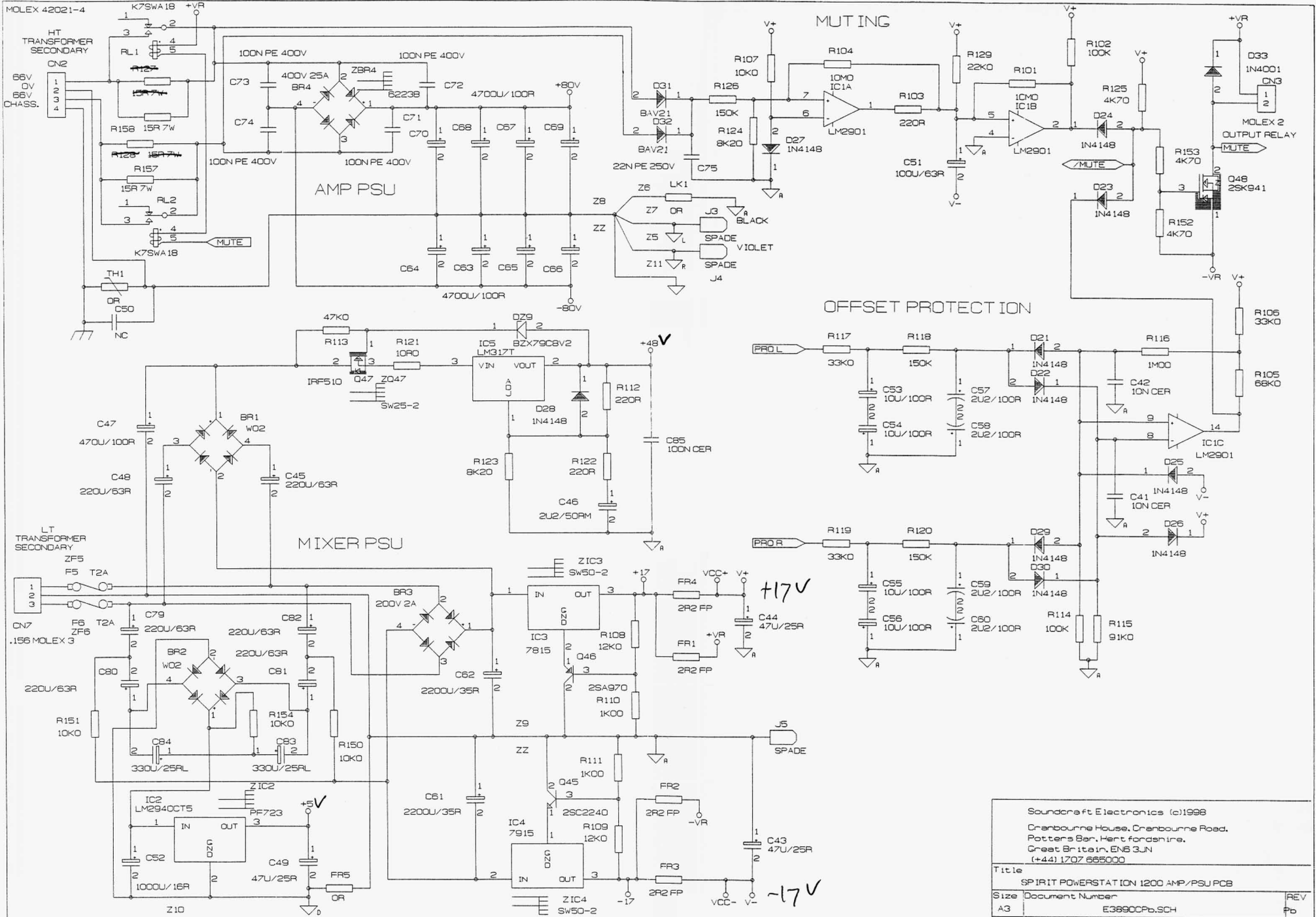






⊕ Bias Voltage set for 8mV.

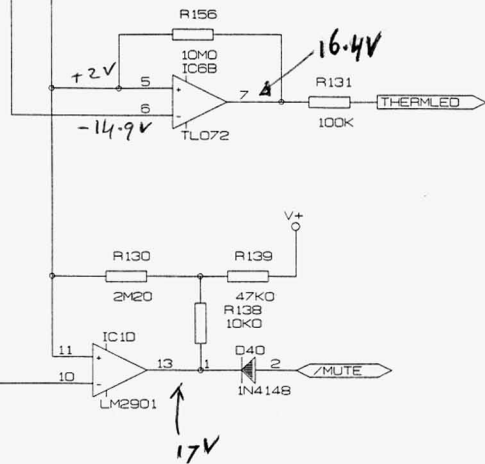
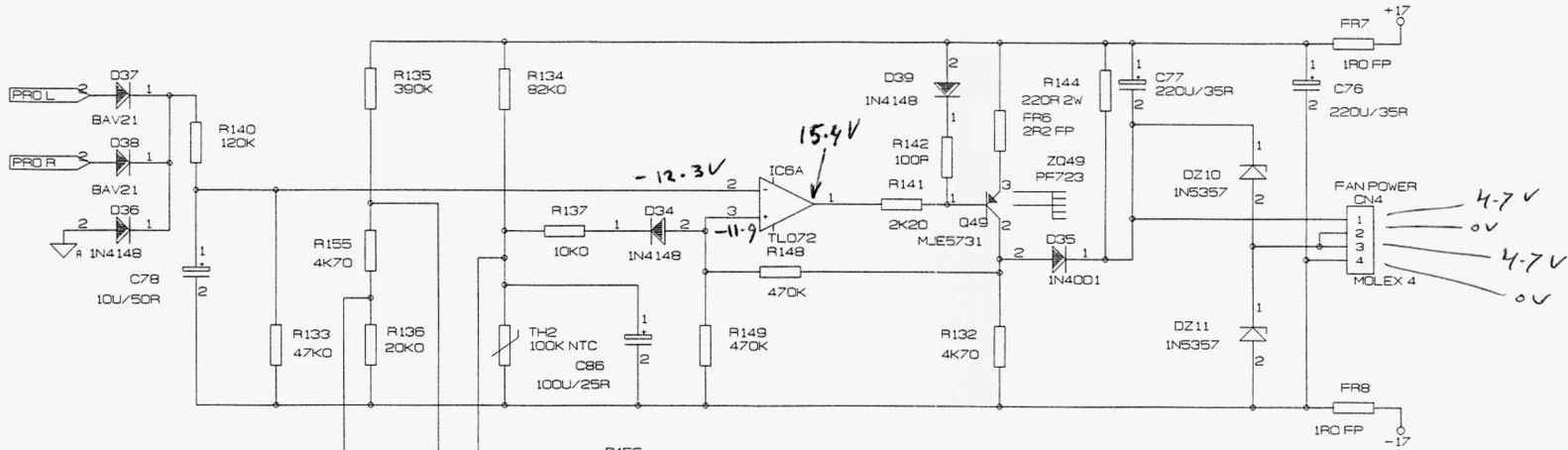
Soudcraft Electronics (c)1998 Cranbourne House, Potters Bar, Hertfordshire, England EN6 3JN (0)1707 665000			R AMP
Title SPIRIT POWERSTATION 1200 AMP/PSU PCB			
Size A3	Document Number ED38908Pb.SCH	REV Pb	
Date March 9, 1998	Sheet 2	of 4	



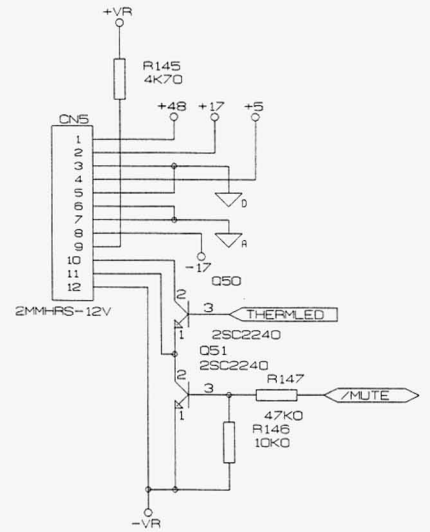
Soundcraft Electronics (c)1998  
 Cranbourne House, Cranbourne Road,  
 Potters Bar, Hertfordshire,  
 Great Britain, EN6 3JN  
 (+44) 1707 665000

Title	SPIRIT POWERSTATION 1200 AMP/PSU PCB	
Size	Document Number	REV
A3	E3690CPb.SCH	Pb
Date:	March 9, 1998	Sheet 3 of 4

# FAN SERVO



# MIXER CONNECTIONS



Soundcraft Electronics (c)1998  
 Cranbourne House, Cranbourne Road,  
 Potters Bar, Hertfordshire,  
 Great Britain, EN5 3JN  
 (+44) 1707 665000

Title		
SPIRIT POWERSTAT ION 1200 AMP/PSU PCB		
Size	Document Number	REV
A3	E38900Pb.SCH	Pb
Date:	March 9, 1998	Sheet 4 of 4