

ALL PARTS ON THIS SHEET ARE ON MAIN PREAMP BOARD UNLESS OTHERWISE NOTED.

CAUTION: THIS SCHEMATIC IS PROVIDED FOR USE BY QUALIFIED PERSONNEL. TO AVOID RISK OF ELECTRIC SHOCK, REFER SERVICING TO QUALIFIED SERVICE PERSONNEL. DO NOT PERFORM ANY SERVICING BEYOND THAT EXPLAINED IN THE OPERATING INSTRUCTIONS.

NOTES:  
 1) CAUTION: SHOCK HAZARD!! THIS UNIT CONTAINS HAZARDOUS VOLTAGE. DISCONNECT POWER AND BE SURE POWER SUPPLY IS DISCHARGED BEFORE TOUCHING INTERNAL PARTS.  
 2) UNLESS NOTED, RESISTOR VALUES IN OHMS, 1/4W-5% TOL. CAPACITOR VALUES IN MICROFARADS, 50V-10% TOL.  
 3) VOLTAGES ARE MEASURED WITH 1 MEGOHM OSCILLOSCOPE AND 10 MEGOHM DIGITAL VOLTMETER.

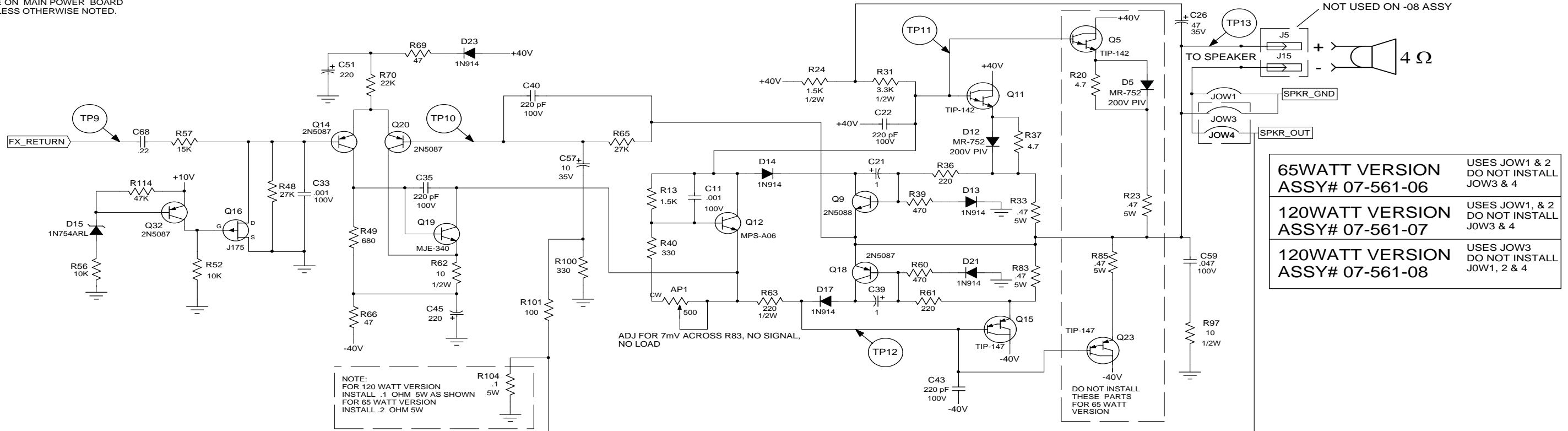
Power Table			
RefDes	Part Number	+16V	-16V
IC1	37-072-01	8	4
IC2	37-072-01	8	4
IC3	37-072-01	8	4
IC4	37-072-01	8	4
IC5	37-072-01	8	4

- TEST POINT CONDITIONS
- CONDITION "A" : 'SOLO' SELECTED, GAIN 1 @ 10, 'SHAPE' @ 5, LEVEL @ 10, 1kHz 40mV SINE WAVE INPUT
  - CONDITION "B" : RHYTHM SELECTED GAIN 2 @ 10, LOW & HIGH @ 5, LEVEL @ 10, 1kHz 40mV SINE WAVE INPUT
  - CONDITION "C" : CLEAN, LEVEL @ 10, LOW, MID, HIGH @ 5, 1kHz 130mV SINE WAVE INPUT

TP	CONDITION "A"	CONDITION "B"	CONDITION "C"
1			
2			
3			
4			
5			
6			
7			
8			

5	01/23/04	VALUE CHANGES	N01346	WFB		
4	10/23/03	INCORPORATED ECN, UPDATED & REDRAWN DRAWING	N01246, N01249	REM		
REV	Date	DESCRIPTION	Ecr(s)/Ecn(s)	Chgd By	Appvd by	Date
THE INFORMATION CONTAINED ON THIS DRAWING IS PROPRIETARY TO ST. LOUIS MUSIC, INC.						
Signatures:			Date:			
Drawn: REM			4/11/01			
Checked:			First Used On:			
Released:			11880 Borman Drive, St. Louis, MO 63146			
Plot Date: Fri Jan 23, 2004		Drawing Size: C		Drawing Title:		
Plot Time: 09:54:40		Drawing Type: Schematic		PWA - GUITAR AMP		
Tolerance:		Class Code: NONE		Drawing Number:		
Sheet 1 of 3		07S561				

ALL PARTS ON THIS SHEET ARE ON MAIN POWER BOARD UNLESS OTHERWISE NOTED.



<b>65WATT VERSION</b> ASSY# 07-561-06	USES JOW1 & 2 DO NOT INSTALL JOW3 & 4
<b>120WATT VERSION</b> ASSY# 07-561-07	USES JOW1, & 2 DO NOT INSTALL JOW3 & 4
<b>120WATT VERSION</b> ASSY# 07-561-08	USES JOW3 DO NOT INSTALL JOW1, 2 & 4

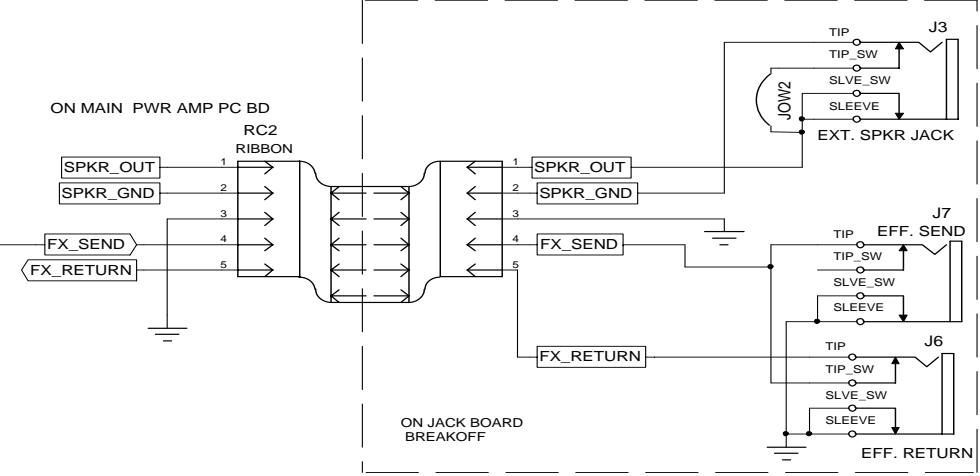
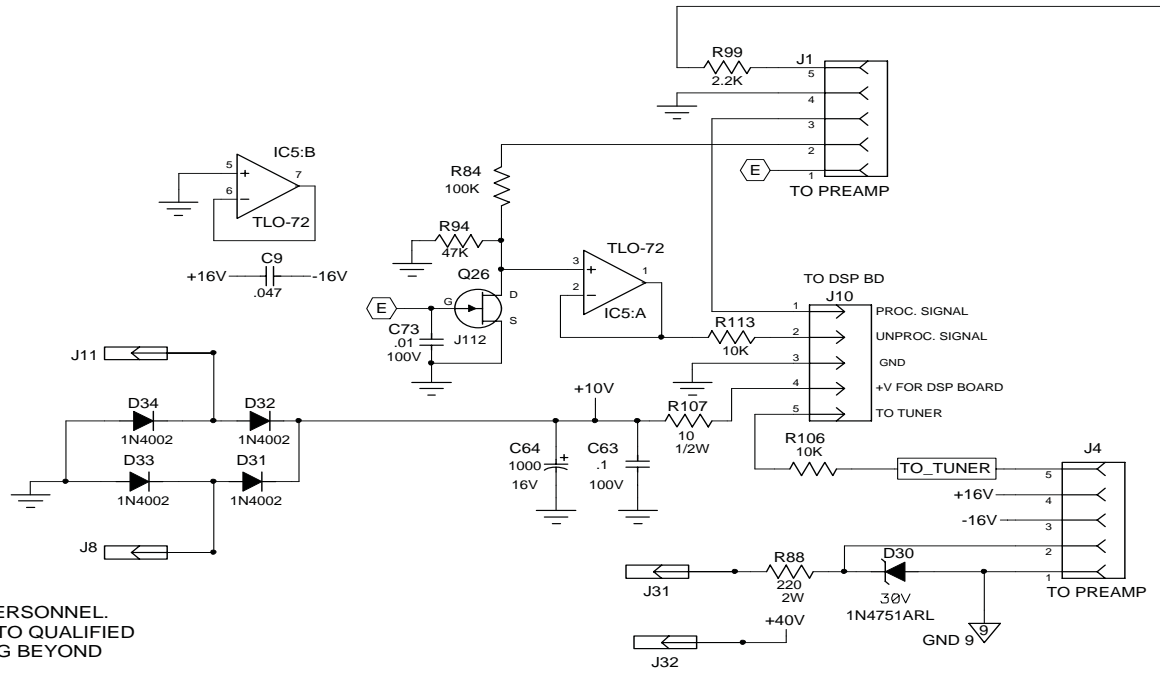
NOTE:  
FOR 120 WATT VERSION  
INSTALL .1 OHM 5W AS SHOWN  
FOR 65 WATT VERSION  
INSTALL .2 OHM 5W

DO NOT INSTALL  
THESE PARTS  
FOR 65 WATT  
VERSION

ADJ FOR 7mV ACROSS R83, NO SIGNAL,  
NO LOAD

TEST POINT CONDITIONS  
FOR POWER AMP:  
1kHz SINE WAVE INPUT INTO  
INSERT TIP, 4 OHM LOAD

TP	AC	DC
9	1Vpp	0V
10	.65Vpp	.23V
11	32.5Vpp	1.3V
12	32.5Vpp	-.06V
13	30Vpp	0V
14	1.5Vpp RIPPLE	35V
15	1.5Vpp RIPPLE	-35V



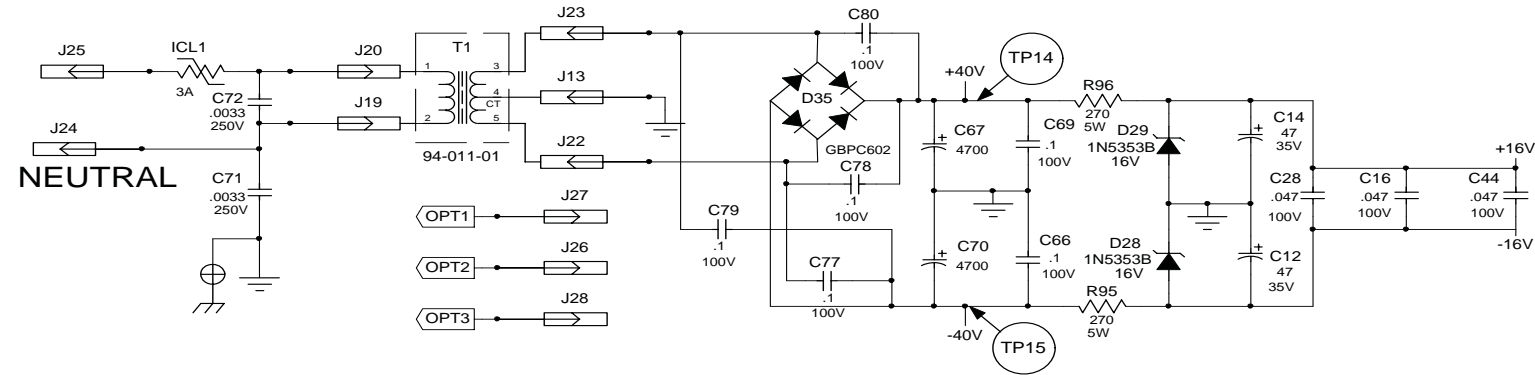
CAUTION:  
THIS SCHEMATIC IS PROVIDED FOR USE BY QUALIFIED PERSONNEL.  
TO AVOID RISK OF ELECTRIC SHOCK, REFER SERVICING TO QUALIFIED  
SERVICE PERSONNEL. DO NOT PERFORM ANY SERVICING BEYOND  
THAT EXPLAINED IN THE OPERATING INSTRUCTIONS.

NOTES:  
1) CAUTION: SHOCK HAZARD!!  
THIS UNIT CONTAINS HAZARDOUS VOLTAGE. DISCONNECT POWER  
AND BE SURE POWER SUPPLY IS DISCHARGED BEFORE  
TOUCHING INTERNAL PARTS.  
2) UNLESS NOTED, RESISTOR VALUES IN OHMS, 1/4W-5% TOL.  
CAPACITOR VALUES IN MICROFARADS, 50V-10% TOL.  
3) VOLTAGES ARE MEASURED WITH 1 MEGOHM OSCILLOSCOPE  
AND 10 MEGOHM DIGITAL VOLTMETER.

5	01/23/04	VALUE CHANGES	N01346	WFB		
4	10/23/03	INCORPORATED ECN, UPDATED & REDRAWN DRAWING	N01246, N01249	REM		
REV	Date	DESCRIPTION	Ecr(s)/Ecn(s)	Chgd By	Appvd by	Date
THE INFORMATION CONTAINED ON THIS DRAWING IS PROPRIETARY TO ST. LOUIS MUSIC, INC						
Signatures:			Date:			
Drawn: REM			4/11/01			
Checked:			First Used On:			
Released:			11880 Borman Drive, St. Louis, MO 63146			
Plot Date: Fri Jan 23, 2004		Drawing Size: C		Drawing Title:		
Plot Time: 09:54:40		Drawing Type: Schematic		PWA - GUITAR AMP		
Tolerance:		Class Code: NONE		Drawing Number:		
		Sheet 2 of 3		07S561		

ALL PARTS IN THIS SECTION  
ARE ON MAIN POWER BOARD

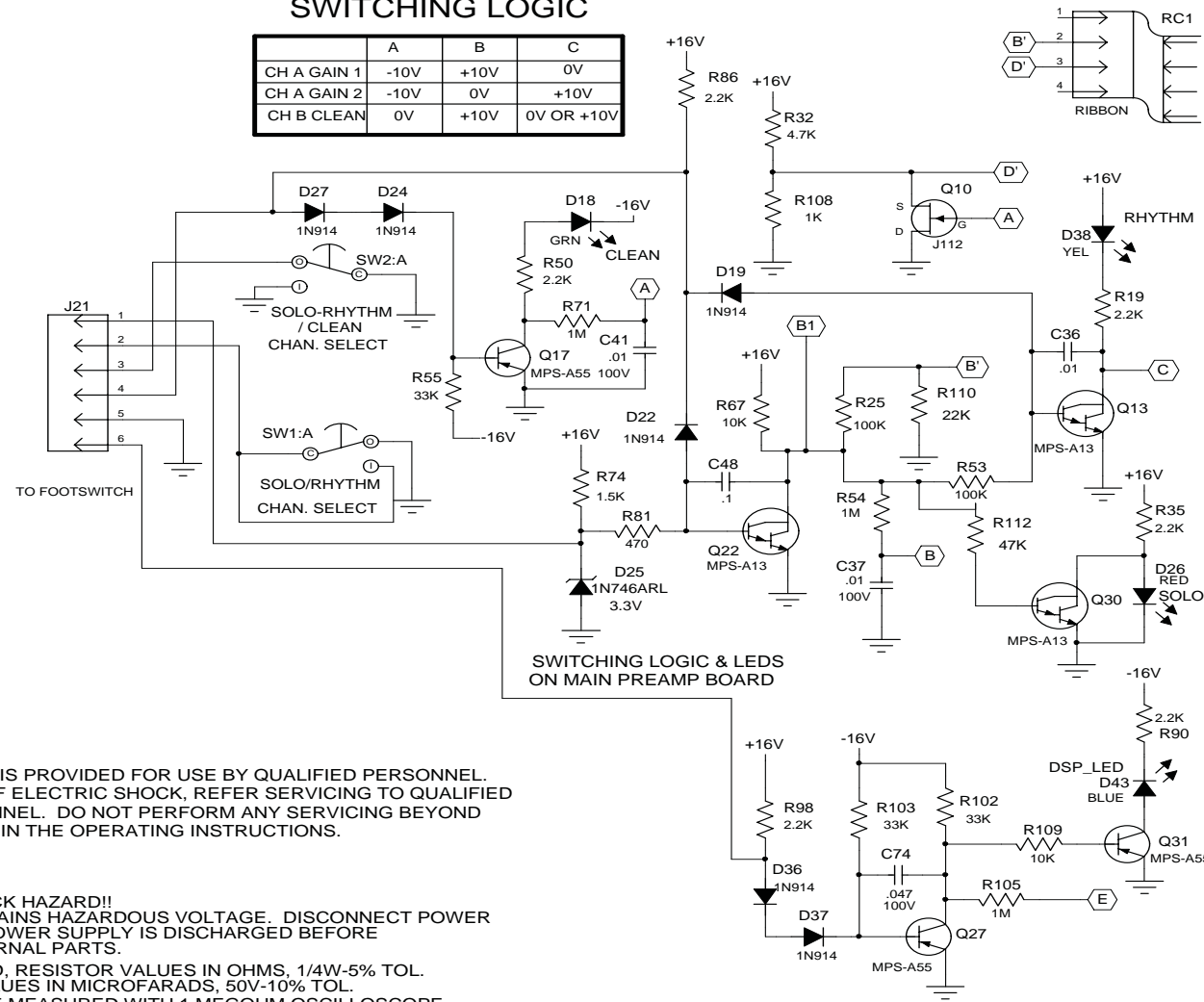
POWER SUPPLY CKT



ALL PARTS IN THIS SECTION  
ARE ON PREAMP BOARD

SWITCHING LOGIC

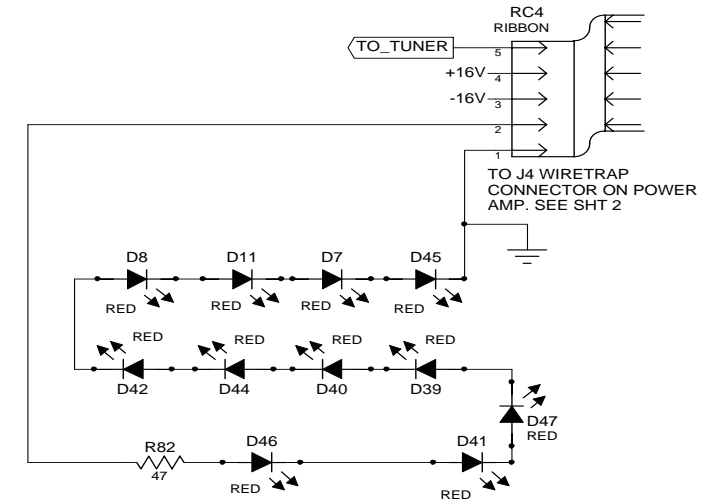
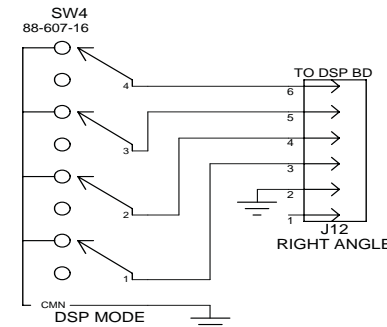
	A	B	C
CH A GAIN 1	-10V	+10V	0V
CH A GAIN 2	-10V	0V	+10V
CH B CLEAN	0V	+10V	0V OR +10V



SWITCHING LOGIC & LEDS  
ON MAIN PREAMP BOARD

CAUTION:  
THIS SCHEMATIC IS PROVIDED FOR USE BY QUALIFIED PERSONNEL.  
TO AVOID RISK OF ELECTRIC SHOCK, REFER SERVICING TO QUALIFIED  
SERVICE PERSONNEL. DO NOT PERFORM ANY SERVICING BEYOND  
THAT EXPLAINED IN THE OPERATING INSTRUCTIONS.

- NOTES:
- 1) CAUTION: SHOCK HAZARD!!  
THIS UNIT CONTAINS HAZARDOUS VOLTAGE. DISCONNECT POWER  
AND BE SURE POWER SUPPLY IS DISCHARGED BEFORE  
TOUCHING INTERNAL PARTS.
  - 2) UNLESS NOTED, RESISTOR VALUES IN OHMS, 1/4W-5% TOL.  
CAPACITOR VALUES IN MICROFARADS, 50V-10% TOL.
  - 3) VOLTAGES ARE MEASURED WITH 1 MEGOHM OSCILLOSCOPE  
AND 10 MEGOHM DIGITAL VOLTMETER.



REV	Date	DESCRIPTION	Ecr(s)/Ecn(s)	Chgd By	Appvd by	Date
5	01/23/04	VALUE CHANGES	N01346	WFB		
4	10/23/03	INCORPORATED ECN, UPDATED & REDRAWN DRAWING	N01246, N01249	REM		

THE INFORMATION CONTAINED ON THIS DRAWING IS PROPRIETARY TO  
ST. LOUIS MUSIC, INC.

Signatures:	Date:	 11880 Borman Drive, St. Louis, MO 63146
Drawn: REM	4/11/01	
Checked:		First Used On:
Released:		Drawing Title:
Plot Date: Fri Jan 23, 2004	Drawing Size: C	PWA - GUITAR AMP
Plot Time: 09:54:41	Drawing Type: Schematic	
Tolerance:	Class Code: NONE	Drawing Number:
	Sheet 3 of 3	07S561