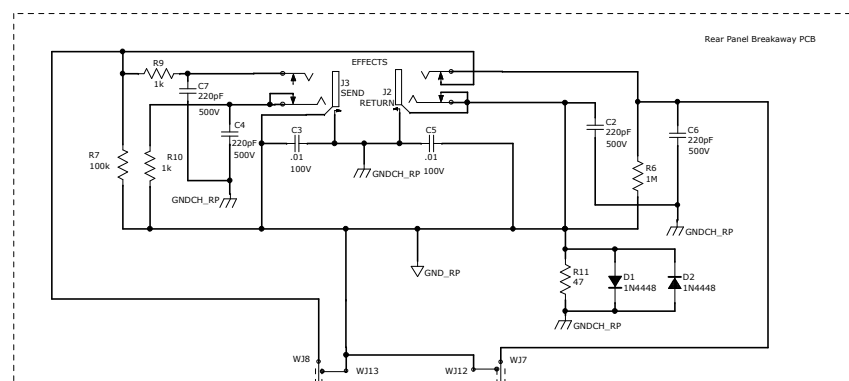


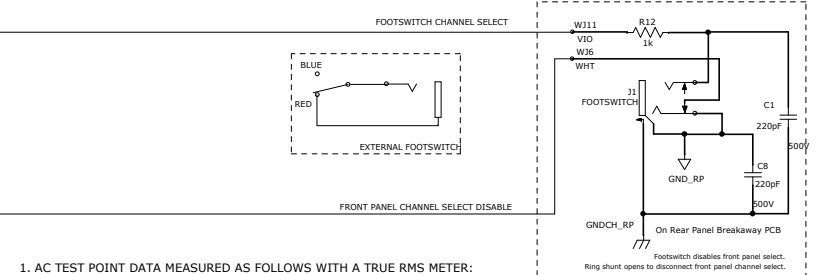
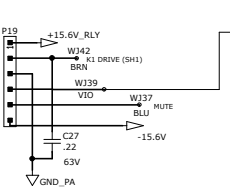
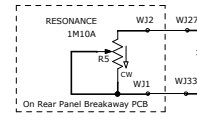
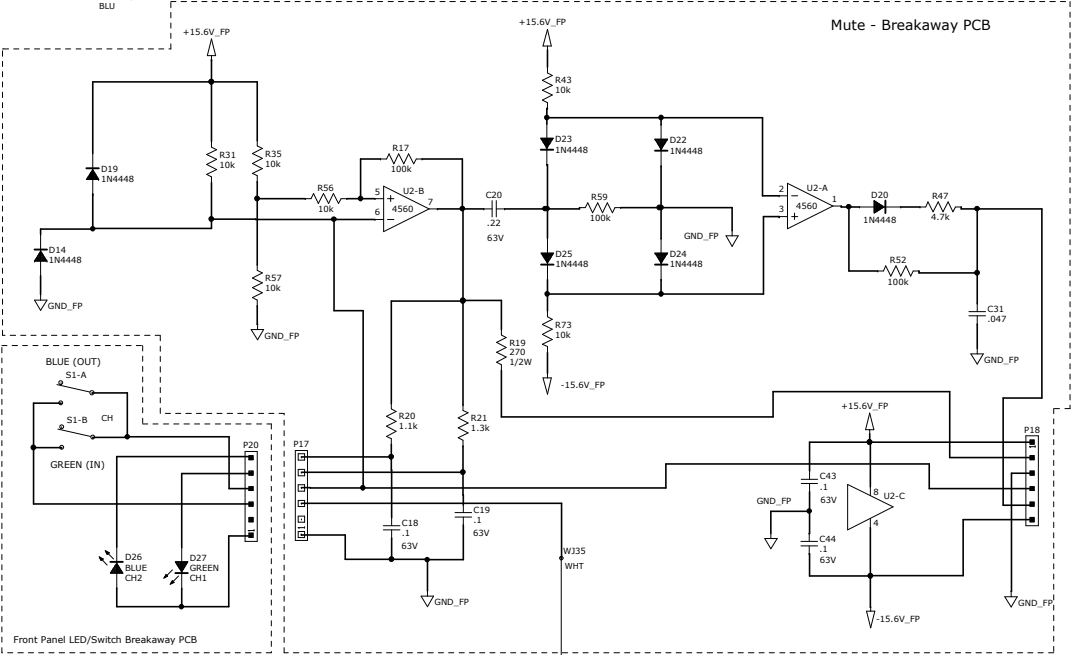
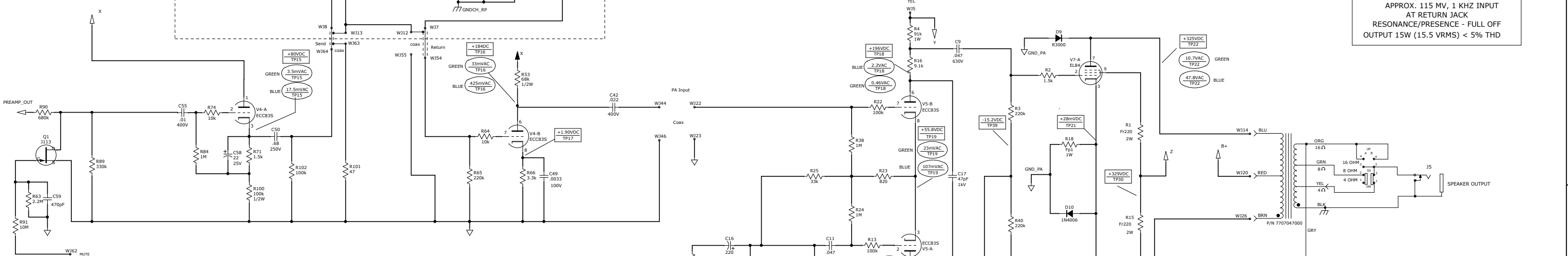
REVISIONS			
REV.	DESCRIPTION	DATE	APPROVED
A	PR4837	24-OCT-16	H B K

D
C
B
A

D
C
B
A



OUTPUT TEST
 AT RATED LINE VOLTAGE
 16 OHM OUTPUT
 BIAS SET TO 28mV AT TP21
 AMP SET TO FULL POWER
 APPROX. 115 MV, 1 KHZ INPUT
 AT RETURN JACK
 RESONANCE/PRESENCE - FULL OFF
 OUTPUT 15W (15.5 VRMS) < 5% THD



- AC TEST POINT DATA MEASURED AS FOLLOWS WITH A TRUE RMS METER:
 INSERT - 5 mV, 1KHz
 GAIN - 9 o'clock
 VOLUME - GREEN - full CW; BLUE - 9 o'clock
 LOW, MID, HIGH - 12 o'clock
 SELECT - GREEN or BLUE as indicated; either if not indicated
 POWER LEVEL - FULL
 RESONANCE - 12 o'clock
 - DC TEST POINT DATA MEASURED WITH NO SIGNAL INPUT.
 - THIS SCHEMATIC IS FOR PCB FABRICATION P/N 7710452000 AND PCB ASSEMBLY P/N 7710453000.
 - ALL DIODES ARE 1N4448.
 - ALL POLARIZED CAPACITORS IN uF, 20%; 50V MINIMUM.
 - ALL UNPOLARIZED CAPACITORS IN uF, 10% OR BETTER; 50V MINIMUM. (POWER SUPPLY BYPASS CAPACITORS ARE 20%).
 - ALL RESISTORS IN OHMS, 5%; 1/4W.
- NOTES: (UNLESS OTHERWISE NOTED)

THIS DOCUMENT CONTAINS INFORMATION OF A PROPRIETARY NATURE TO FENDER MUSICAL INSTRUMENTS AND IS SUBMITTED TO YOU IN CONFIDENCE AND SHALL NOT BE DISCLOSED OR TRANSMITTED TO OTHERS WITHOUT AUTHORIZATION FROM FENDER MUSICAL INSTRUMENTS.

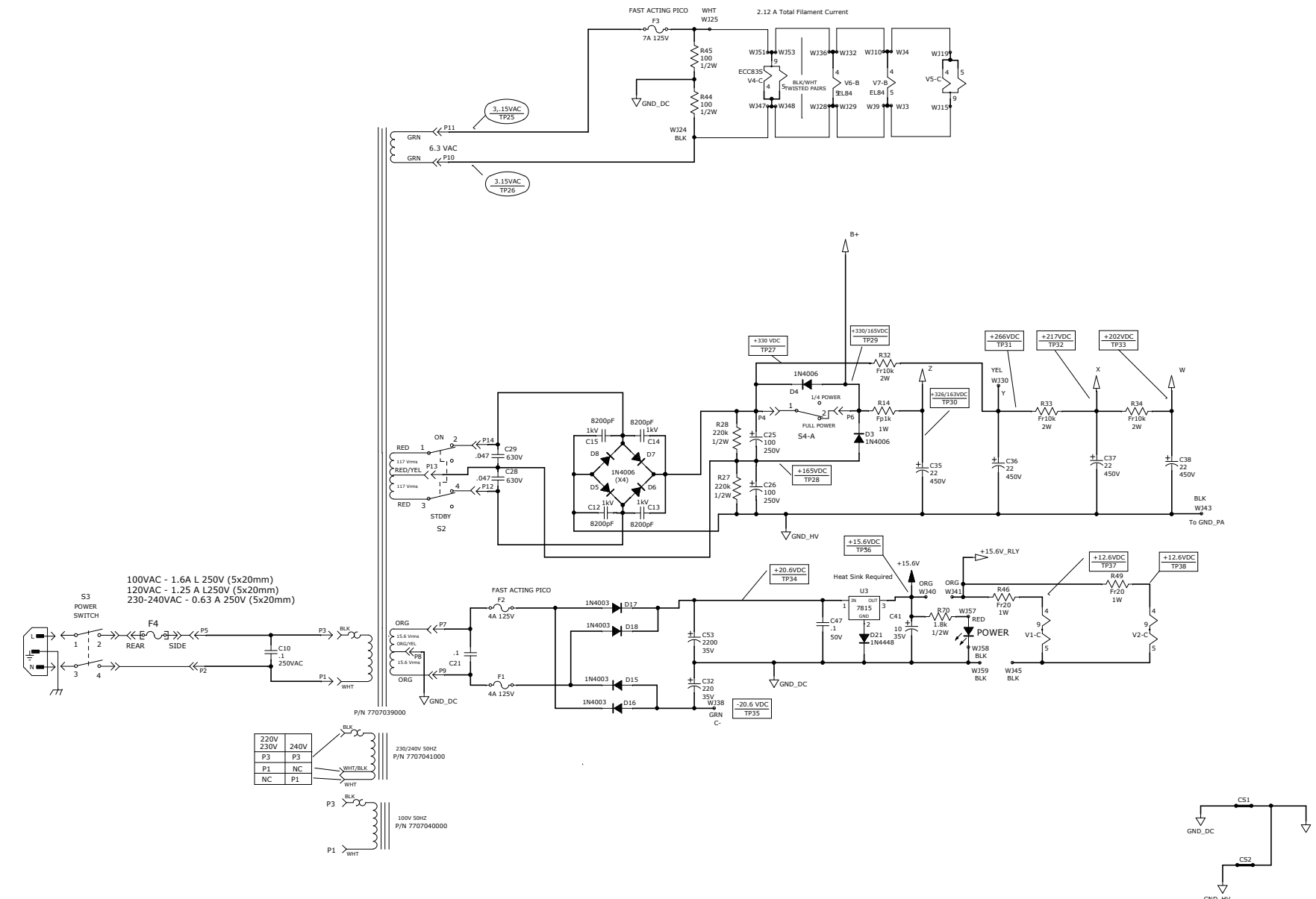
DRAWN: _____ ENGR: _____
 DATABASE FILE: Z4837S.SCH

Fender MUSICAL INSTRUMENTS
 Corona, CA U.S.A.

CHECKED BY: _____ TITLE: SERVICE DIAGRAM, COMBINED (schematic)
 DATE: _____ EVH 5150III LBXII AMP
 MAIN PCB

APPROVED BY: _____	SIZE: D	DRAWING NUMBER: 7710454000	REV: A
RELEASE DATE: 21-OCT-16	SHEET: 2 OF 4		

REVISIONS			
REV.	DESCRIPTION	DATE	APPROVED
A	PR4837	24-OCT-16	H B K



- AC TEST POINT DATA MEASURED AS FOLLOWS WITH A TRUE RMS METER:
 INSERT - 5 mV, 1KHz
 GAIN - 9 o'clock
 VOLUME - 9 o'clock
 LOW, MID, HIGH - 12 o'clock
 SELECT - GREEN or BLUE as indicated; either if not indicated
 POWER LEVEL - FULL
 RESONANCE - 12 o'clock
- DC TEST POINT DATA MEASURED WITH NO SIGNAL INPUT.

- THIS SCHEMATIC IS FOR PCB FABRICATION P/N 7710452000 AND PCB ASSEMBLY P/N 7710453000.
 - ALL DIODES ARE 1N4448.
 - ALL POLARIZED CAPACITORS IN uF, 20%; 50V MINIMUM.
 - ALL UNPOLARIZED CAPACITORS IN uF, 10% OR BETTER; 50V MINIMUM. (POWER SUPPLY BYPASS CAPACITORS ARE 20%).
- NOTES: (UNLESS OTHERWISE NOTED)

THIS DOCUMENT CONTAINS INFORMATION OF A PROPRIETARY NATURE TO FENDER MUSICAL INSTRUMENTS AND IS SUBMITTED TO YOU IN CONFIDENCE AND SHALL NOT BE DISCLOSED OR TRANSMITTED TO OTHERS WITHOUT AUTHORIZATION FROM FENDER MUSICAL INSTRUMENTS.		MUSICAL INSTRUMENTS Corona, CA U.S.A.	
CHECKED BY:	DATE:	TITLE: SERVICE DIAGRAM, COMBINED (schematic) EVH 5150III LBXII AMP MAIN PCB	
APPROVED BY:	DATE:	SIZE: D	DRAWING NUMBER: 7710454000
DRAWN:	ENGR:	REV. A	
DATABASE FILE: Z4837S.SCH		RELEASE DATE: 21-OCT-16	SHEET: 3 OF 4

8

7

6

5

4

3

2

1

REVISIONS			
REV.	DESCRIPTION	DATE	APPROVED
A	PR4837	24-OCT-16	H B K

D

D

C

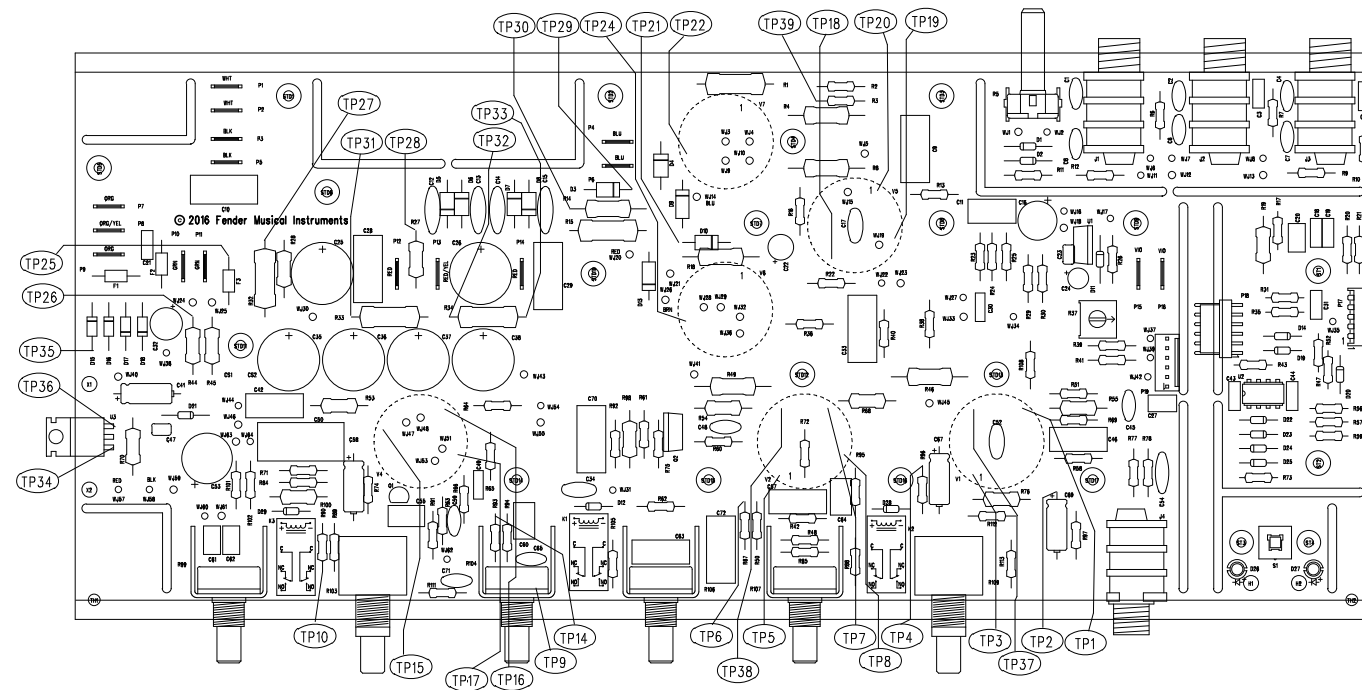
C

B

B


A

A



FILM/DWG: SERVICE DIAGRAM
 DATABASE: Z4837P.PCB DATE: 24-OCT-16

NOTES: (UNLESS OTHERWISE NOTED)

<small>THIS DOCUMENT CONTAINS INFORMATION OF A PROPRIETARY NATURE TO FENDER MUSICAL INSTRUMENTS AND IS SUBMITTED TO YOU IN CONFIDENCE AND SHALL NOT BE DISCLOSED OR TRANSMITTED TO OTHERS WITHOUT AUTHORIZATION FROM FENDER MUSICAL INSTRUMENTS.</small>		 MUSICAL INSTRUMENTS Corona, CA U.S.A.	
CHECKED BY: DATE:		TITLE: SERVICE DIAGRAM, COMBINED (PCB assy) EVH 5150III LBXII Main PCB	
APPROVED BY: DATE:		SIZE: D	DRAWING NUMBER: 7710454000
DRAWN:	ENGR:	RELEASE DATE: 24-OCT-16	REV. A
DATABASE FILE: Z4837P.PCB		SHEET 4 OF 4	

8

7

6

5

4

3

2

1