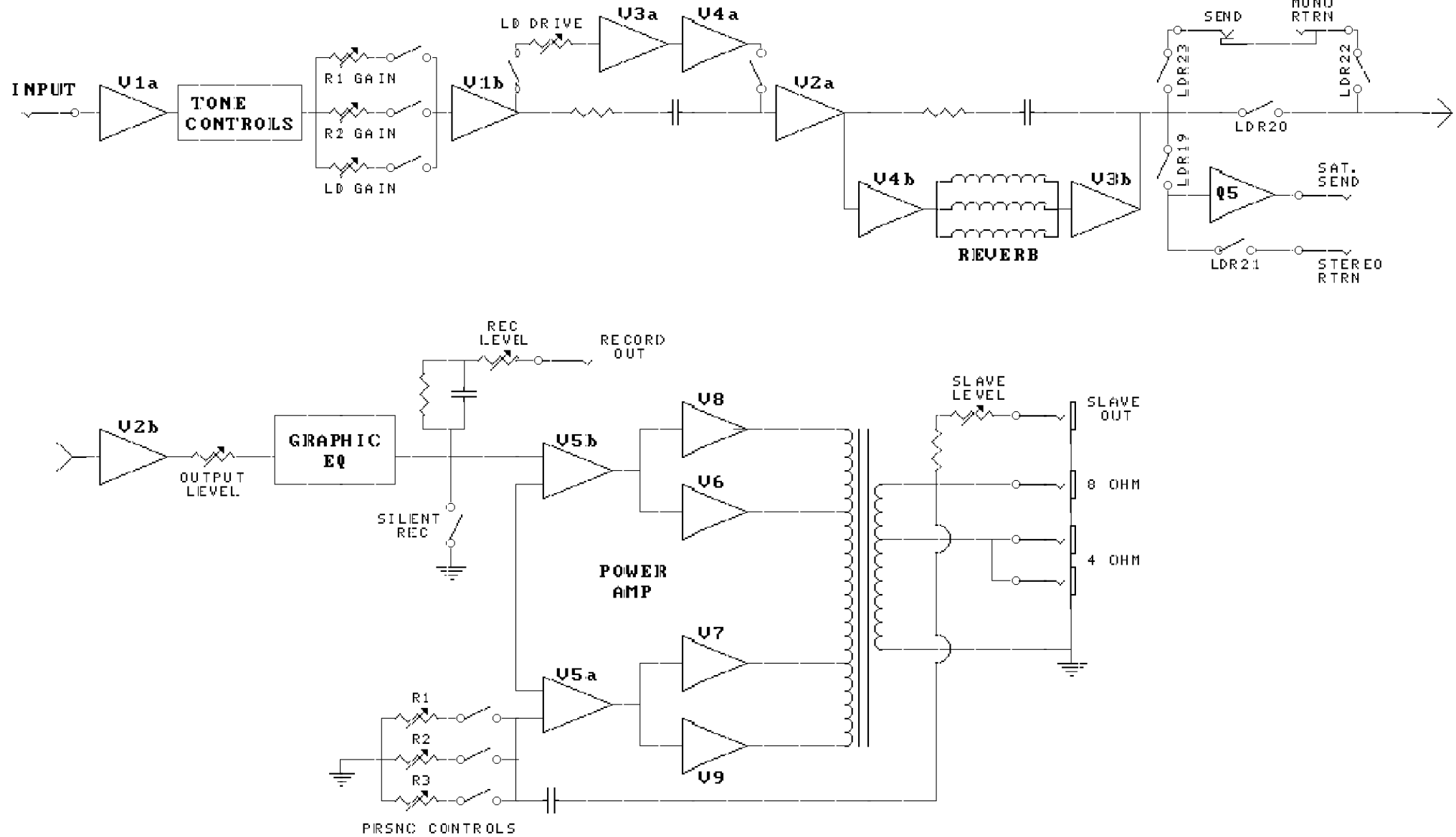


MESA/BOOGIE[®]
Mark IV B

MESA-BOOGIE MARK IUB

BLOCK DIAGRAM

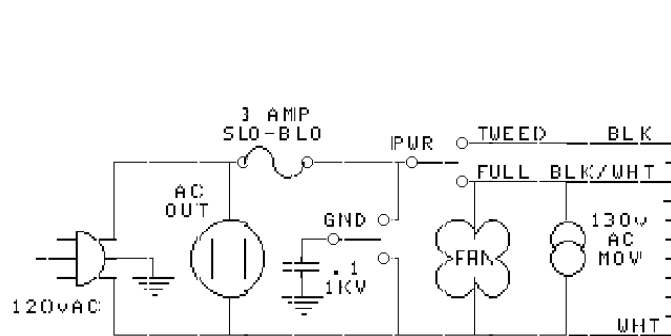
FILE MK4BBL0CK.S01



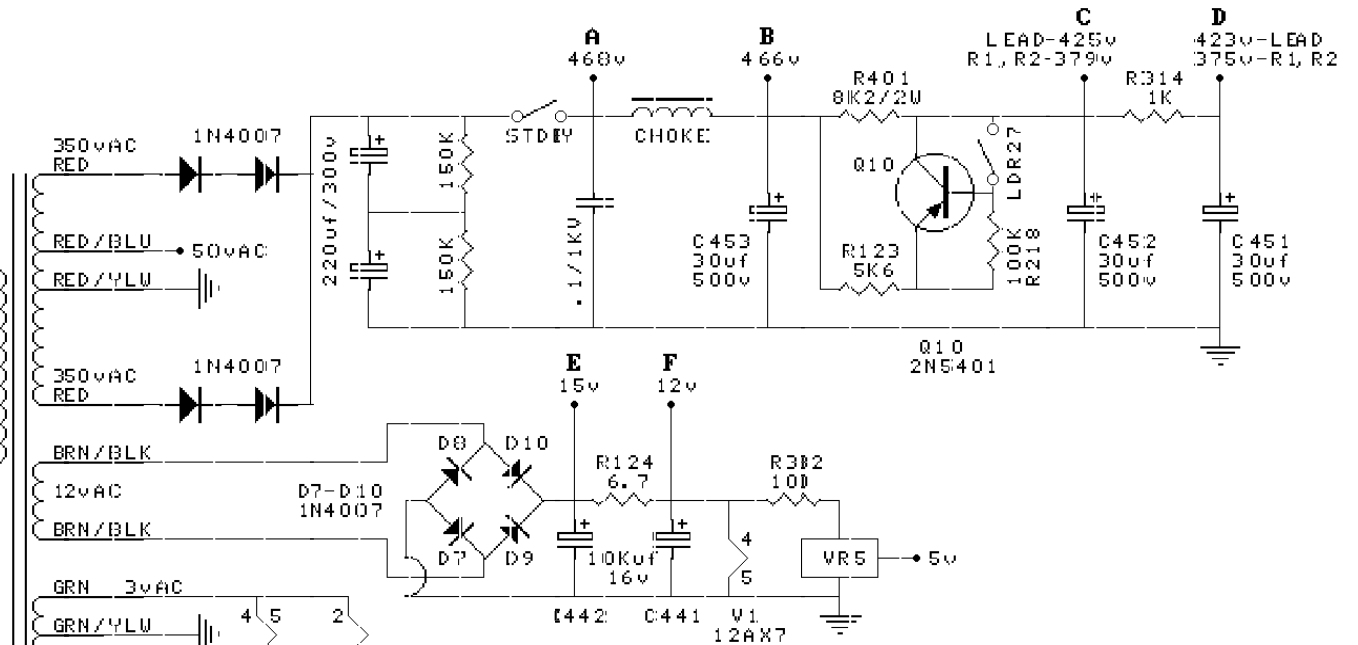
MESA-BOOGIE MARK IUB

POWER SUPPLIES

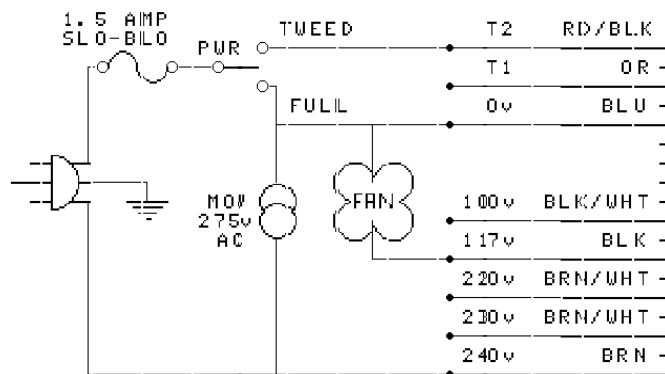
FILE MK4BSUPP.S01



XFMR #561140
V2-V5 12AX7
V6-V9 6L6

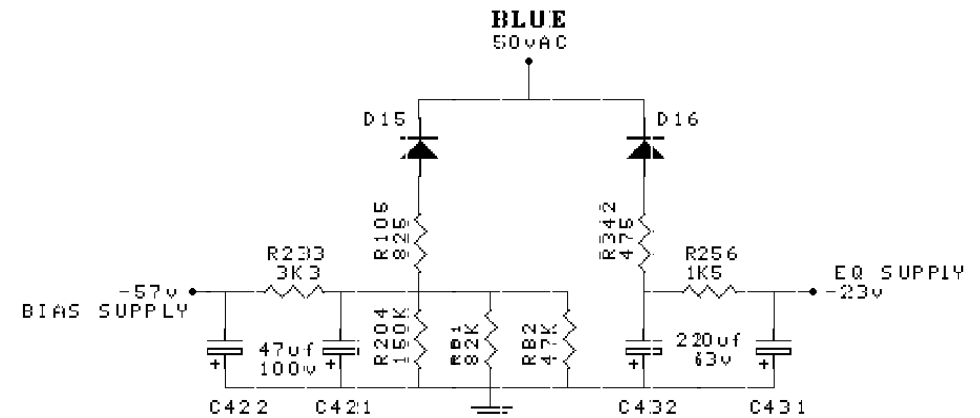


LOW VOLTAGE SUPPLIES



EXPORT PRIMARY

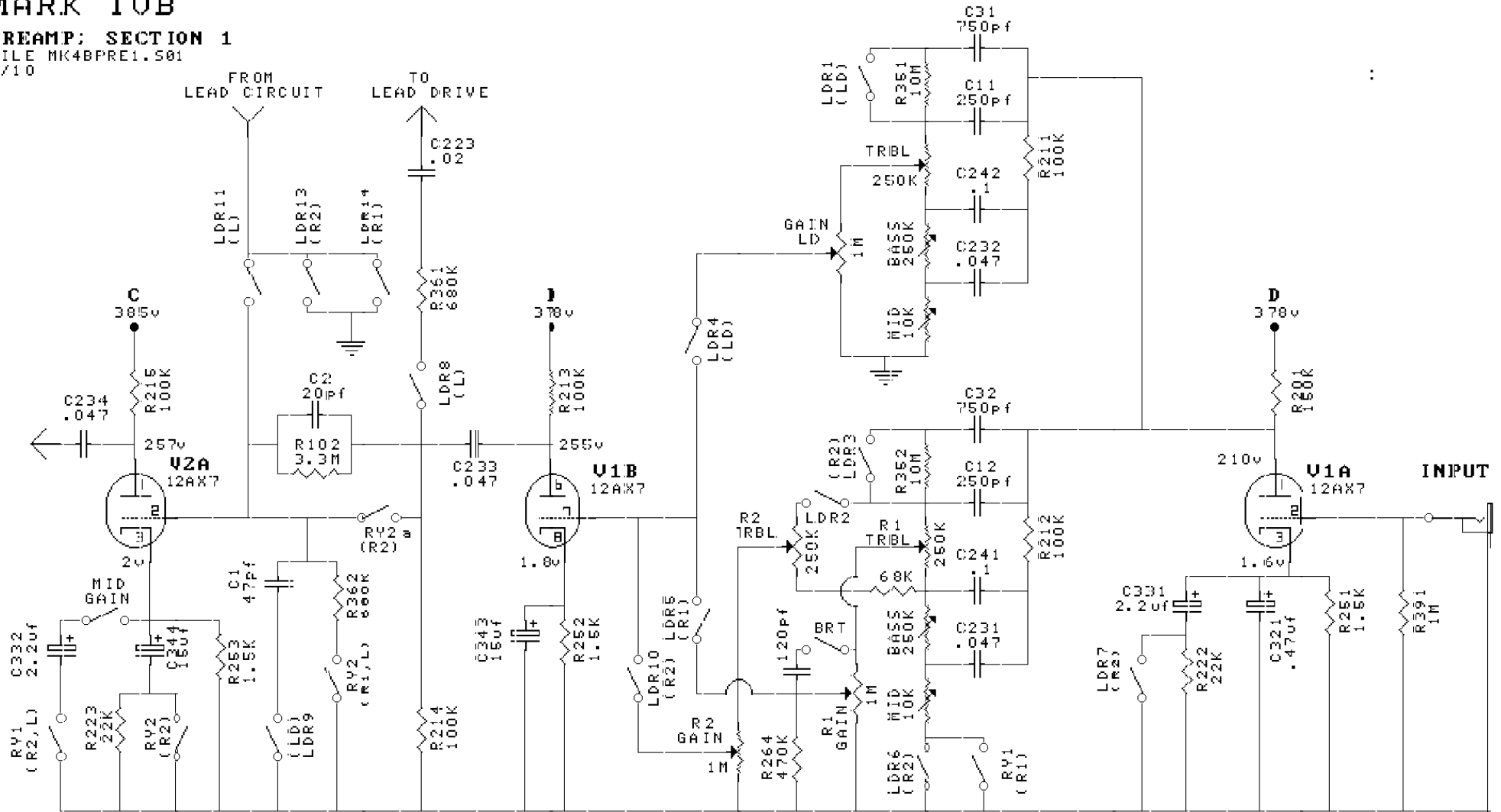
XFMR #561141



LOW V NEGATIVE SUPPLIES

MESA-BOOGIE MARK IUB

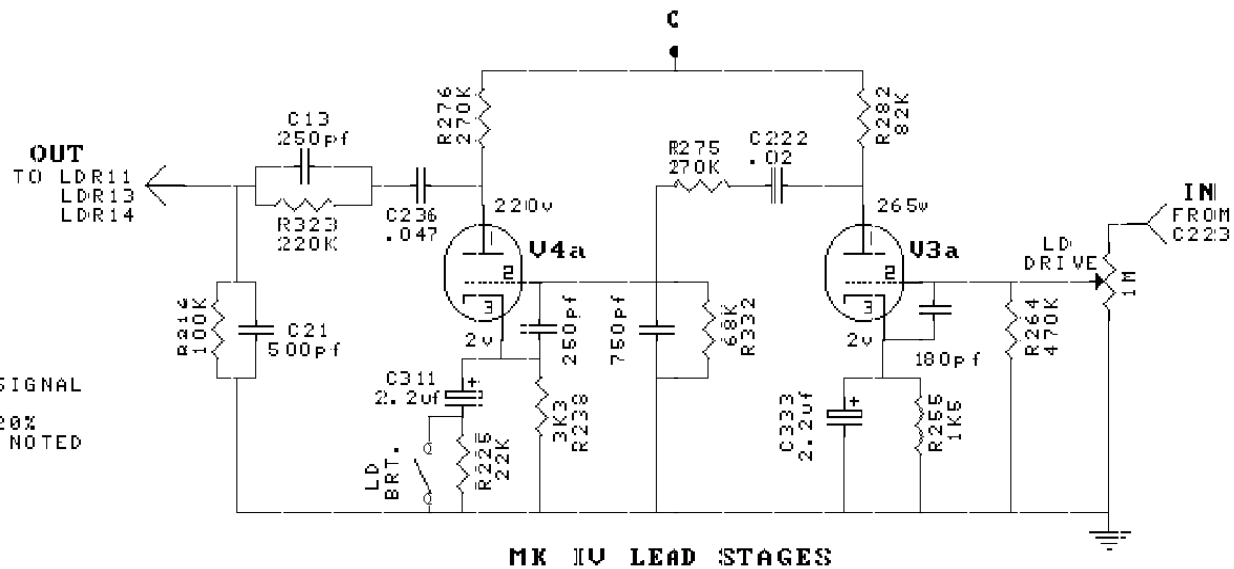
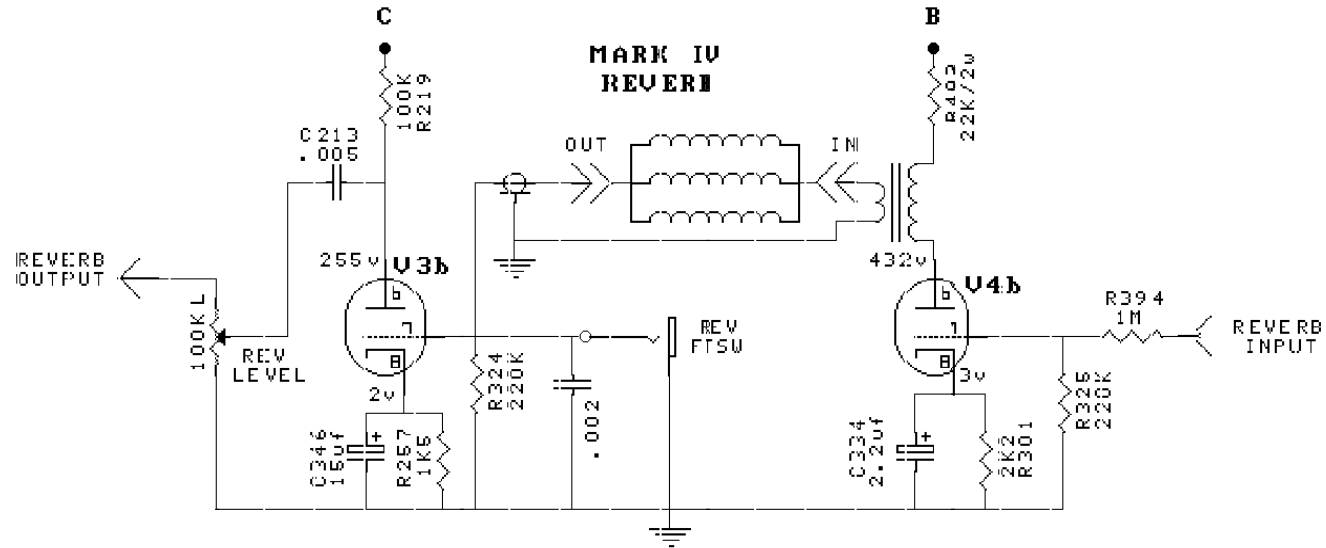
PREAMP; SECTION 1
FILE MK4BPRE1.S01
3/10



VOLTAGES MEASURED NO SIGNAL
117V AC MAINS
DC VOLTAGES MAY VARY 20%
RESISTORS 1/2w UNLESS NOTED

MESA-BOOGIE MARK IVB

PREAMP PART TWO
FILE MK4BP2.501



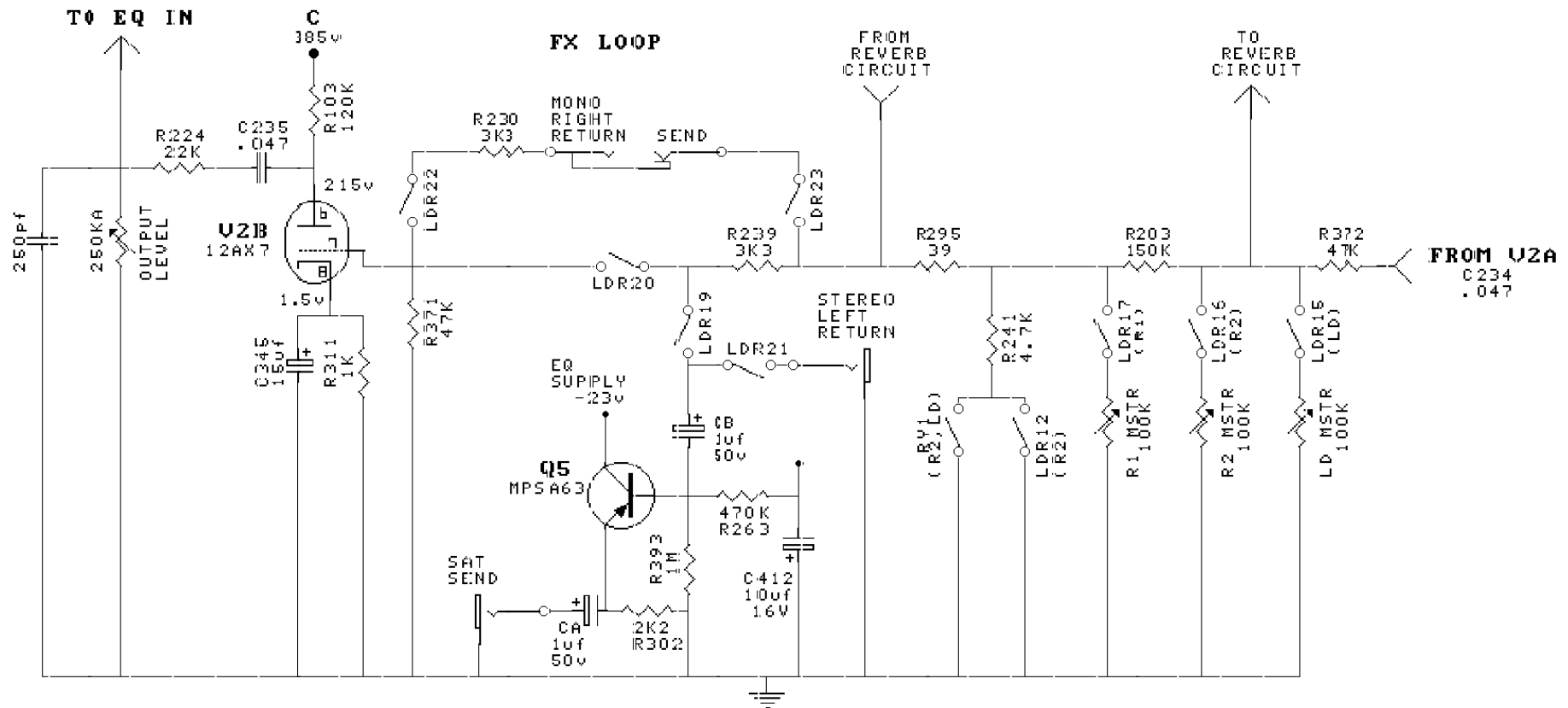
VOLTAGES MEASURED NO SIGNAL
117v AC MAINS
DC VOLTAGES MAY VARY 20%
RESISTORS 1/2w UNLESS NOTED

MESA-BOOGIE MARK IVB

PREAMP PART 3

FILE MK4BPRE3.S01

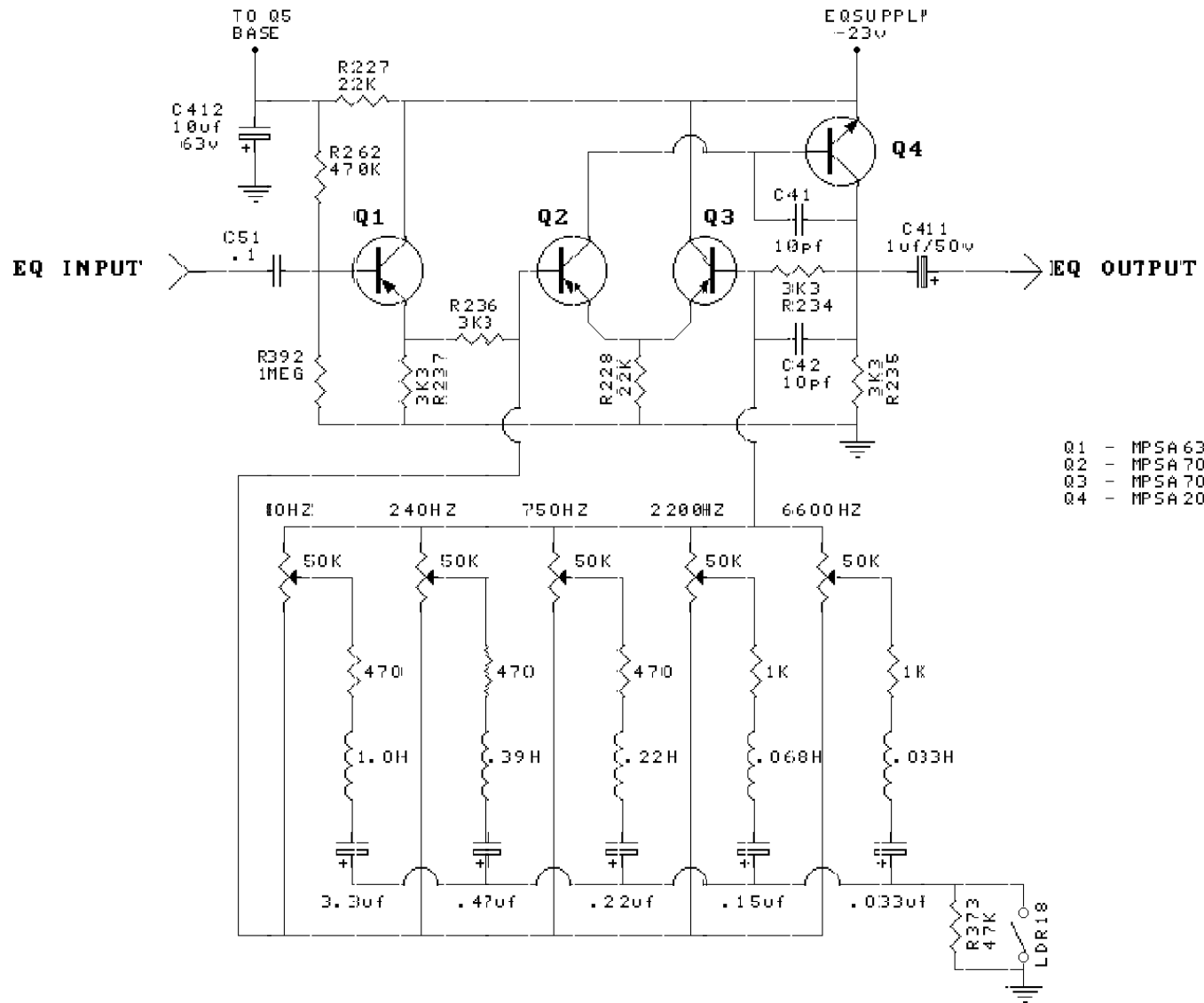
	LOOP ON	LOOP OFF
LDR18	OFF	LDR19 ON
LDR20	OFF	LDR20 ON
LDR21	ON	LDR21 OFF
LDR22	ON	LDR22 OFF
LDR23	ON	LDR23 OFF



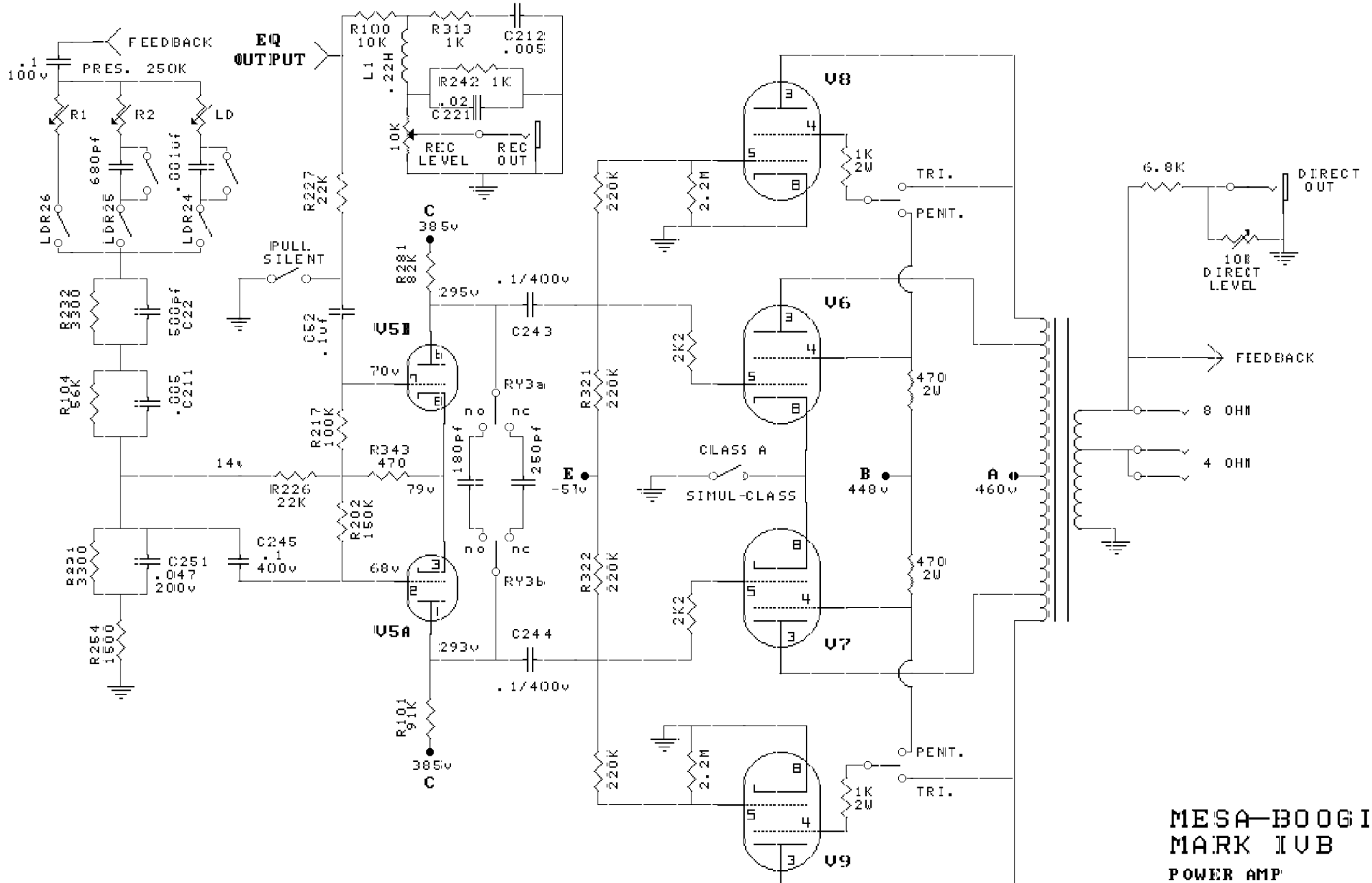
MESA-BOOGIE MARK IUB

GRAPHIC EQ

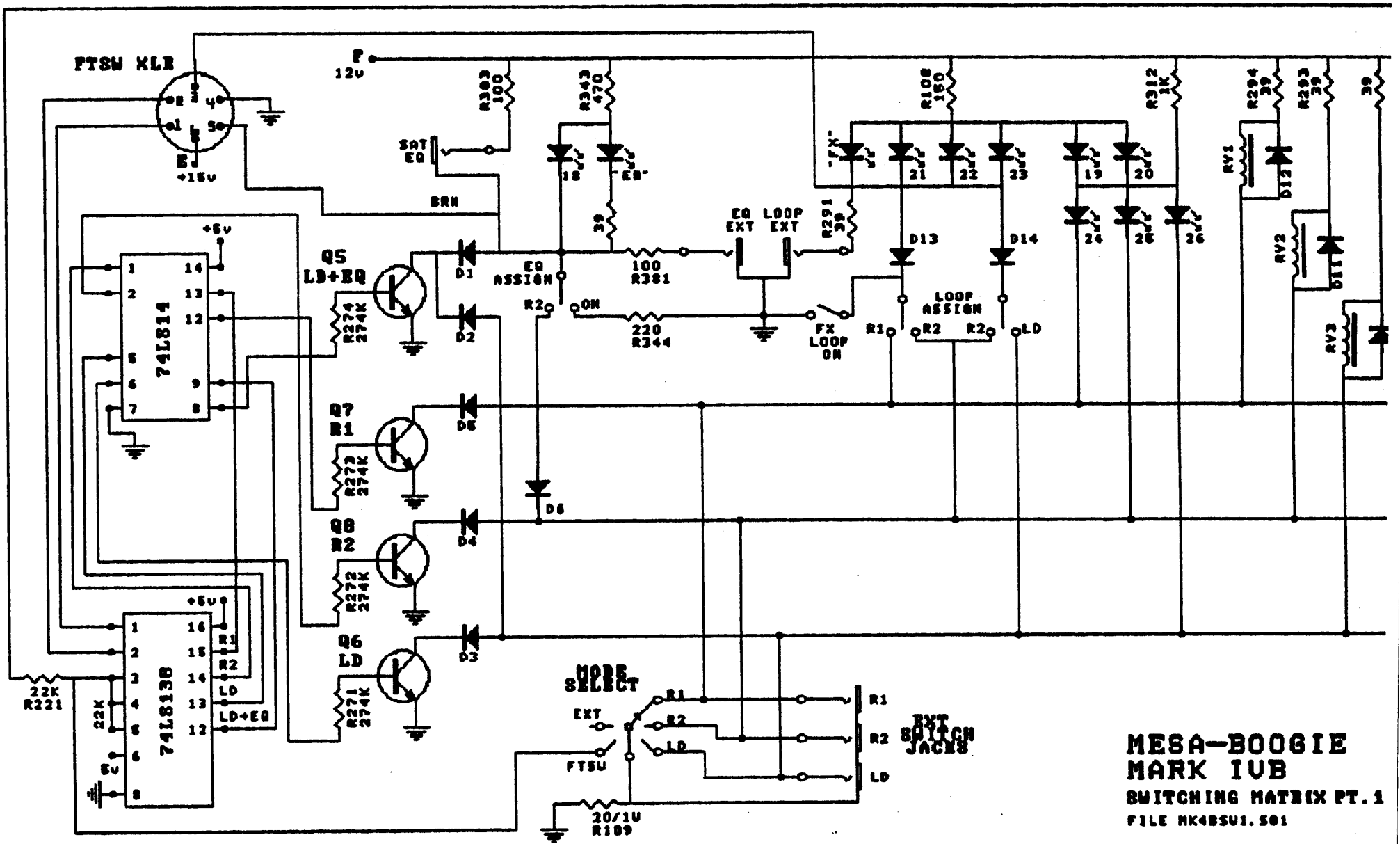
FILE MK4BEQ.541



IN

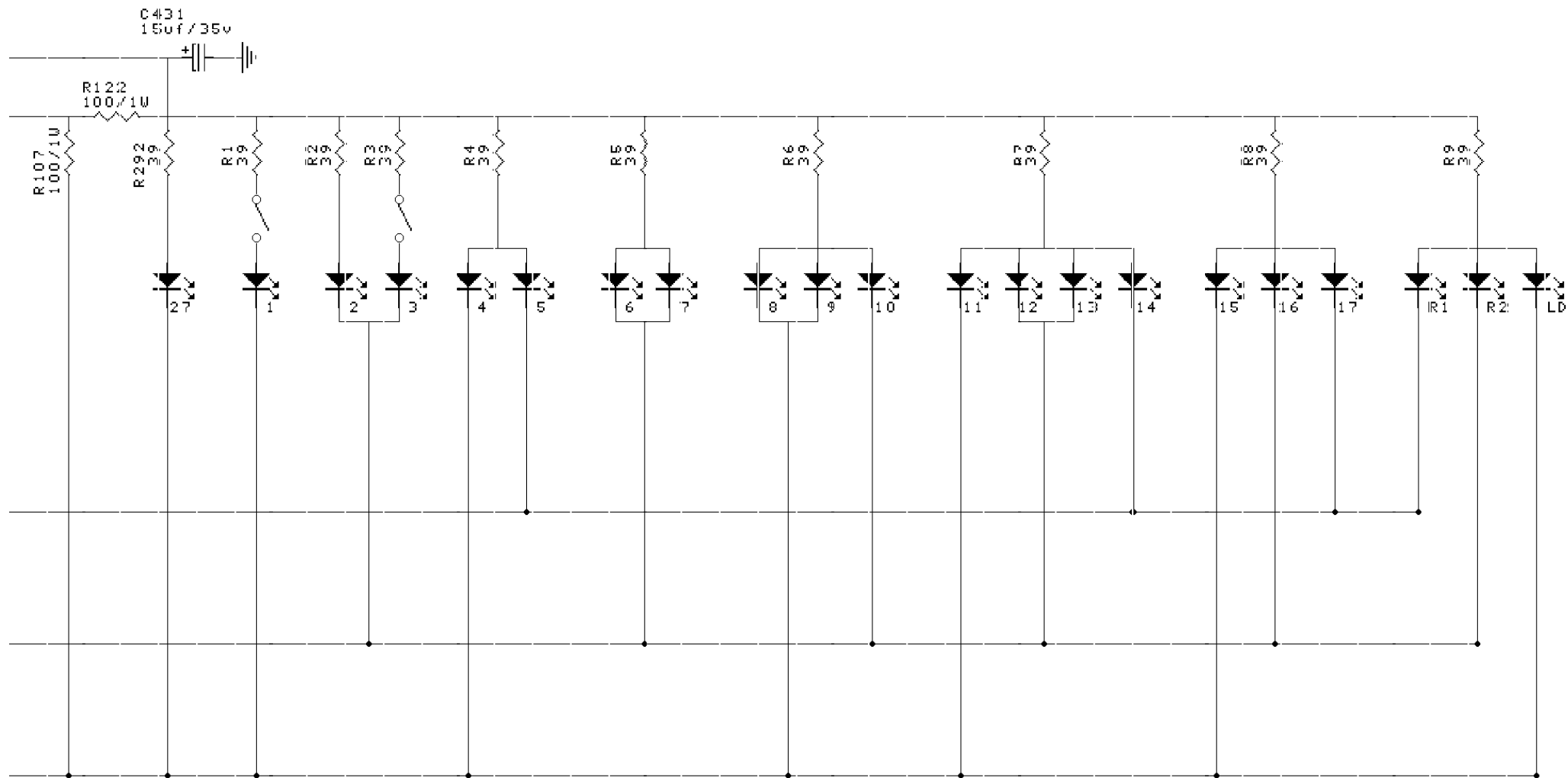


MESA-BOOGIE
MARK IUB
POWER AMP



**MESA-BOOGIE
MARK IUB
SWITCHING MATRIX PT. 1
FILE HK4BSU1.501**

7/9



MESA-BOOGIE
 MARK IUB
 SWITCHING MATRIX PT2
 FILE MK4BSU2.S01

