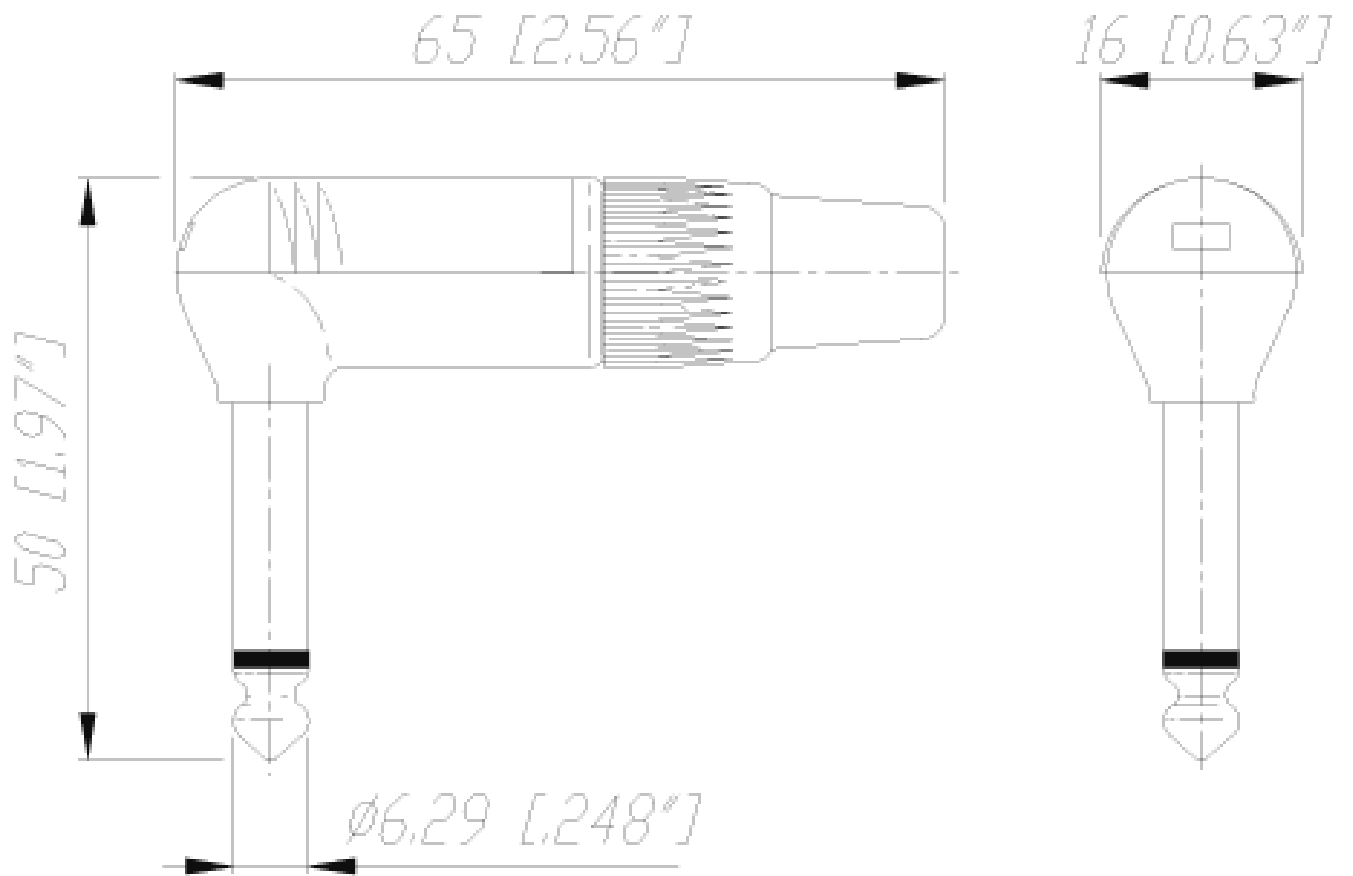


**NP2RCS**

1/4" professional phone plug, all metal, no rivets. Super slim shape, sleeve and shell in one piece. 2 pole.



## **Plugs / 1/4" Prof. Phone Plugs, C-Series**

`The lifetime plug` Diecast shell, Neutrik unique chuck-type strain relief with PU-sleeve for optimal cable protection. Right-angle version with super slim shape, sleeve contact and shell in one piece.

### TECHNICAL DATA

#### Electrical

Rated current: depends on mating connector

Contact resistance: depends on mating connector

Insulation resistance - initial: > 2 G  $\Omega$

- after damp heat test: = 1 G  $\Omega$

Dielectric strength: 1 kV dc

#### Mechanical

Wiring: solder terminals

Wire size: 1 mm<sup>2</sup> / AWG 18

Cable O.D.: 4 - 7 mm

Solderability: complies with IEC 68-2-20

#### Materials

Shell ZnAl4Cu1, Ni or black Cr plated

- RCS: only Ni plated / PA6 50% GR

Insulation: PA 6.6 30% GR

Contacts: CuZn39Pb3, 2  $\mu$ m Ni (Su) or gold plated

Chuck: POM

Bushing: POM + PU

Temperature range: -20°C to +65°C

#### Compatibility / Remarks

NP2C with built-in 1:10 transformer to convert mic level to guitar inputs: add suffix "T10AA"

Compatibility:

EIA RS-453/IEC 60603-11

**Copyright © 2005**

**Neutrik® AG.**

**All Rights Reserved.**

#### **Neutrik® AG - Headquarters**

Im alten Riet 143

9494 Schaan

Principality of Liechtenstein

**phone:** +423 2372424

**fax:** +423 2325393

**email:** [neutrik@neutrik.com](mailto:neutrik@neutrik.com)

**net:** <http://www.neutrik.com>