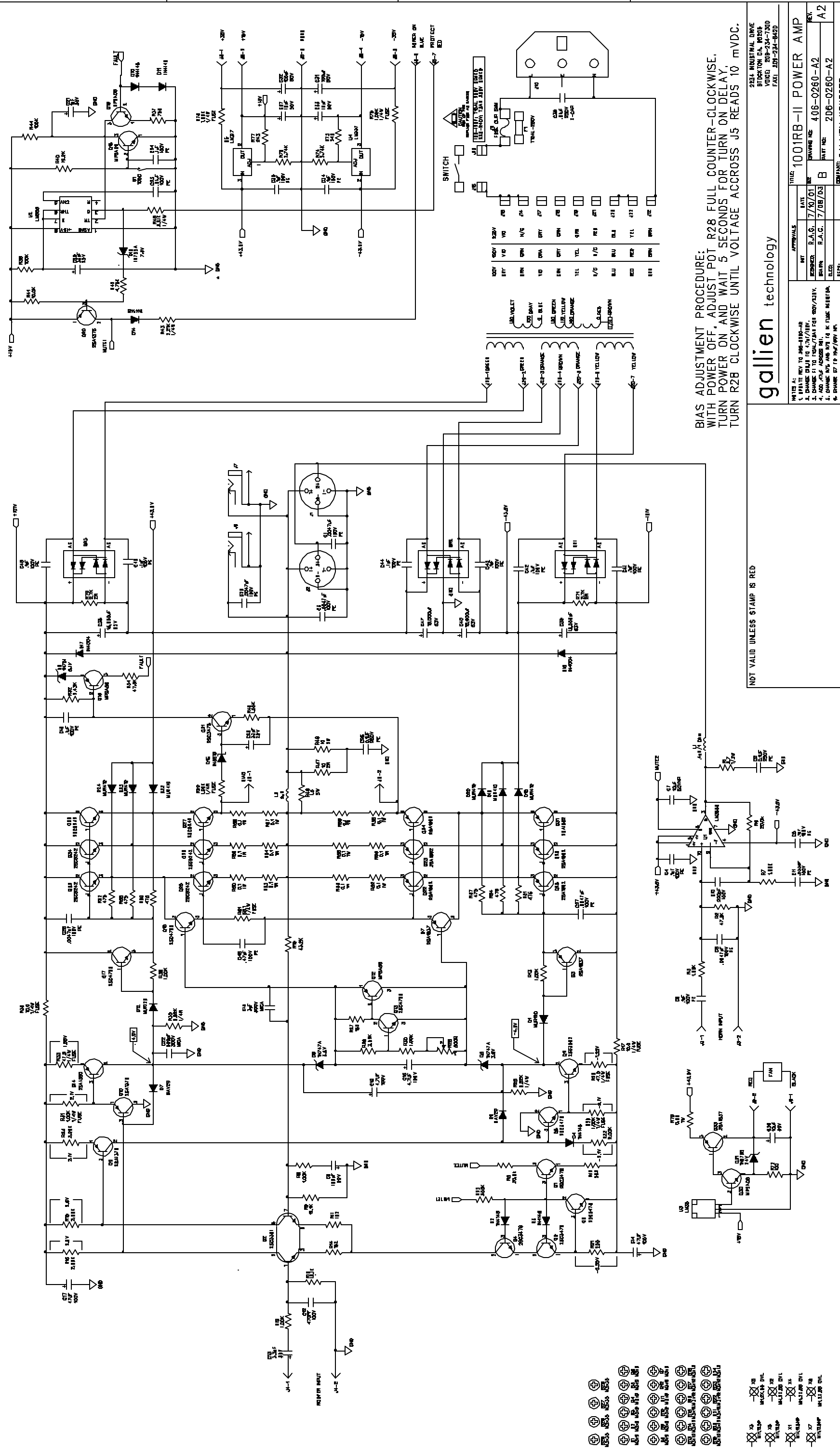


1
2
3
4
5
6

REVISED	REASON	DATE



BIAS ADJUSTMENT PROCEDURE:
WITH POWER OFF, ADJUST POT R28 FULL COUNTER-CLOCKWISE,
TURN POWER ON AND WAIT 5 SECONDS FOR TURN ON DELAY,
TURN R28 CLOCKWISE UNTIL VOLTAGE ACROSS J5 READS 10 mVDC.

gallien technology

2524 INDUSTRIAL DRIVE
BIRMINGHAM, GA 30008
VOICE: 206-234-7300
FAX: 206-234-8420

NOT VALID UNLESS STAMP IS RED

DATE	DATE

TITLE: 1001RB-II POWER AMP

REV: 406-0260-A2

DATE: 7/7/01

DESIGNED BY: R.J.S. 7/7/01

DRAWN BY: R.J.S. 7/7/01

CHECKED BY: B

DATE: 206-0260-A2

DESIGNED BY: GALLIEN KRUEGER

REVISED BY: GALLIEN KRUEGER

- ① 2N4104
- ② 2N2907
- ③ 2N3055
- ④ 1N4001
- ⑤ 1N4148
- ⑥ 1N5711
- ⑦ 1N4007
- ⑧ 1N4004
- ⑨ 1N4002
- ⑩ 1N4001
- ⑪ 1N4001
- ⑫ 1N4001
- ⑬ 1N4001
- ⑭ 1N4001
- ⑮ 1N4001
- ⑯ 1N4001
- ⑰ 1N4001
- ⑱ 1N4001
- ⑲ 1N4001
- ⑳ 1N4001
- ㉑ 1N4001
- ㉒ 1N4001
- ㉓ 1N4001
- ㉔ 1N4001
- ㉕ 1N4001
- ㉖ 1N4001
- ㉗ 1N4001
- ㉘ 1N4001
- ㉙ 1N4001
- ㉚ 1N4001
- ㉛ 1N4001
- ㉜ 1N4001
- ㉝ 1N4001
- ㉞ 1N4001
- ㉟ 1N4001
- ⓫ 2N4104
- ⓬ 2N2907
- ⓭ 2N3055
- ⓮ 1N4001
- ⓯ 1N4148
- ⓰ 1N5711
- ⓱ 1N4007
- ⓲ 1N4004
- ⓳ 1N4002
- ⓴ 1N4001
- ⓵ 1N4001
- ⓶ 1N4001
- ⓷ 1N4001
- ⓸ 1N4001
- ⓹ 1N4001
- ⓺ 1N4001
- ⓻ 1N4001
- ⓼ 1N4001
- ⓽ 1N4001
- ⓾ 1N4001
- ⓿ 1N4001
- Ⓚ 1N4001
- Ⓛ 1N4001
- Ⓜ 1N4001
- Ⓨ 1N4001
- Ⓩ 1N4001
- ⓐ 1N4001
- ⓑ 1N4001
- ⓓ 1N4001
- ⓔ 1N4001
- ⓕ 1N4001
- ⓖ 1N4001
- ⓗ 1N4001
- ⓘ 1N4001
- ⓙ 1N4001
- ⓚ 1N4001
- ⓛ 1N4001
- ⓜ 1N4001
- ⓝ 1N4001
- ⓞ 1N4001
- ⓟ 1N4001
- ⓠ 1N4001
- ⓡ 1N4001
- ⓢ 1N4001
- ⓣ 1N4001
- ⓤ 1N4001
- ⓶ 1N4001
- ⓷ 1N4001
- ⓸ 1N4001
- ⓹ 1N4001
- ⓺ 1N4001
- ⓻ 1N4001
- ⓼ 1N4001
- ⓽ 1N4001
- ⓾ 1N4001
- ⓿ 1N4001
- Ⓚ 1N4001
- Ⓛ 1N4001
- Ⓜ 1N4001
- Ⓨ 1N4001
- Ⓩ 1N4001
- ⓐ 1N4001
- ⓑ 1N4001
- ⓓ 1N4001
- ⓔ 1N4001
- ⓕ 1N4001
- ⓖ 1N4001
- ⓗ 1N4001
- ⓘ 1N4001
- ⓙ 1N4001
- ⓚ 1N4001
- ⓛ 1N4001
- ⓜ 1N4001
- ⓝ 1N4001
- ⓞ 1N4001
- ⓟ 1N4001
- ⓠ 1N4001
- ⓡ 1N4001
- ⓢ 1N4001
- ⓣ 1N4001
- ⓤ 1N4001
- ⓶ 1N4001
- ⓷ 1N4001
- ⓸ 1N4001
- ⓹ 1N4001
- ⓺ 1N4001
- ⓻ 1N4001
- ⓼ 1N4001
- ⓽ 1N4001
- ⓾ 1N4001
- ⓿ 1N4001
- Ⓚ 1N4001
- Ⓛ 1N4001
- Ⓜ 1N4001
- Ⓨ 1N4001
- Ⓩ 1N4001
- ⓐ 1N4001
- ⓑ 1N4001
- ⓓ 1N4001
- ⓔ 1N4001
- ⓕ 1N4001
- ⓖ 1N4001
- ⓗ 1N4001
- ⓘ 1N4001
- ⓙ 1N4001
- ⓚ 1N4001
- ⓛ 1N4001
- ⓜ 1N4001
- ⓝ 1N4001
- ⓞ 1N4001
- ⓟ 1N4001
- ⓠ 1N4001
- ⓡ 1N4001
- ⓢ 1N4001
- ⓣ 1N4001
- ⓤ 1N4001
- ⓶ 1N4001
- ⓷ 1N4001
- ⓸ 1N4001
- ⓹ 1N4001
- ⓺ 1N4001
- ⓻ 1N4001
- ⓼ 1N4001
- ⓽ 1N4001
- ⓾ 1N4001
- ⓿ 1N4001
- Ⓚ 1N4001
- Ⓛ 1N4001
- Ⓜ 1N4001
- Ⓨ 1N4001
- Ⓩ 1N4001
- ⓐ 1N4001
- ⓑ 1N4001
- ⓓ 1N4001
- ⓔ 1N4001
- ⓕ 1N4001
- ⓖ 1N4001
- ⓗ 1N4001
- ⓘ 1N4001
- ⓙ 1N4001
- ⓚ 1N4001
- ⓛ 1N4001
- ⓜ 1N4001
- ⓝ 1N4001
- ⓞ 1N4001
- ⓟ 1N4001
- ⓠ 1N4001
- ⓡ 1N4001
- ⓢ 1N4001
- ⓣ 1N4001
- ⓤ 1N4001
- ⓶ 1N4001
- ⓷ 1N4001
- ⓸ 1N4001
- ⓹ 1N4001
- ⓺ 1N4001
- ⓻ 1N4001
- ⓼ 1N4001
- ⓽ 1N4001
- ⓾ 1N4001
- ⓿ 1N4001
- Ⓚ 1N4001
- Ⓛ 1N4001
- Ⓜ 1N4001
- Ⓨ 1N4001
- Ⓩ 1N4001
- ⓐ 1N4001
- ⓑ 1N4001
- ⓓ 1N4001
- ⓔ 1N4001
- ⓕ 1N4001
- ⓖ 1N4001
- ⓗ 1N4001
- ⓘ 1N4001
- ⓙ 1N4001
- ⓚ 1N4001
- ⓛ 1N4001
- ⓜ 1N4001
- ⓝ 1N4001
- ⓞ 1N4001
- ⓟ 1N4001
- ⓠ 1N4001
- ⓡ 1N4001
- ⓢ 1N4001
- ⓣ 1N4001
- ⓤ 1N4001
- ⓶ 1N4001
- ⓷ 1N4001
- ⓸ 1N4001
- ⓹ 1N4001
- ⓺ 1N4001
- ⓻ 1N4001
- ⓼ 1N4001
- ⓽ 1N4001
- ⓾ 1N4001
- ⓿ 1N4001
- Ⓚ 1N4001
- Ⓛ 1N4001
- Ⓜ 1N4001
- Ⓨ 1N4001
- Ⓩ 1N4001
- ⓐ 1N4001
- ⓑ 1N4001
- ⓓ 1N4001
- ⓔ 1N4001
- ⓕ 1N4001
- ⓖ 1N4001
- ⓗ 1N4001
- ⓘ 1N4001
- ⓙ 1N4001
- ⓚ 1N4001
- ⓛ 1N4001
- ⓜ 1N4001
- ⓝ 1N4001
- ⓞ 1N4001
- ⓟ 1N4001
- ⓠ 1N4001
- ⓡ 1N4001
- ⓢ 1N4001
- ⓣ 1N4001
- ⓤ 1N4001
- ⓶ 1N4001
- ⓷ 1N4001
- ⓸ 1N4001
- ⓹ 1N4001
- ⓺ 1N4001
- ⓻ 1N4001
- ⓼ 1N4001
- ⓽ 1N4001
- ⓾ 1N4001
- ⓿ 1N4001
- Ⓚ 1N4001
- Ⓛ 1N4001
- Ⓜ 1N4001
- Ⓨ 1N4001
- Ⓩ 1N4001
- ⓐ 1N4001
- ⓑ 1N4001
- ⓓ 1N4001
- ⓔ 1N4001
- ⓕ 1N4001
- ⓖ 1N4001
- ⓗ 1N4001
- ⓘ 1N4001
- ⓙ 1N4001
- ⓚ 1N4001
- ⓛ 1N4001
- ⓜ 1N4001
- ⓝ 1N4001
- ⓞ 1N4001
- ⓟ 1N4001
- ⓠ 1N4001
- ⓡ 1N4001
- ⓢ 1N4001
- ⓣ 1N4001
- ⓤ 1N4001
- ⓶ 1N4001
- ⓷ 1N4001
- ⓸ 1N4001
- ⓹ 1N4001
- ⓺ 1N4001
- ⓻ 1N4001
- ⓼ 1N4001
- ⓽ 1N4001
- ⓾ 1N4001
- ⓿ 1N4001
- Ⓚ 1N4001
- Ⓛ 1N4001
- Ⓜ 1N4001
- Ⓨ 1N4001
- Ⓩ 1N4001
- ⓐ 1N4001
- ⓑ 1N4001
- ⓓ 1N4001
- ⓔ 1N4001
- ⓕ 1N4001
- ⓖ 1N4001
- ⓗ 1N4001
- ⓘ 1N4001
- ⓙ 1N4001
- ⓚ 1N4001
- ⓛ 1N4001
- ⓜ 1N4001
- ⓝ 1N4001
- ⓞ 1N4001
- ⓟ 1N4001
- ⓠ 1N4001
- ⓡ 1N4001
- ⓢ 1N4001
- ⓣ 1N4001
- ⓤ 1N4001
- ⓶ 1N4001
- ⓷ 1N4001
- ⓸ 1N4001
- ⓹ 1N4001
- ⓺ 1N4001
- ⓻ 1N4001
- ⓼ 1N4001
- ⓽ 1N4001
- ⓾ 1N4001
- ⓿ 1N4001