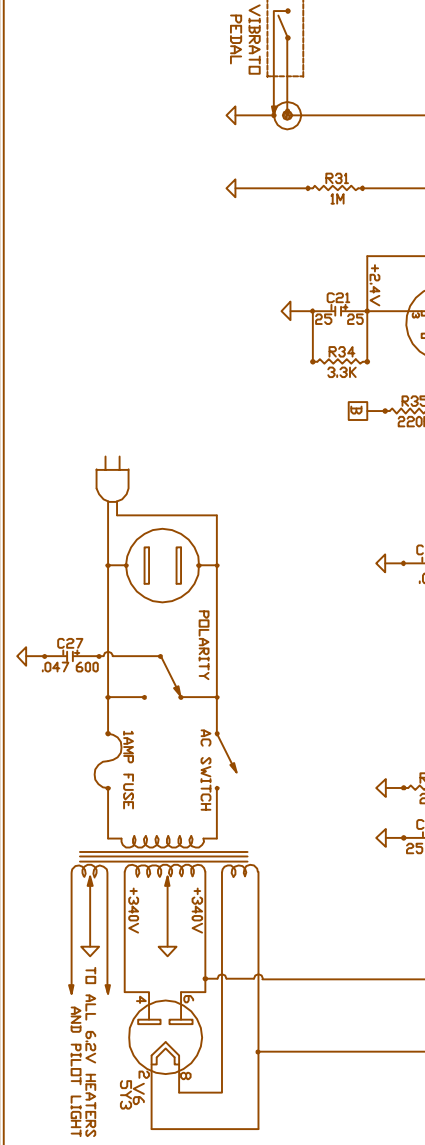
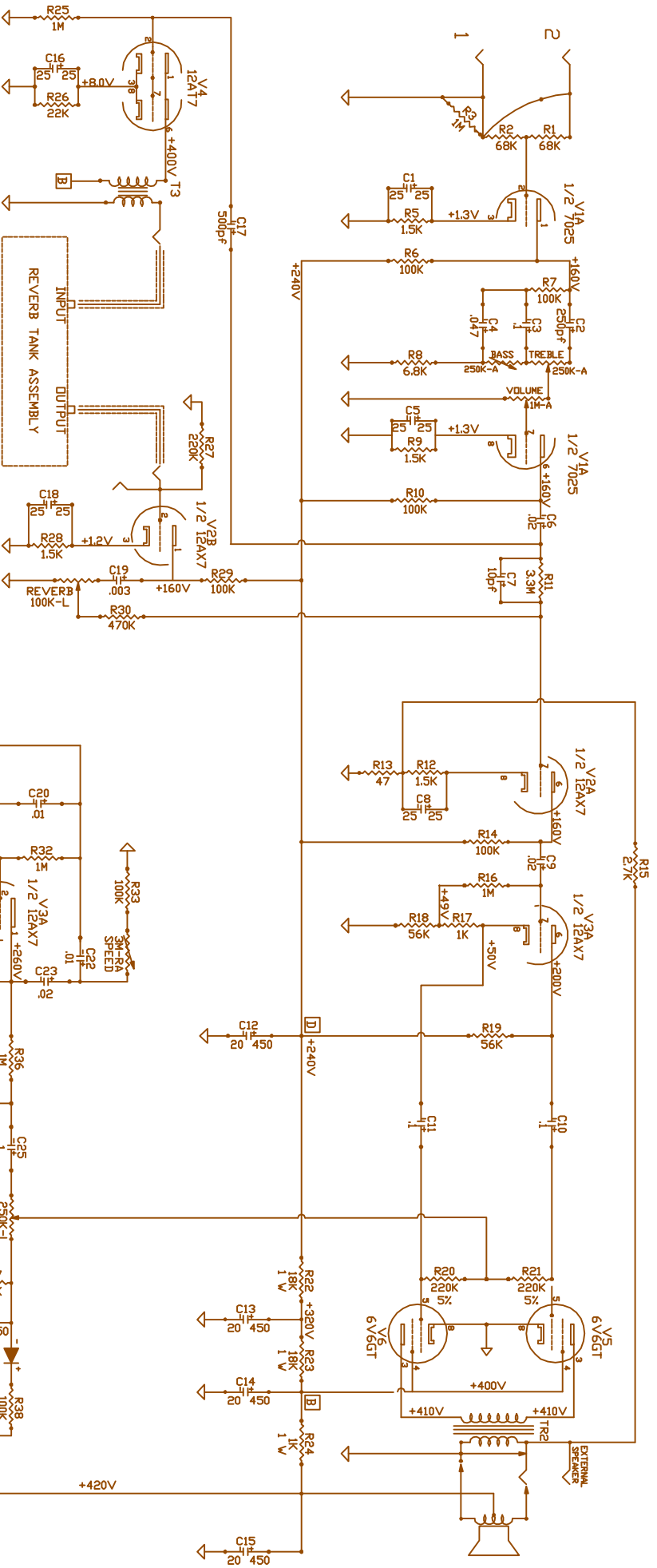


FENDER PRINCETON REVERB CHASSIS AA1164 SCHEMATIC

DRAWN BY: TREY CALDWELL
DATE: 02/01/08

NOTES:



FENDER PRINCETON REVERB CHASSIS AA1164 SCHEMATIC

DRAWN BY: TREY CALDWELL
DATE: 02/01/08

NOTES: