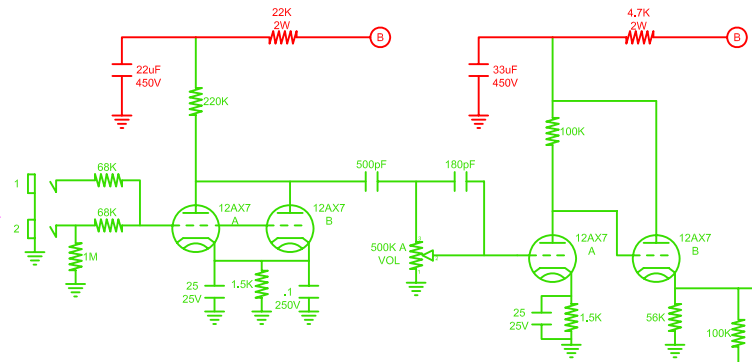
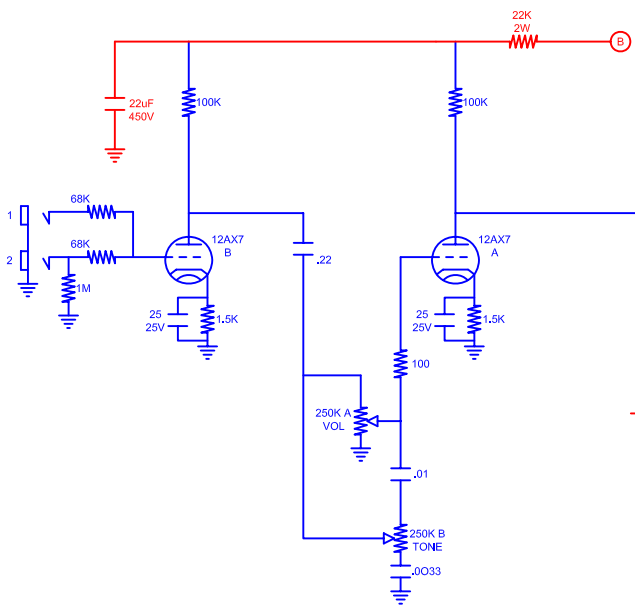


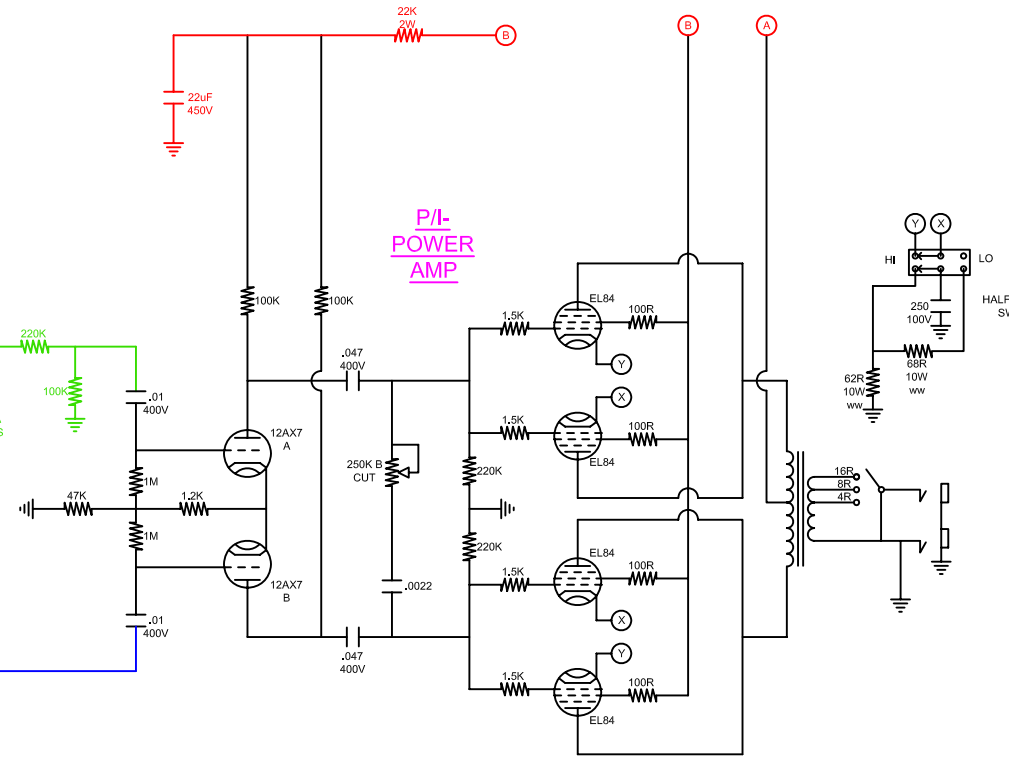
CHANNEL-1



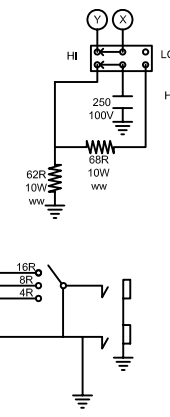
CHANNEL-2



P/I-  
POWER  
AMP



HALF-POWER  
SWITCH



POWER  
SUPPLY

