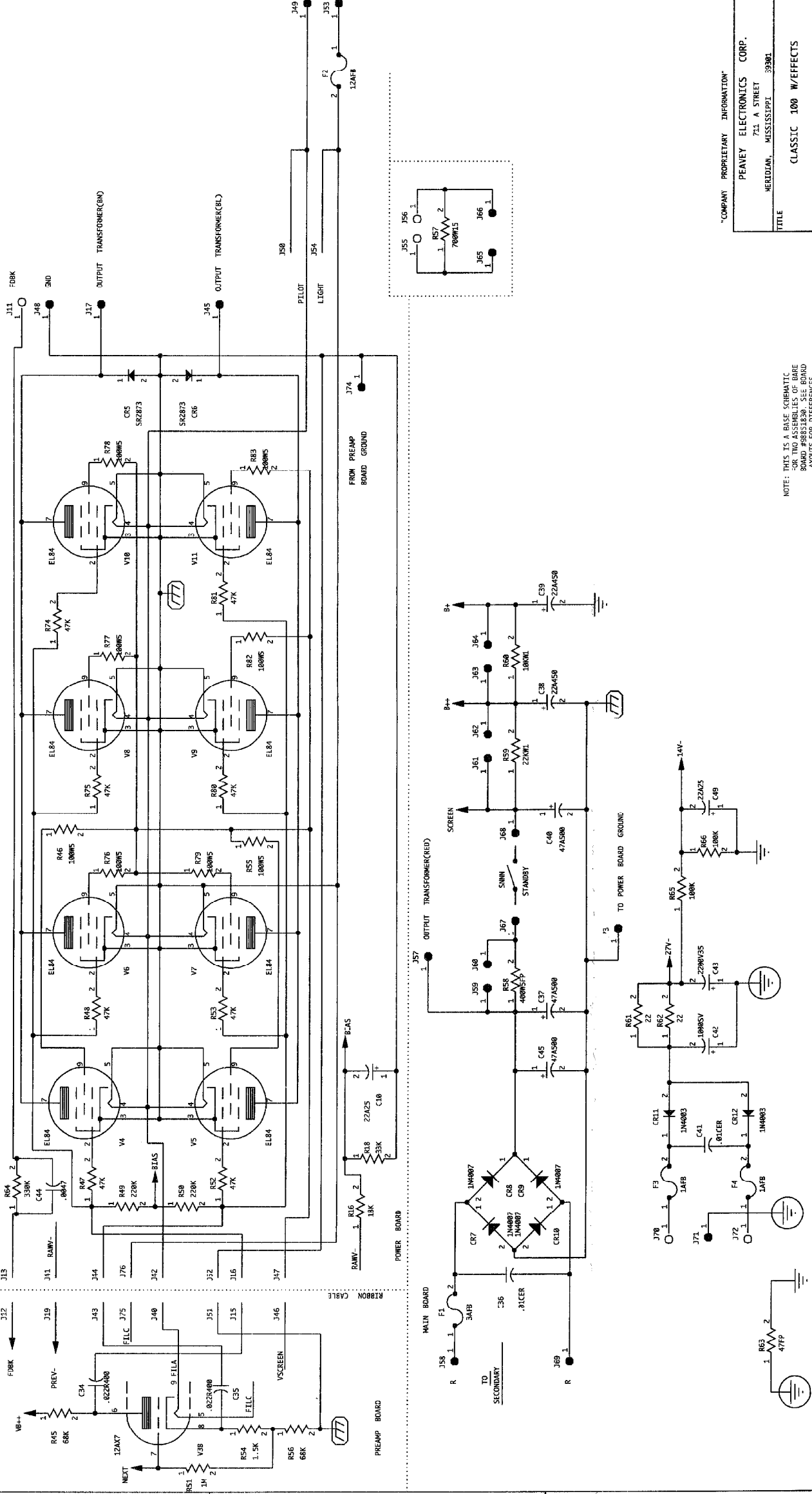


NOTE: USE SHIELDED CABLE.

NOTE: THIS IS A BASE SCHEMATIC FOR TWO ASSEMBLIES OF THIS BOARD #99051833-34. SEE BOARD LAYOUTS FOR DIFFERENCES.

TITLE		CLASSIC 100 W/EFFECTS	
COMPANY		PEAVEY ELECTRONICS CORP.	
ADDRESS		711 A STREET MERIDIAN, MISSISSIPPI 39301	
DATE	26-JUN-95	PRINT	#81501597
SIZE	B	NUMBER	99051833-34
CODE		REV	
SHEET		1 OF 2	

LAST REF NUM: J98 QZ V7 U1 R83 C55 CR12 W69



NOTE: THIS IS A BASE SCHEMATIC FOR THE PURPOSES OF PARTS LISTING. IT DOES NOT TAKE INTO ACCOUNT BOARD MODIFICATIONS FOR DIFFERENCES.

COMPANY PROPRIETARY INFORMATION

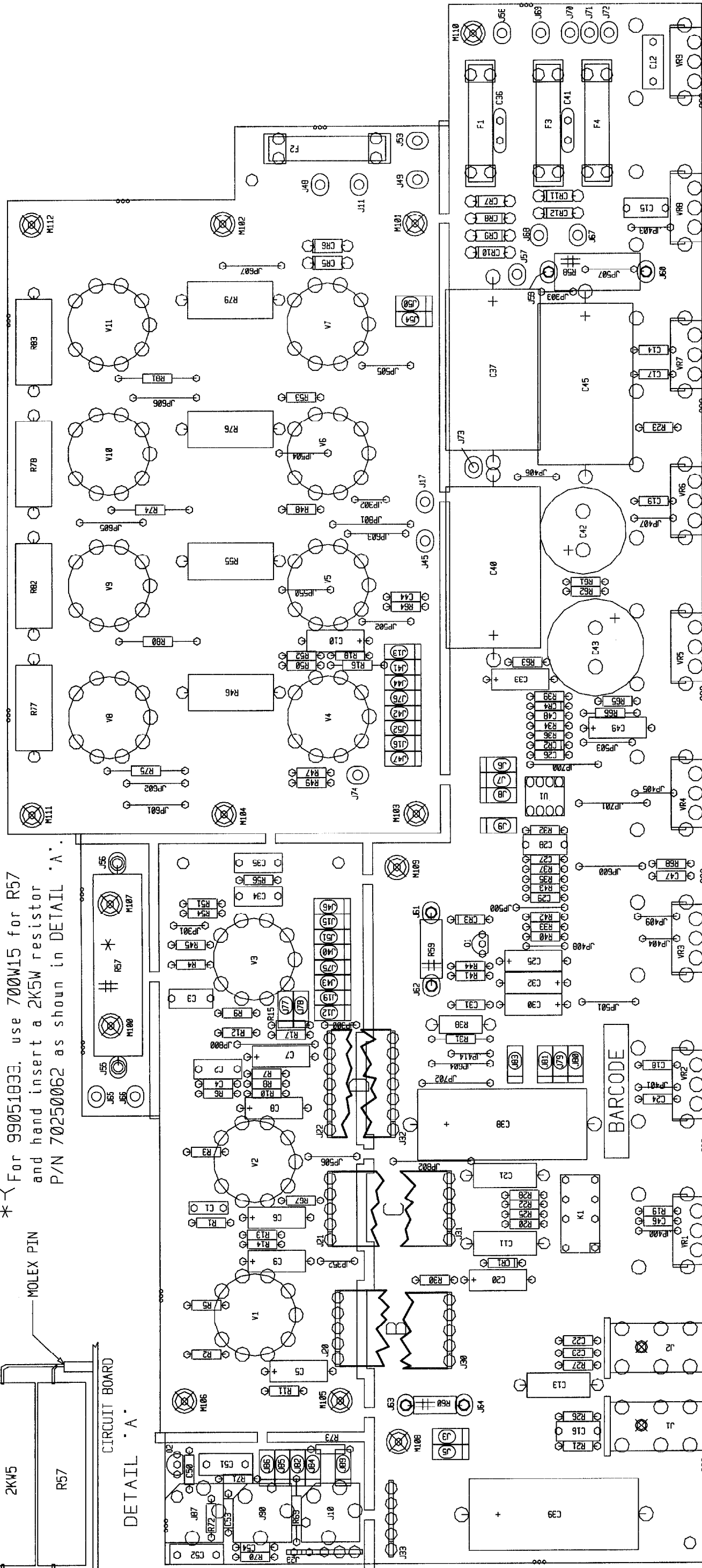
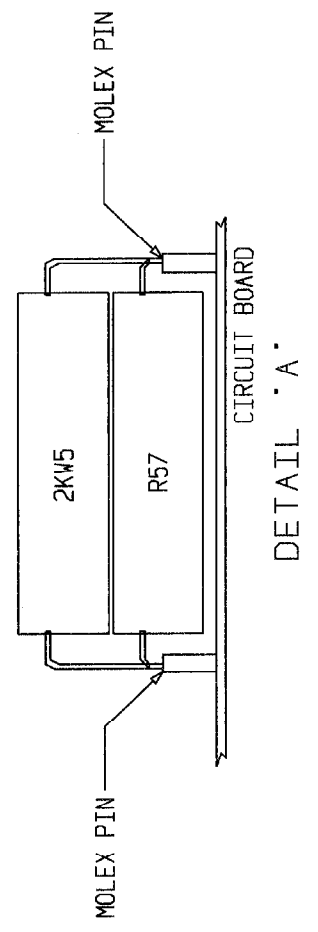
PEAVEY ELECTRONICS CORP.  
711 A STREET  
MERIDIAN, MISSISSIPPI 39301

TITLE CLASSIC 100 W/EFFECTS

SIZE	CODE	NUMBER	REV
C		99051833-34	

DATE 26-JUN-95 #81592597 SHEET 2 OF 2

\* For 99051834, use 1.5KW15 for R57  
 For 99051833, use 700W15 for R57  
 and hand insert a 2K5W resistor  
 P/N 70250062 as shown in DETAIL 'A'.



NOTES

Ribbon Cables B & C will be 70600029 on single unit version.  
 Ribbon Cable D will be 70600030 on single unit version.

ASS'Y NAME	ASS'Y P/N
Classic 100 Domestic	99051833
Classic 100 Export	99051834

CLASSIC 100

