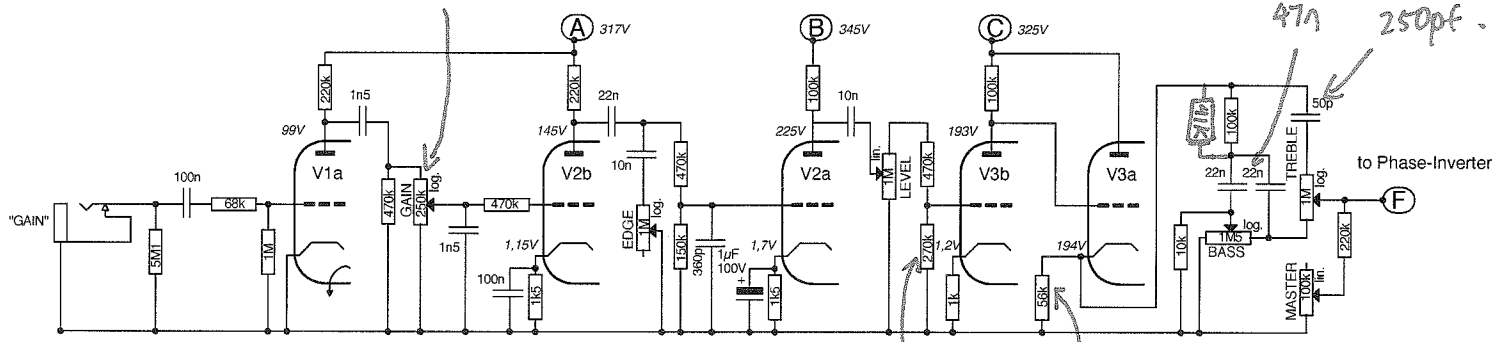
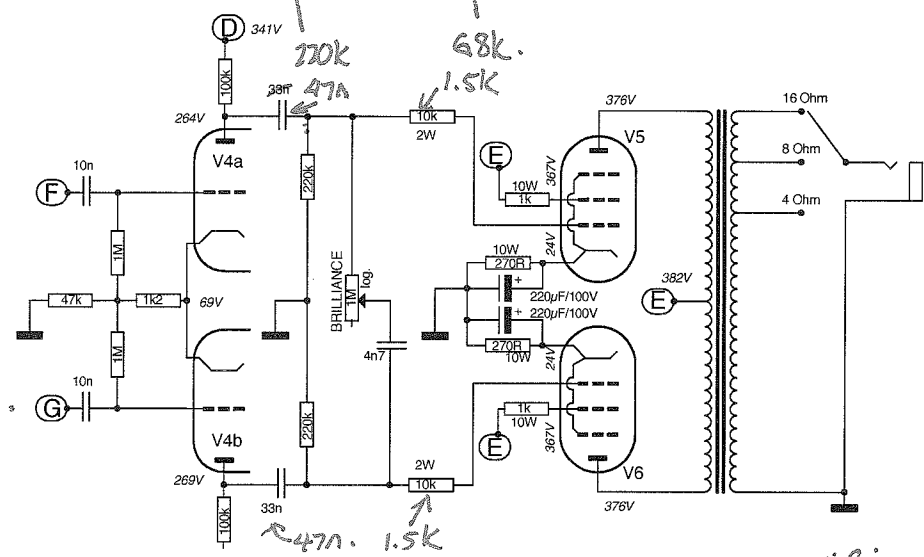
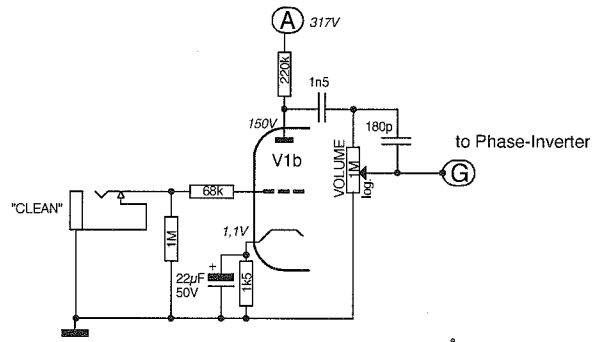


1M POT - NB: Gain + level controls are on dual gang pot connected by ground.



47n 250pf.



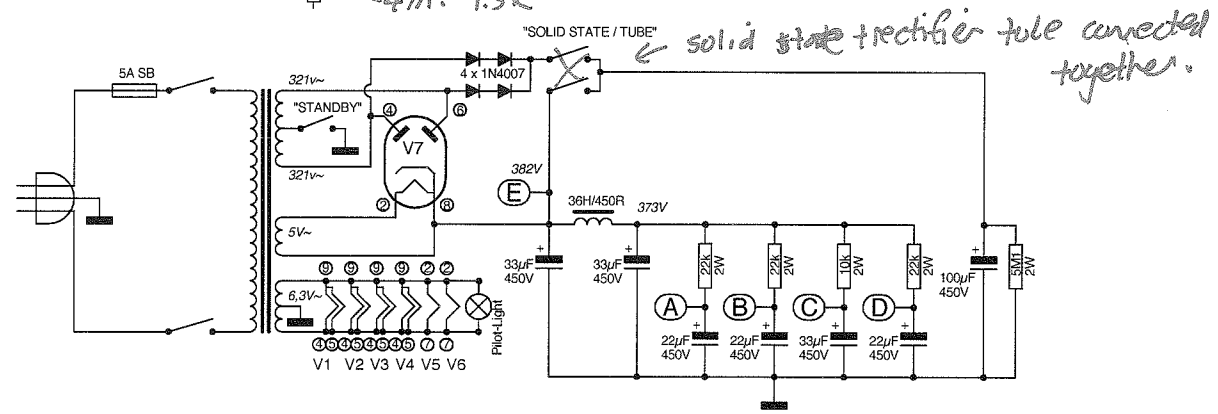
NB: Ignore power section since gainstar 15 is EL84 + Hotcat is EL34.
GAINSTAR VALUES IN RED.

Bad Cat Hot Cat 30

- V1-4 = 12AX7
- V5,6 = EL34
- V7 = GZ34/5AR4

Transformers:
Mains = TDS 1161
Output = TDS 1163
Choke = TDS 1162

DC voltage readings measured with tube rectifier!



"SOLID STATE / TUBE" ← solid state rectifier tube connected together.