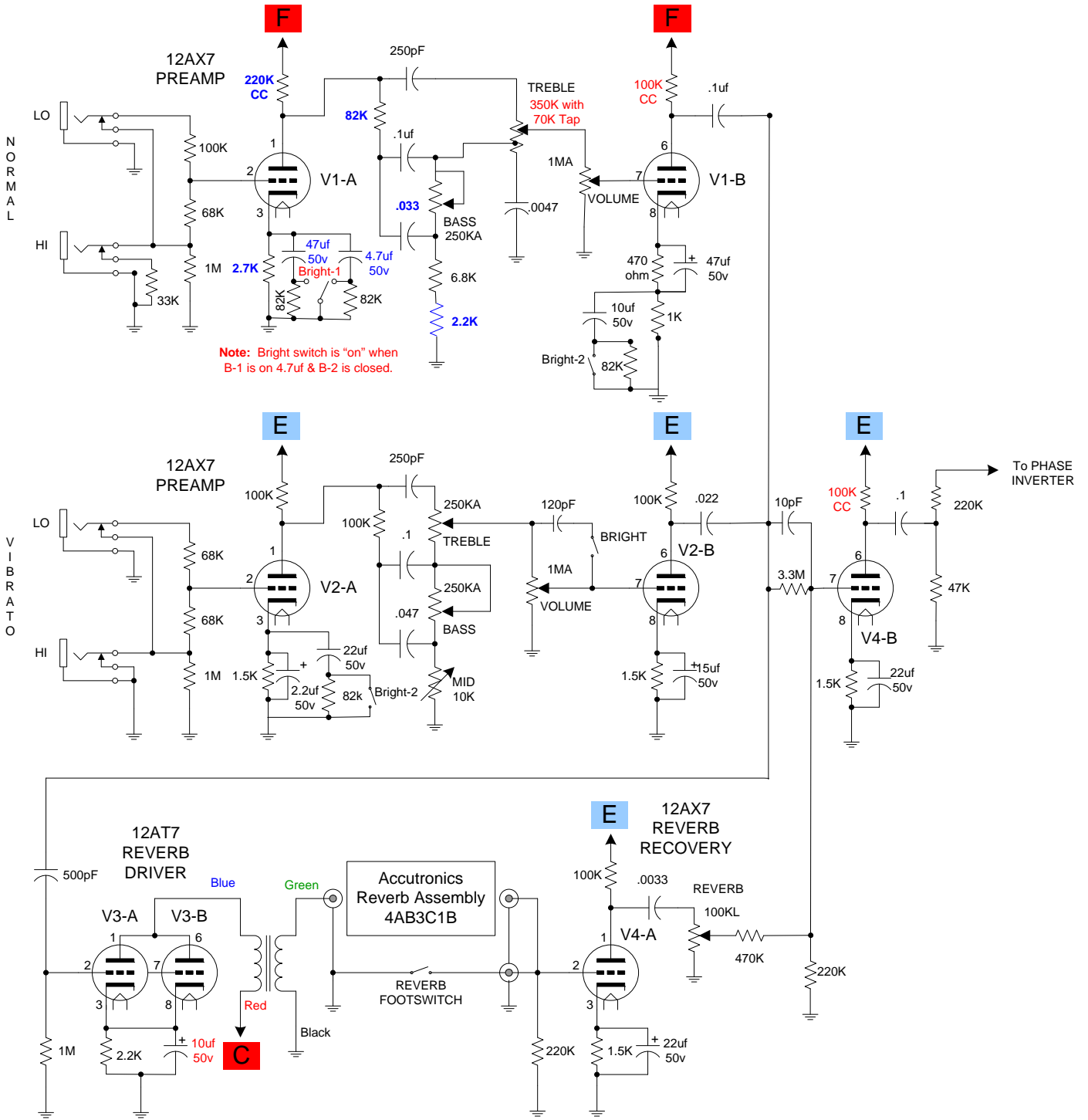


**Work in Progress**  
**MODIFIED AB763 CIRCUIT**  
**with 6G16 VIBROVERB TREMOLO**  
**& Tone Stack on Normal Channel**

PREAMPS and REVERB



RED indicates sample component values, subject to change