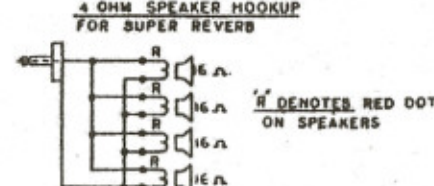
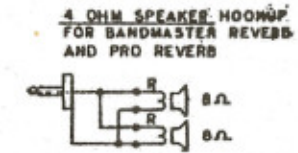
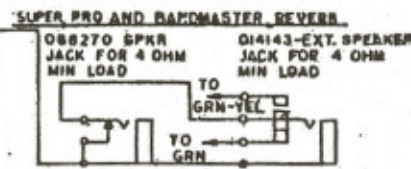
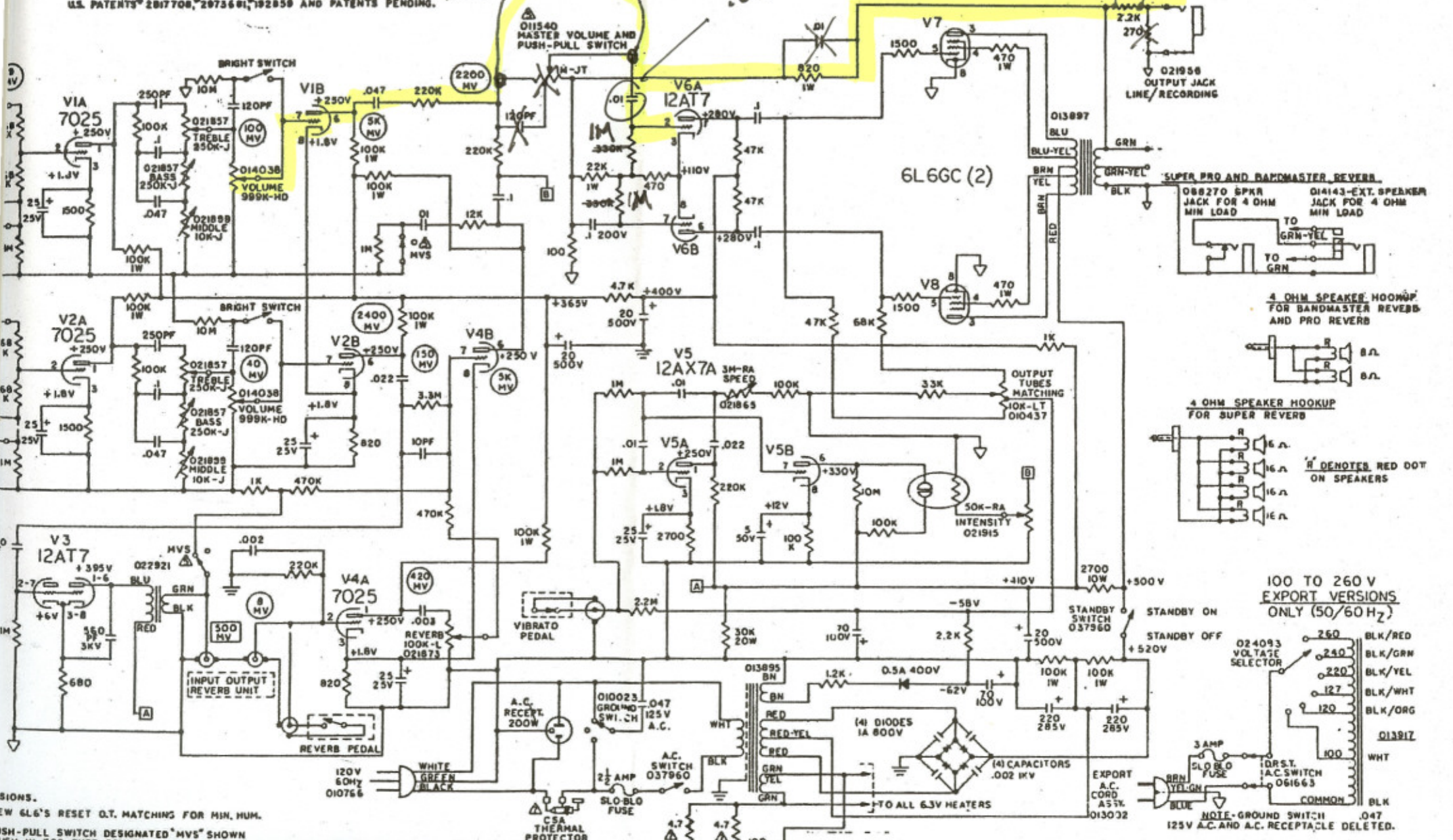


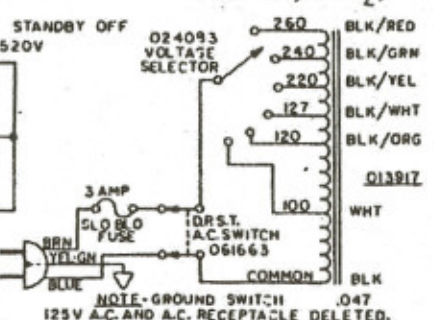
THIS PRODUCT MANUFACTURED UNDER ONE OR MORE OF THE FOLLOWING
U.S. PATENTS* 2817708, 2973681, 192859 AND PATENTS PENDING.

Add
Change to .001

Add



100 TO 260 V EXPORT VERSIONS ONLY (50/60 HZ)



CAUTION.
500 VOLTS AVAILABLE - DISCONNECT POWER SUPPLY

Fender/Rosen/Rhodes
SAN MARCO INSTRUMENTS - A DIVISION OF F.M.I. INC.
PALM SPRING, CALIFORNIA, U.S.A.