

**CAUTION:**  
 THIS SCHEMATIC IS PROVIDED FOR USE BY QUALIFIED PERSONNEL TO AVOID RISK OF ELECTRIC SHOCK. REFER SERVICING TO QUALIFIED SERVICE PERSONNEL. DO NOT PERFORM ANY SERVICING BEYOND THAT EXPLAINED IN THE OPERATING INSTRUCTIONS.

**NOTES:**  
 1) CAUTION: SHOCK HAZARD!! THIS UNIT CONTAINS HAZARDOUS VOLTAGE. DISCONNECT POWER AND BE SURE POWER SUPPLY IS DISCHARGED BEFORE TOUCHING INTERNAL PARTS.  
 2) UNLESS NOTED, RESISTOR VALUES IN OHMS, 1/4W-5% TOL. CAPACITOR VALUES IN MICROFARADS, 50V-10% TOL.  
 3) VOLTAGES ARE MEASURED WITH 1 MEGOHM OSCILLOSCOPE AND 10 MEGOHM DIGITAL VOLTMETER.

P/N 07-774-01


0	5/8/00	CONTROL ISSUE			
J	3/3/00	CHANGED L1 TO R101, 10 OHM 1/2 WATT RESISTOR.	R00362		
H	2/28/00	INITIAL ISSUE			
REV	Date	DESCRIPTION	Ecr(s)/Ecn(s)	Chgd By	Appvd by
THE INFORMATION CONTAINED ON THIS DRAWING IS PROPRIETARY TO ST. LOUIS MUSIC, INC					
Signatures:		Date:			
Drawn: REM		9/6/99		11880 Borman Drive, St. Louis, MO 63146	
Checked: -		-		First Used On: TX50a	
Released: -		-		Drawing Title: PWA - GUITAR AMP	
Tolerance:		Drawing Size: C		Drawing Number: 07S774-XX	
		Drawing Type: Schematic			
		Class Code: NONE			
		Sheet 1 of 3			

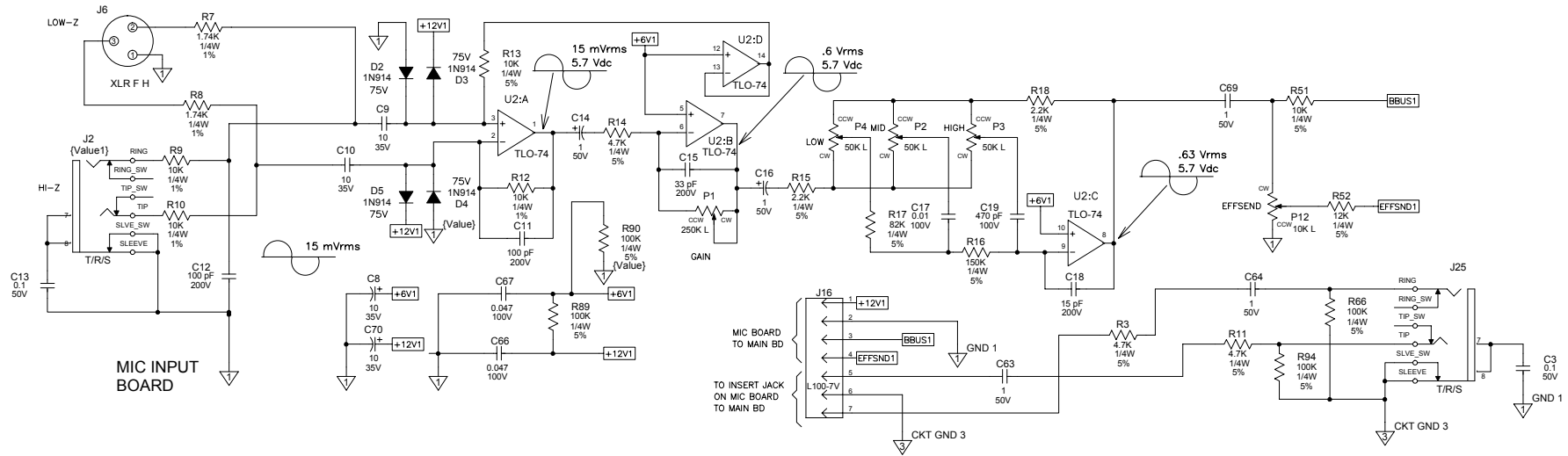
Power Table				
RefDes	CKT_GND	GND_1	+12V1	+12V
U1	4			8
U2		11	4	
U3	4			8
U4	4			8
U5	4			8
U6	6,12			9,10
U7	4			8

MAIN PC BOARD

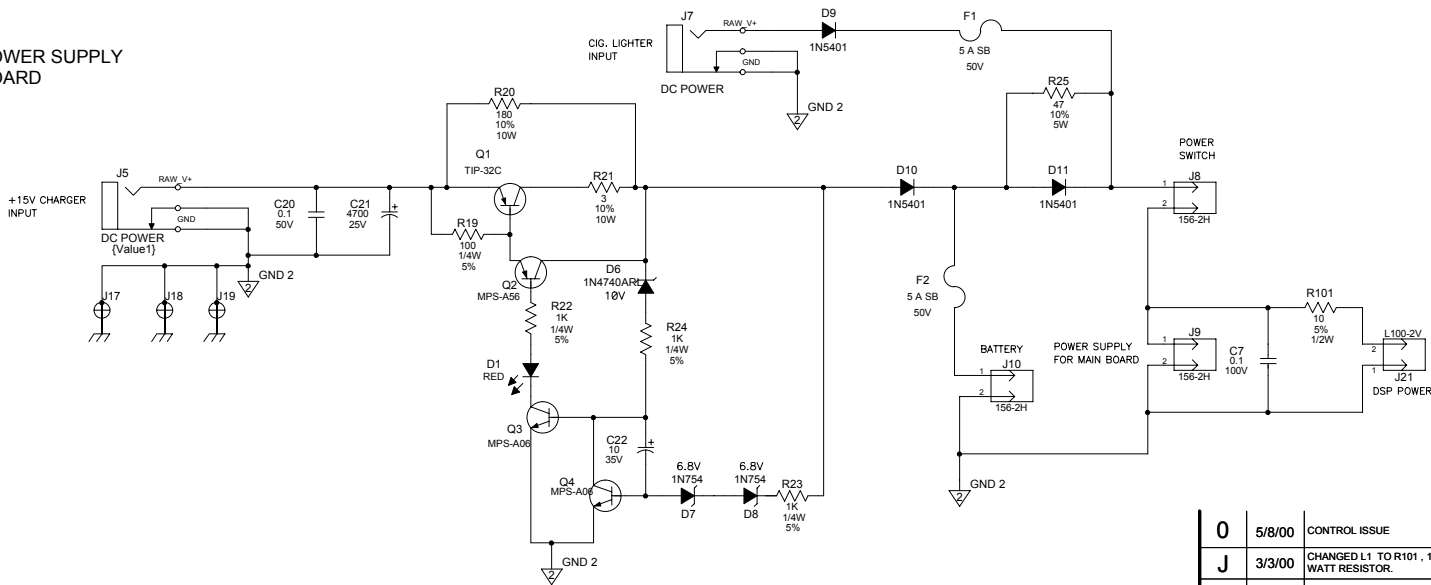
CAUTION:  
THIS SCHEMATIC IS PROVIDED FOR USE BY QUALIFIED PERSONNEL.  
TO AVOID RISK OF ELECTRIC SHOCK, REFER SERVICING TO QUALIFIED  
SERVICE PERSONNEL. DO NOT PERFORM ANY SERVICING BEYOND  
THAT EXPLAINED IN THE OPERATING INSTRUCTIONS.

- NOTES:
- 1) CAUTION: SHOCK HAZARD!!  
THIS UNIT CONTAINS HAZARDOUS VOLTAGE. DISCONNECT POWER  
AND BE SURE POWER SUPPLY IS DISCHARGED BEFORE  
TOUCHING INTERNAL PARTS.
  - 2) UNLESS NOTED, RESISTOR VALUES IN OHMS, 1/4W-5% TOL.  
CAPACITOR VALUES IN MICROFARADS, 50V-10% TOL.
  - 3) VOLTAGES ARE MEASURED WITH 1 MEGOHM OSCILLOSCOPE  
AND 10 MEGOHM DIGITAL VOLTMETER.

0	5/8/00	CONTROL ISSUE				
J	3/3/00	CHANGED L1 TO R101, 10 OHM 1/2 WATT RESISTOR.			R00362	
H	2/28/00	INITIAL ISSUE				
REV	Date	DESCRIPTION	Ecr(s)/Ecrn(s)	Chgd By	Appvd by	Date
THE INFORMATION CONTAINED ON THIS DRAWING IS PROPRIETARY TO ST. LOUIS MUSIC, INC						
Signatures:		Date:		 11880 Borman Drive, St. Louis, MO 63146 <b>TX50a</b>		
Drawn: REM		9/6/99				
Checked: -		-				
Released: -		-				
Tolerance:		Drawing Size: C		Drawing Title: PWA - GUITAR AMP		
		Drawing Type: Schematic		Drawing Number: 07S774-XX		
		Class Code: NONE				
		Sheet 2 of 3				



**POWER SUPPLY BOARD**



**CAUTION:**  
THIS SCHEMATIC IS PROVIDED FOR USE BY QUALIFIED PERSONNEL. TO AVOID RISK OF ELECTRIC SHOCK, REFER SERVICING TO QUALIFIED SERVICE PERSONNEL. DO NOT PERFORM ANY SERVICING BEYOND THAT EXPLAINED IN THE OPERATING INSTRUCTIONS.

- NOTES:**
- 1) CAUTION: SHOCK HAZARD!! THIS UNIT CONTAINS HAZARDOUS VOLTAGE. DISCONNECT POWER AND BE SURE POWER SUPPLY IS DISCHARGED BEFORE TOUCHING INTERNAL PARTS.
  - 2) UNLESS NOTED, RESISTOR VALUES IN OHMS, 1/4W-5% TOL. CAPACITOR VALUES IN MICROFARADS, 50V-10% TOL.
  - 3) VOLTAGES ARE MEASURED WITH 1 MEGOHM OSCILLOSCOPE AND 10 MEGOHM DIGITAL VOLTMETER.

0	5/8/00	CONTROL ISSUE			
J	3/3/00	CHANGED L1 TO R101, 10 OHM 1/2 WATT RESISTOR.	R00362	REM	
H	2/28/00	INITIAL ISSUE			
REV	Date	DESCRIPTION	Ecr(s)/Ecn(s)	Chgd By	Appvd by
THE INFORMATION CONTAINED ON THIS DRAWING IS PROPRIETARY TO ST. LOUIS MUSIC, INC.					
Signatures:		Date:			
Drawn: REM		9/6/99		11880 Borman Drive, St. Louis, MO 63146	
Checked: -		-		First Used On:	
Released:				<b>TX50a</b>	
Tolerance:		Drawing Size: C		Drawing Title: <b>PWA - GUITAR AMP</b>	
		Drawing Type: Schematic		Drawing Number:	
		Class Code: NONE		<b>07S774-XX</b>	
		Sheet 3 of 3			