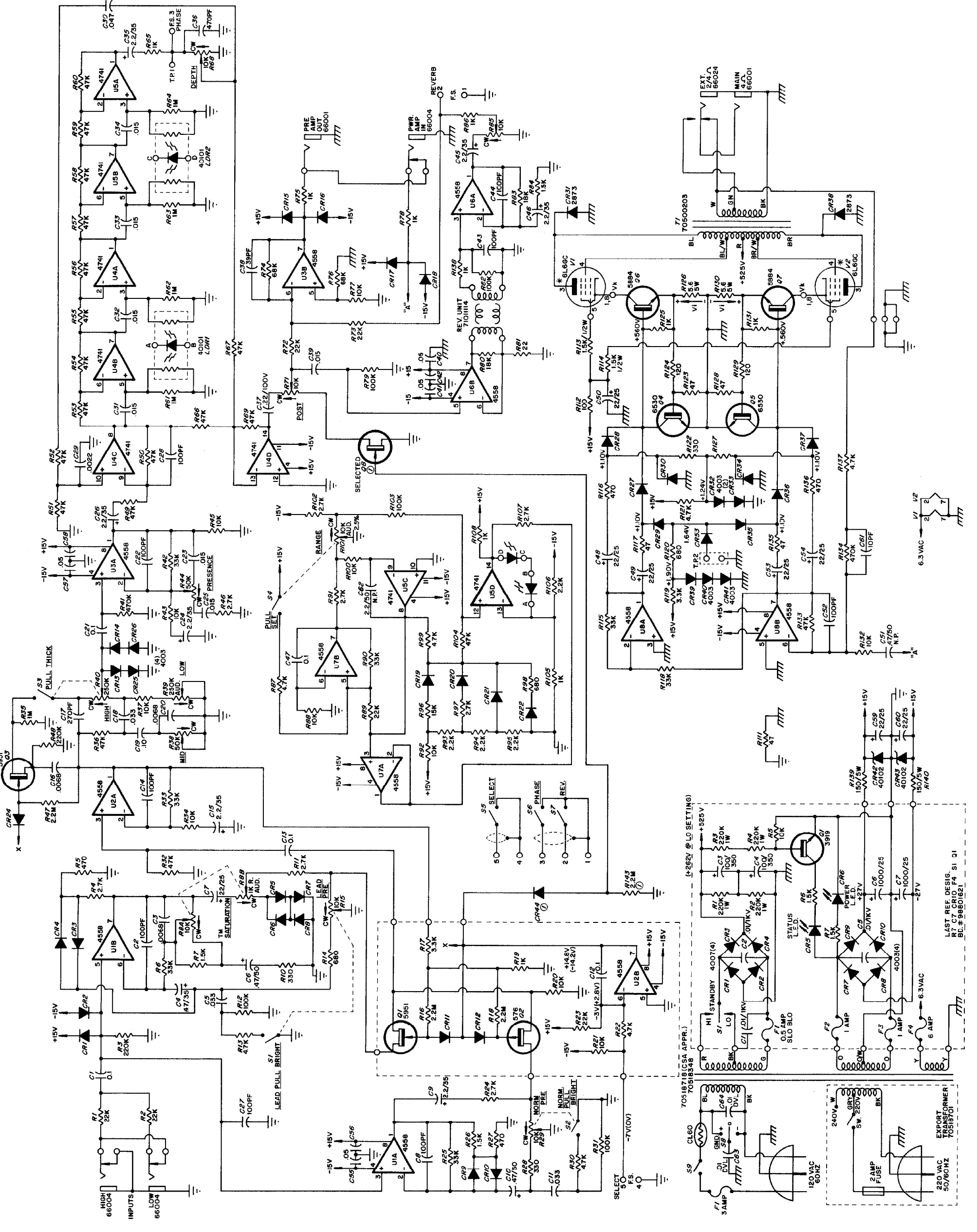
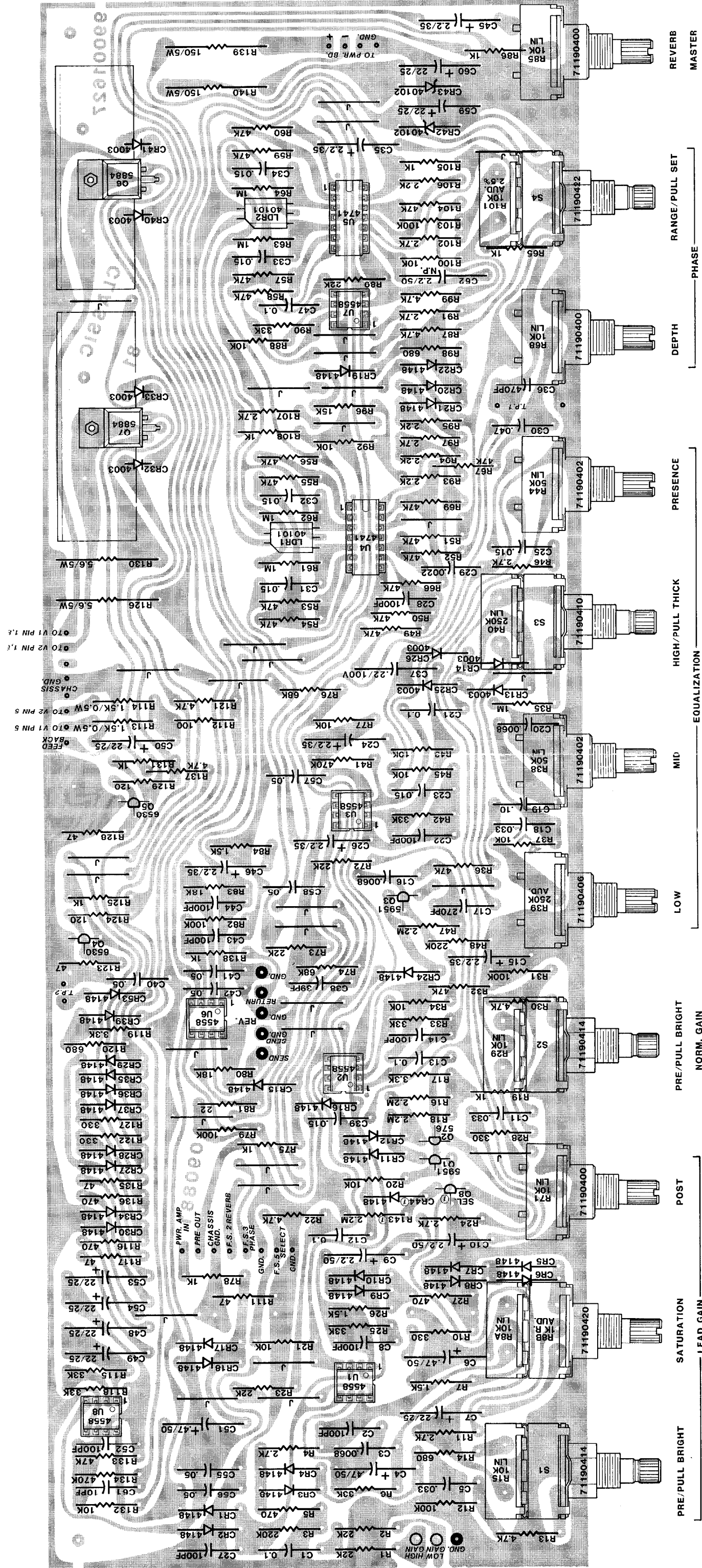


**CLASSIC® 81**  
 VTX SERIES  
 RD. # 99001623  
 BD. # 99001623  
 BD. # 99001627 \*

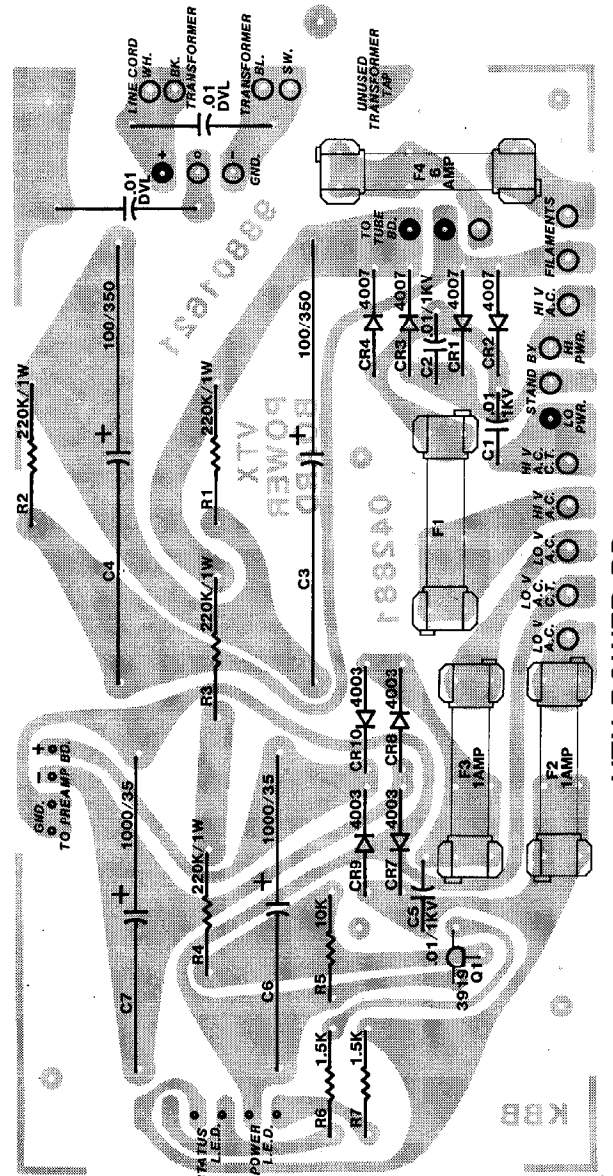
**NOTES**  
 ALL POTS ARE LINEAR UNLESS NOTED  
 ALL RESISTORS 1/4W UNLESS NOTED  
 ALL RESISTORS IN OHMS UNLESS NOTED  
 ALL CAPACITORS IN MFD UNLESS NOTED  
 ALL DIODES IN4148 UNLESS NOTED  
 LAST REF. DESIGNATOR USED:  
 R143 CR2 CR44 S9 UB Q8 F1 V2  
 VOLTAGES MAY VARY FROM UNIT TO UNIT  
 VOLTAGES IN ( ) ARE WITH FOOTSWITCH CLOSED  
 BUILT UNDER U.S. PATENT NOS. 4,408,938 AND 4,439,742  
 \* PINS 1 AND 8 ARE CONNECTED ON ALL TUBES  
 V1 (IDLE) = 40V MAX.  
 10V MAX. DIFFERENCE BETWEEN SIDES  
 V1 (MID) = 75V MIN.  
 10V MIN. DIFFERENCE BETWEEN SIDES  
 \*\* COMPONENTS DESIGNATED BY ( ) INDICATE CHANGE  
 ON BD. # 99001627.  
 TO MEASURE OUTPUT POWER RATING AT 5% T.H.D., T.R.2 MUST  
 BE GROUNDED TO DEFEAT COMPRESSION EFFECT OF  
 POWER AMPLIFIER.





**CLASSIC '81**  
VTX SERIES

- PRE/PULL BRIGHT
- SATURATION
- POST
- PRE/PULL BRIGHT
- LOW
- MID
- HIGH/PULL THICK
- PRESENCE
- DEPTH
- PHASE
- RANGE/PULL SET
- REVERB
- MASTER



**VTX POWER BD.**

K 8 B