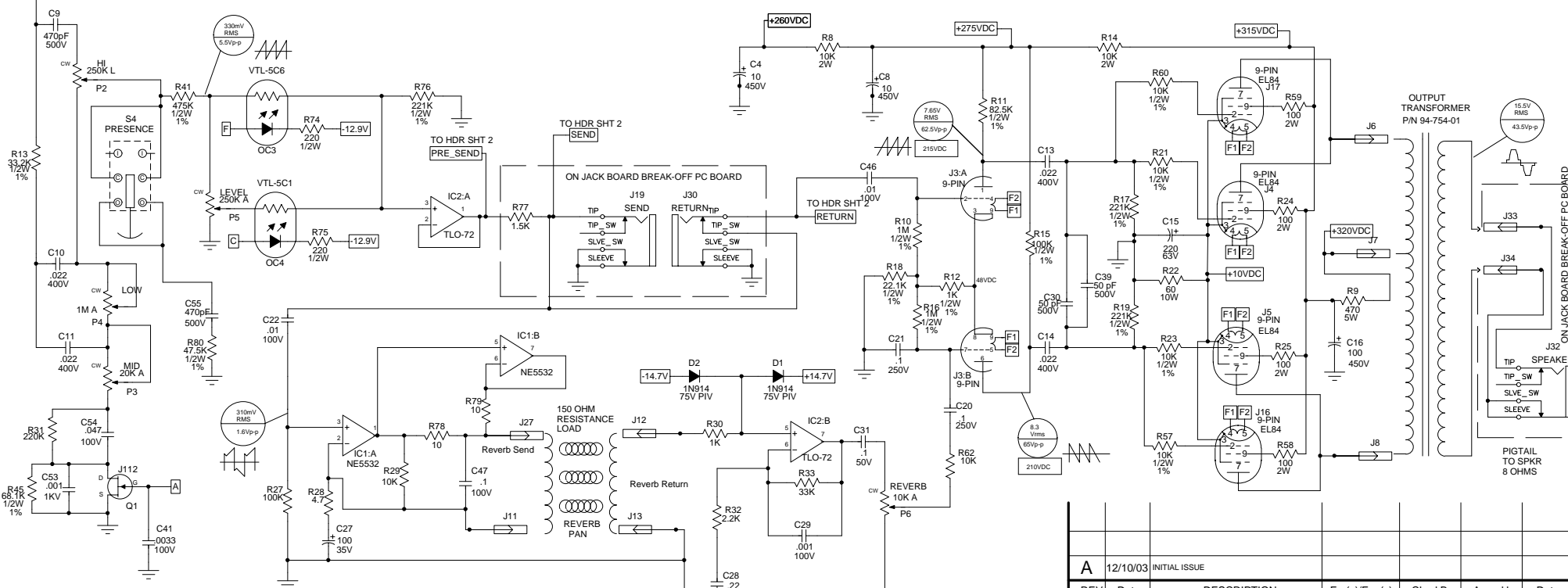
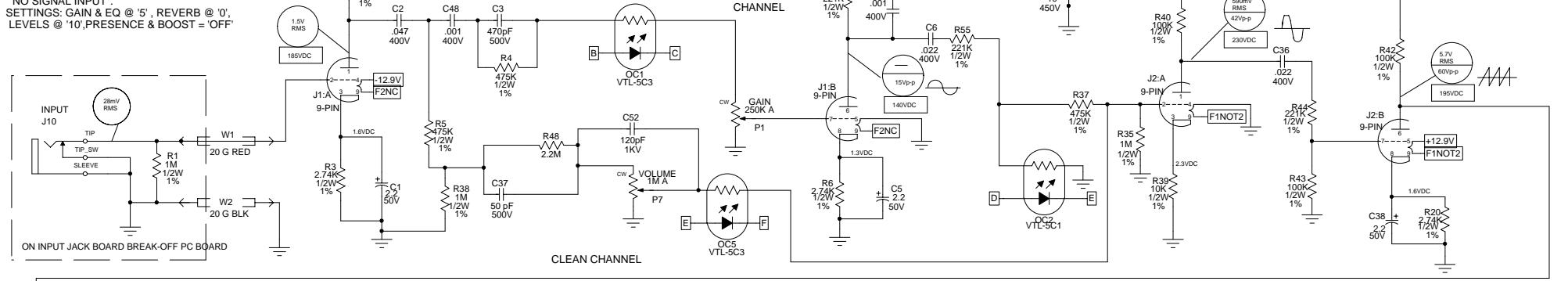


NOTE: TEST POINT CONDITIONS

LINE: 120 Vrms SPEAKER LOAD: 8 OHM RESISTANCE
 REVERB SEND LOAD: 150 OHM RESISTANCE
 INPUT: 28mVrms @ 500HZ
 VOLTAGES: ALL DC VOLTAGES MEASURED WITH
 "NO SIGNAL INPUT"
 SETTINGS: GAIN & EQ @ '5', REVERB @ '0',
 LEVELS @ '10', PRESENCE & BOOST = 'OFF'



CAUTION:
 THIS SCHEMATIC IS PROVIDED FOR USE BY QUALIFIED PERSONNEL.
 TO AVOID RISK OF ELECTRIC SHOCK, REFER SERVICING TO QUALIFIED
 SERVICE PERSONNEL. DO NOT PERFORM ANY SERVICING BEYOND
 THAT EXPLAINED IN THE OPERATING INSTRUCTIONS.

NOTES:
 1) CAUTION: SHOCK HAZARD!!
 THIS UNIT CONTAINS HAZARDOUS VOLTAGE. DISCONNECT POWER
 AND BE SURE POWER SUPPLY IS DISCHARGED BEFORE
 TOUCHING INTERNAL PARTS.
 2) UNLESS NOTED, RESISTOR VALUES IN OHMS, 1/4W-5% TOL.
 CAPACITOR VALUES IN MICROFARADS, 50V-10% TOL.
 3) VOLTAGES ARE MEASURED WITH 1 MEGOHM OSCILLOSCOPE
 AND 10 MEGOHM DIGITAL VOLTMETER.

○ NOTE: NOT SPLIT TEST POINT BUBBLE = CLEAN & DIRTY
 ○ NOTE: SPLIT TEST POINT BUBBLE
 CLEAN=TOP RMS VOLTS (NO WAVE FORM)
 DIRTY=BOTTOM p-p VOLTS (SEE WAVEFORM)
 □ DC VOLTS

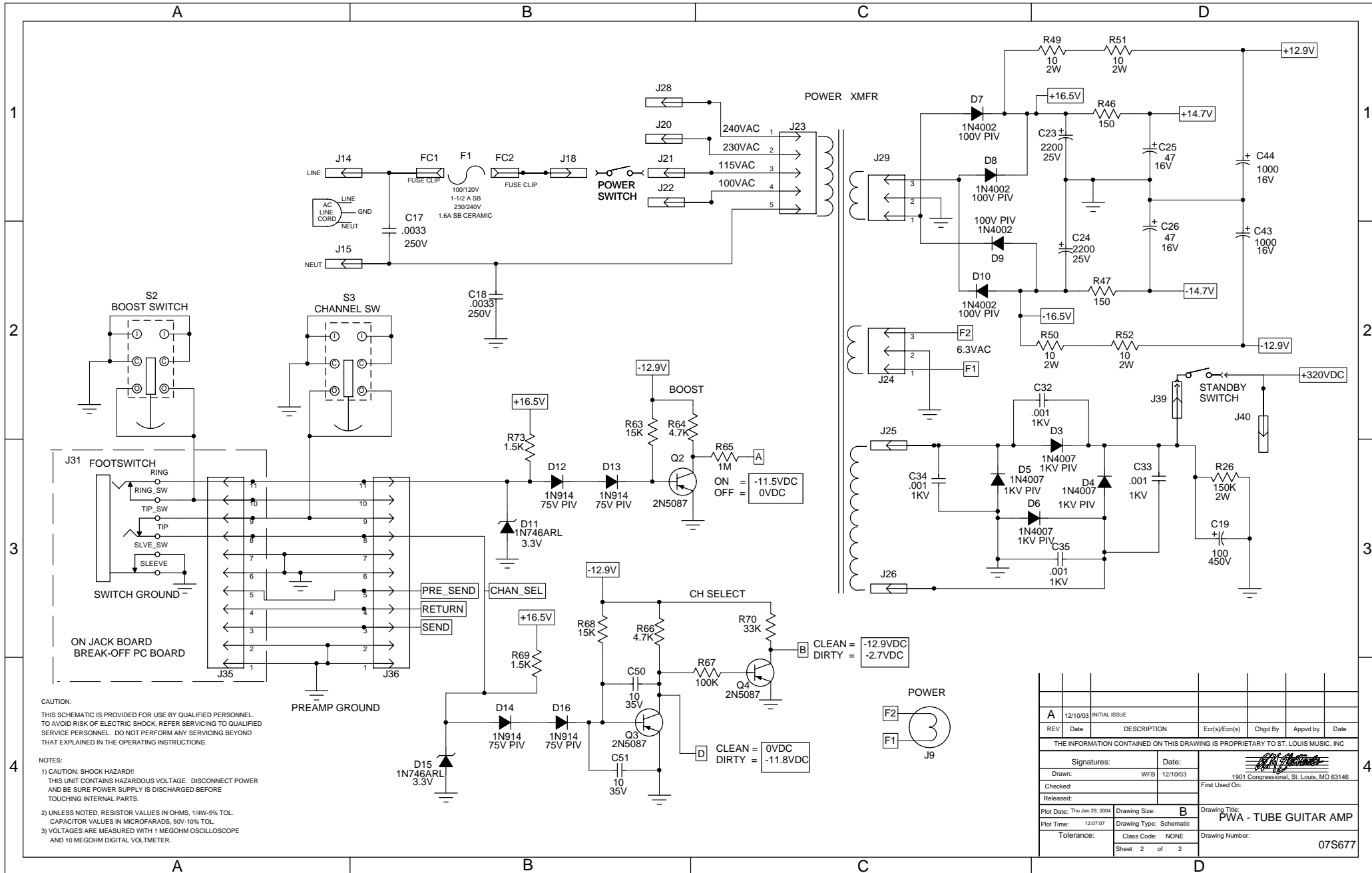
Power Table		
RefDes	+14.7V	-14.7V
IC1 & IC2	8	4

REV	Date	DESCRIPTION	Ecr(s)/Ecn(s)	Chgd By	Appvd by	Date
A	12/10/03	INITIAL ISSUE				

THE INFORMATION CONTAINED ON THIS DRAWING IS PROPRIETARY TO
 ST. LOUIS MUSIC, INC.

Signatures:	Date:	 1901 Congressional, St. Louis, MO 63146 First Used On:
Drawn: WFB	12/10/03	
Checked:		
Released:		

Plot Date: Thu Jan 29, 2004	Drawing Size: C	Drawing Title: PWA - TUBE GUITAR AMP
Plot Time: 12:07:06	Drawing Type: Schematic	Drawing Number: 07S677
Tolerance:	Class Code: NONE	Sheet 1 of 2



CAUTION:
THIS SCHEMATIC IS PROVIDED FOR USE BY QUALIFIED PERSONNEL TO AVOID RISK OF ELECTRIC SHOCK. REFER SERVICING TO QUALIFIED SERVICE PERSONNEL. DO NOT PERFORM ANY SERVICING BEYOND THAT EXPLAINED IN THE OPERATING INSTRUCTIONS.

NOTES:
1) CAUTION: SHOCK HAZARD!! THIS UNIT CONTAINS HAZARDOUS VOLTAGE. DISCONNECT POWER AND BE SURE POWER SUPPLY IS DISCHARGED BEFORE TOUCHING INTERNAL PARTS.
2) UNLESS NOTED, RESISTOR VALUES IN OHMS, 1/4W-5% TOL. CAPACITOR VALUES IN MICROFARADS, 50V-10% TOL.
3) VOLTAGES ARE MEASURED WITH 1 MEGOHM OSCILLOSCOPE AND 10 MEGOHM DIGITAL VOLTMETER.

REV	Date	DESCRIPTION	Ecr(s)/Ecr(n)	Chgd By	Appvd by	Date
A	12/10/03	INITIAL ISSUE				
THE INFORMATION CONTAINED ON THIS DRAWING IS PROPRIETARY TO ST. LOUIS MUSIC, INC						
Signatures:			Date:		12/10/03	
Drawn: WFB			Checked:		First Used On:	
Released:			Class Code: NONE		Drawing Number:	
Plot Date: The Jan 29 2004			Drawing Size: B		Drawing Title: PWA - TUBE GUITAR AMP	
Plot Time: 12:07:07			Drawing Type: Schematic		Sheet 2 of 2	
Tolerance:			Class Code: NONE		Drawing Number: 07S677	