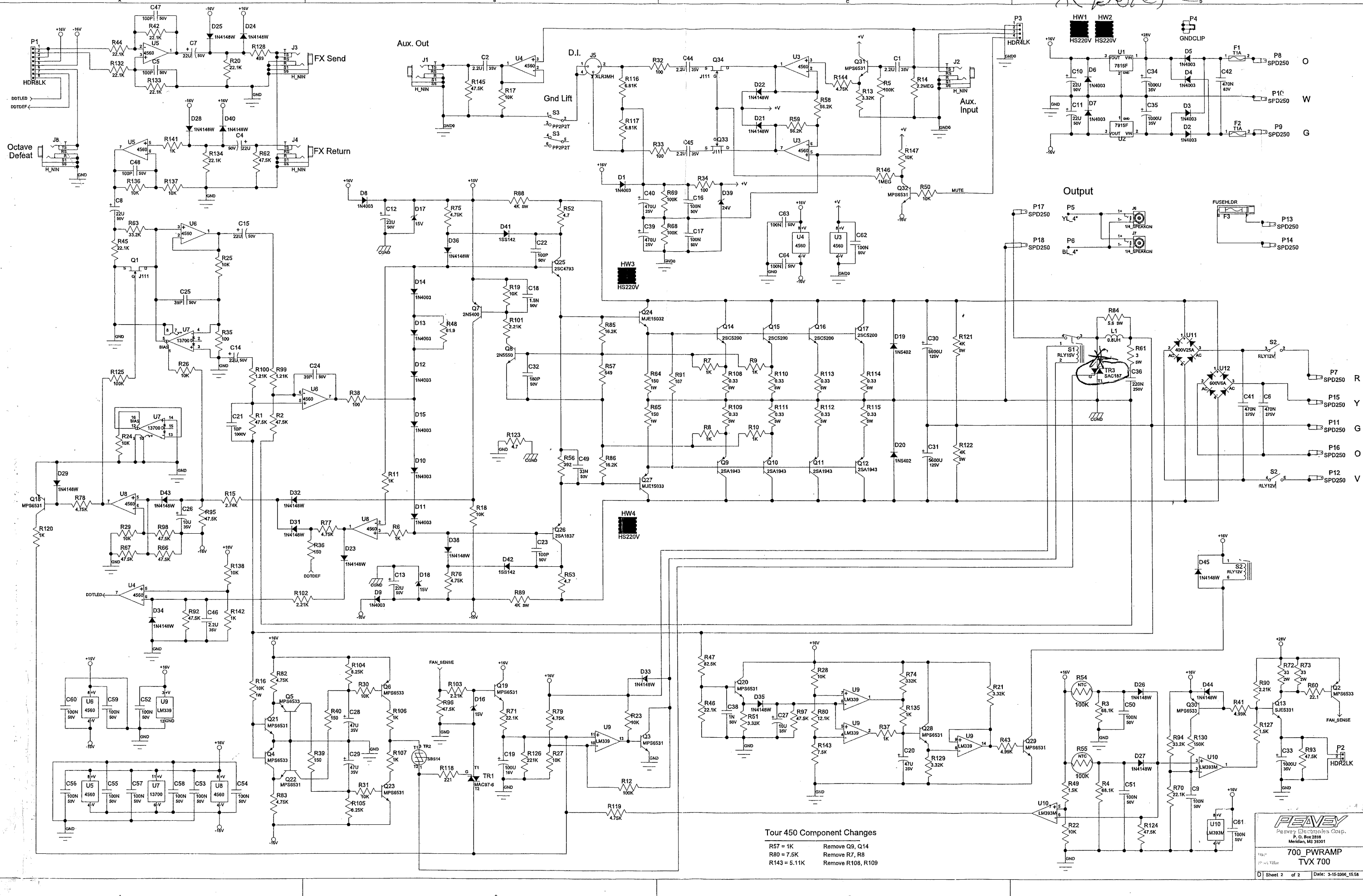


Delete



Tour 450 Component Changes
 R57 = 1K Remove Q9, Q14
 R80 = 7.5K Remove R7, R8
 R143 = 5.11K Remove R108, R109

PEAVEY
 Peavey Electronics Corp.
 P. O. Box 2858
 Meriden, MS 38301

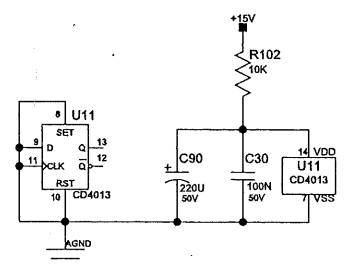
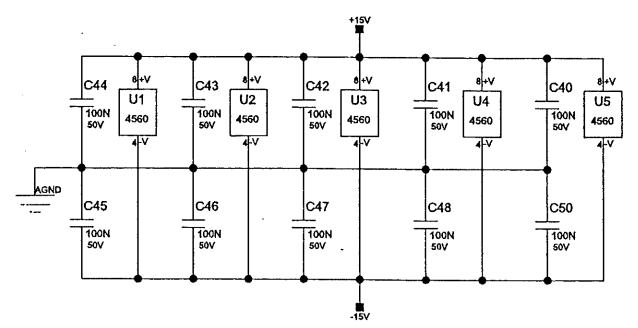
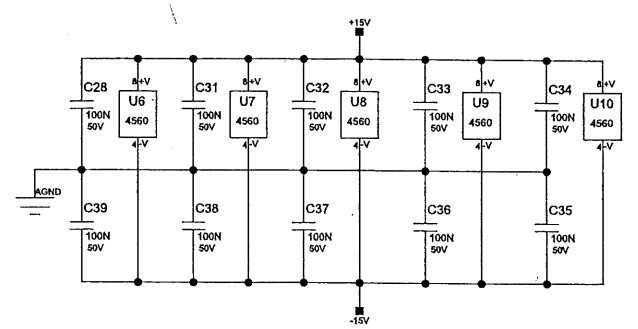
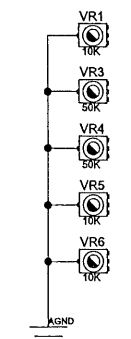
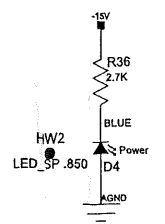
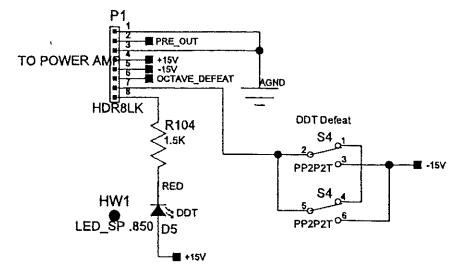
**700 PWRAMP
 TVX 700**

Sheet 2 of 2 Date: 3-16-2006_15-58

REV	Eng	Date:	Revisio	Description	ECN#
A					
B					
C					
D					
E					
F					

INDEX

SHEET	DESCRIPTION
1	Power/Decoupling
2	Preamp
3	Octave Divider

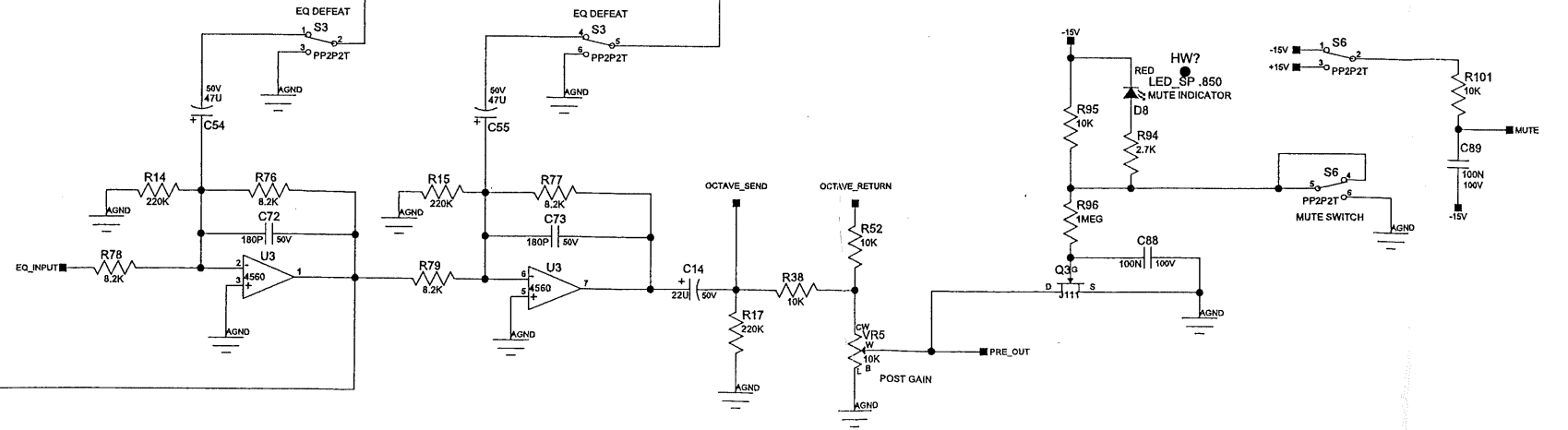
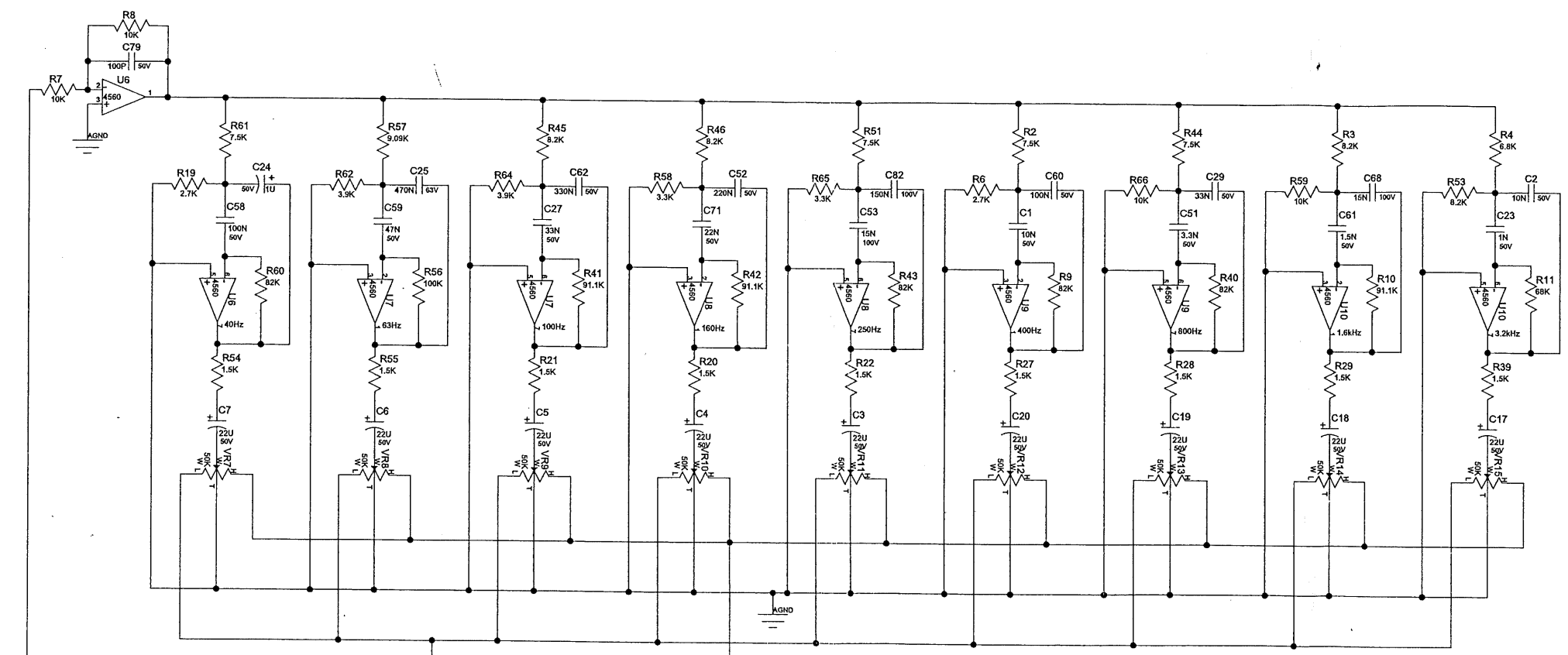
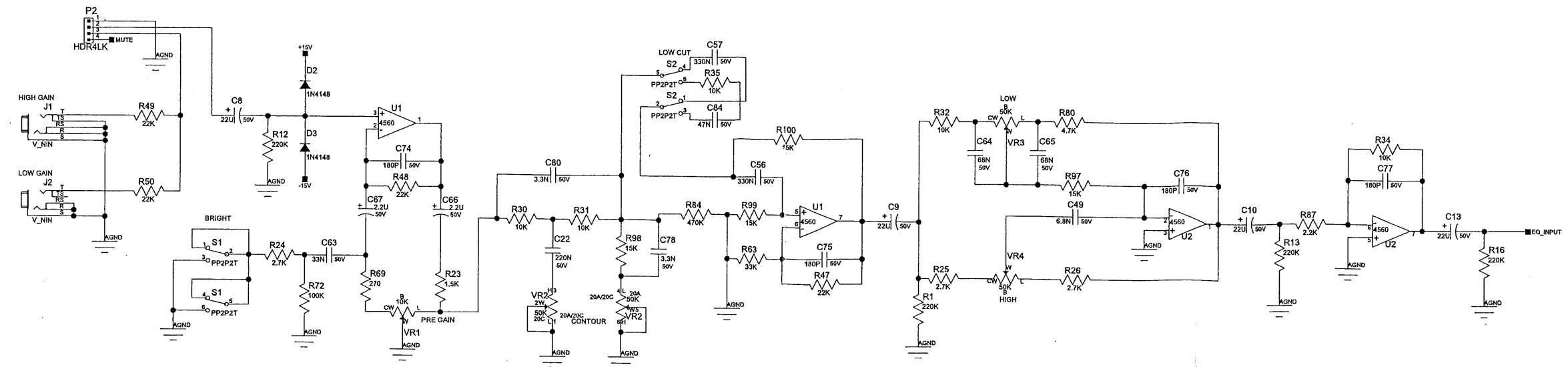


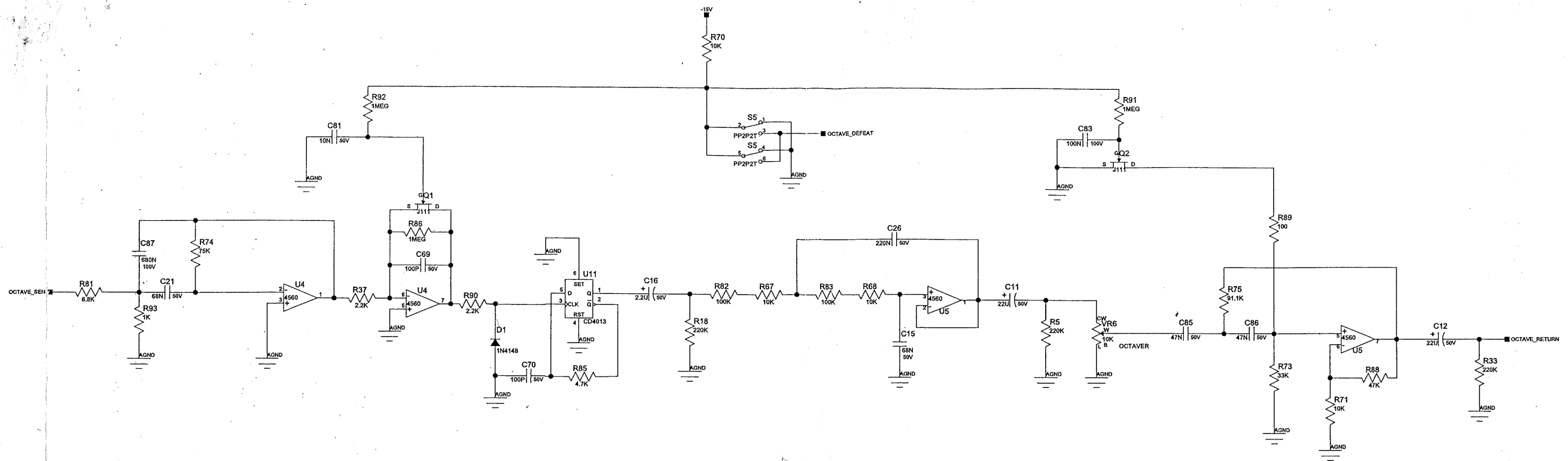
Note: All thru hole Resistors are 1/4 Watt unless otherwise indicated.
 All SMT 1206 Resistors are 1/10 Watt.
 All SMT 0805 Resistors are 1/10 Watt.
 Note Capacitor Values are indicated as follows:
 val P = pF (picoFarads) val * 10 exp -12
 val N = nF (nanoFarads) val * 10 exp -9 (1N=1000pF, 100N=0.1uF)
 val U = uF (microFarads) val * 10 exp 6

Company Proprietary Information

PEAVEY	
Peavey Electronics Corp. P. O. Box 2898 Meriden, MS 39091	
TOUR	
Project Number: Power/Decoupling	
Eng: RBB	Release Date:
Sheet 1 of 3 Saved: 7/14/2006_1432	

Patents:
 Copyright Peavey Electronics Corporation 2005.





10A s.B. main fuse

TOUR 700 NO PICTONIAL