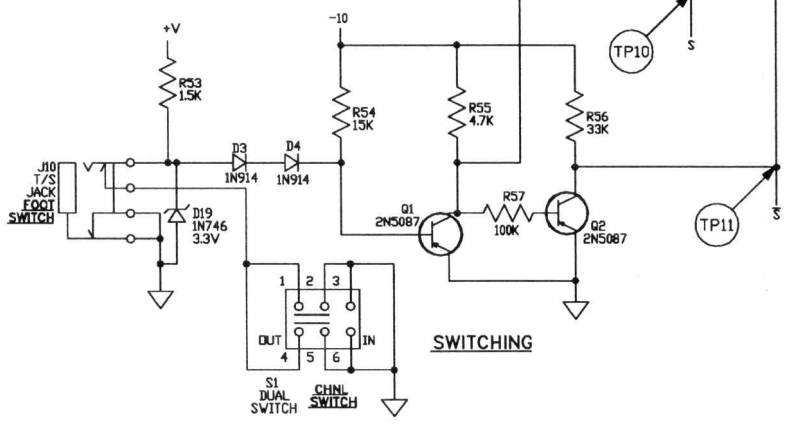


T.P.	CHANNEL A (CLEAN CHANNEL)			CHANNEL B (DIRTY CHANNEL)		
	AC VOLTAGE	DC VOLTAGE	WAVEFORM	AC VOLTAGE	DC VOLTAGE	WAVEFORM
1	12V p-p	133V		16V p-p	133V	
2	12V p-p	131V		—	131V	—
3	10V p-p	136V		18V p-p	136V	
4	38V p-p	189V		35V p-p	189V	
5	—	233V	—	—	233V	—
6	—	247V	—	—	247V	—
7	—	156V	—	100V p-p	156V	
8	—	157V	—	82.5V p-p	157V	
9	8V p-p	—		15V p-p	—	
10	—	0V	—	—	-10V	—
11	—	-10V	—	—	0V	—

ALL CONTROLS MAX. EXCEPT CH. B LEVEL @ 5 AND REV. A & B @ 0  
 INPUT SIGNAL 10mV @ 1kHz  
 LINE VOLTAGE 120VAC @ 60Hz  
 ALL DC VOLTAGES WITH NO SIGNAL APPLIED



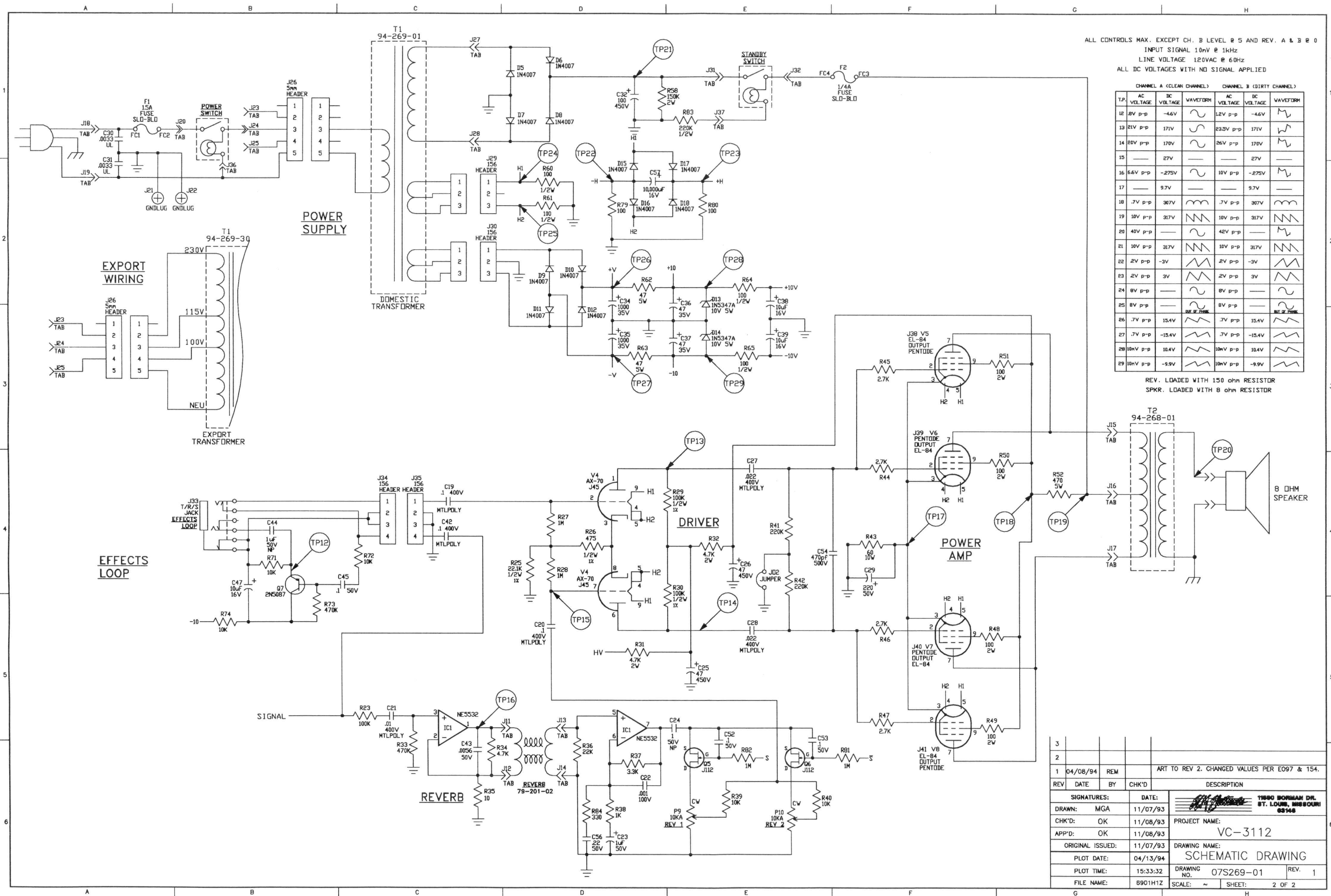
- NOTES**
- 1) CAUTION: SHOCK HAZARD!! THIS UNIT CONTAINS HAZARDOUS VOLTAGE. DISCONNECT POWER AND BE SURE POWER SUPPLY IS DISCHARGED BEFORE TOUCHING INTERNAL PARTS.
  - 2) UNLESS NOTED, RESISTOR VALUES IN OHMS, 1/4W-5% TOL. CAPACITOR VALUES IN MICROFARADS, 50V-10% TOL.
  - 3) VOLTAGES ARE MEASURED WITH 1 MEGOHM OSCILLOSCOPE AND 10 MEGOHM DIGITAL VOLTMETER.
  - 4) CIRCUIT GROUND  $\perp$  SWITCH GROUND  $\nabla$  CHASSIS GROUND  $\text{||}$

**CAUTION:**  
 THIS SCHEMATIC IS PROVIDED FOR USE BY QUALIFIED PERSONNEL. TO AVOID RISK OF ELECTRIC SHOCK, REFER SERVICING TO QUALIFIED SERVICE PERSONNEL. DO NOT PERFORM ANY SERVICING BEYOND THAT EXPLAINED IN THE OPERATING INSTRUCTIONS.

**LAST DESIGNATOR**  
 R84 D19  
 C56 P10  
 C05 IC1  
 J35 FC4  
 JW43

**UNUSED DESIGNATOR**  
 Q3 Q4  
 C6 C49  
 C7 C46  
 R77 R78  
 J01 J03  
 J04

3				
2				
1	04/08/94	REM		ART TO REV 2. CHANGED VALUES PER E097 & 154.
REV	DATE	BY	CHK'D	DESCRIPTION
SIGNATURES:		DATE:		11880 BORMAN DR. ST. LOUIS, MISSOURI 63148
DRAWN: MGA		11/07/93		
CHK'D: OK		11/08/93		PROJECT NAME:
APP'D: OK		11/08/93		VC-3112
ORIGINAL ISSUED:		11/07/93		DRAWING NAME:
PLOT DATE:		04/13/94		SCHEMATIC DRAWING
PLOT TIME:		15:33:32		DRAWING NO. 07S269-01
FILE NAME:		26901H1Z		REV. 1
		SCALE: ~		SHEET: 1 OF 2



ALL CONTROLS MAX. EXCEPT CH. B LEVEL @ 5 AND REV. A & B @ 0  
 INPUT SIGNAL 10mV @ 1kHz  
 LINE VOLTAGE 120VAC @ 60Hz  
 ALL DC VOLTAGES WITH NO SIGNAL APPLIED

T.P.	CHANNEL A (CLEAN CHANNEL)			CHANNEL B (DIRTY CHANNEL)		
	AC VOLTAGE	DC VOLTAGE	WAVEFORM	AC VOLTAGE	DC VOLTAGE	WAVEFORM
12	8V p-p	-4.6V	~	12V p-p	-4.6V	~
13	81V p-p	171V	~	23.5V p-p	171V	~
14	86V p-p	170V	~	26V p-p	170V	~
15	—	27V	—	—	27V	—
16	6.6V p-p	-275V	~	10V p-p	-275V	~
17	—	9.7V	—	—	9.7V	—
18	.7V p-p	307V	~	.7V p-p	307V	~
19	10V p-p	317V	~	10V p-p	317V	~
20	40V p-p	—	~	42V p-p	—	~
21	10V p-p	317V	~	10V p-p	317V	~
22	2V p-p	-3V	~	2V p-p	-3V	~
23	2V p-p	3V	~	2V p-p	3V	~
24	8V p-p	—	~	8V p-p	—	~
25	8V p-p	—	~	8V p-p	—	~
26	.7V p-p	15.4V	~	.7V p-p	15.4V	~
27	.7V p-p	-15.4V	~	.7V p-p	-15.4V	~
28	10mV p-p	10.4V	~	10mV p-p	10.4V	~
29	10mV p-p	-9.9V	~	10mV p-p	-9.9V	~

REV. LOADED WITH 150 ohm RESISTOR  
 SPKR. LOADED WITH 8 ohm RESISTOR

REV	DATE	BY	CHK'D	DESCRIPTION
1	04/08/94	REM		ART TO REV 2. CHANGED VALUES PER E097 & 154.

SIGNATURES:	DATE:	1980 BORNHAIN DR. ST. LOUIS, MISSOURI 63148
DRAWN: MGA	11/07/93	
CHK'D: OK	11/08/93	PROJECT NAME:
APP'D: OK	11/08/93	VC-3112
ORIGINAL ISSUED:	11/07/93	DRAWING NAME:
PLOT DATE:	04/13/94	SCHEMATIC DRAWING
PLOT TIME:	15:33:32	DRAWING NO. 07S269-01
FILE NAME:	6901H1Z	SCALE: ~ SHEET: 2 OF 2