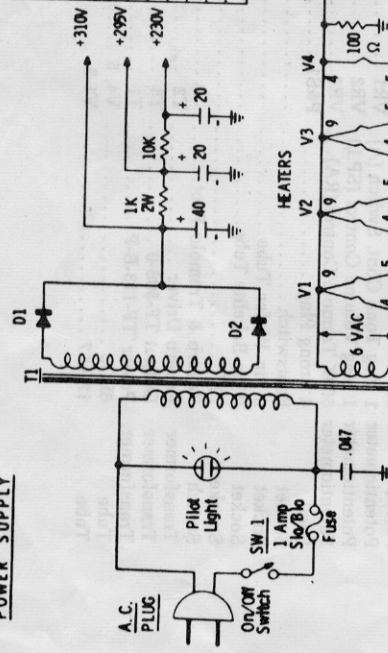
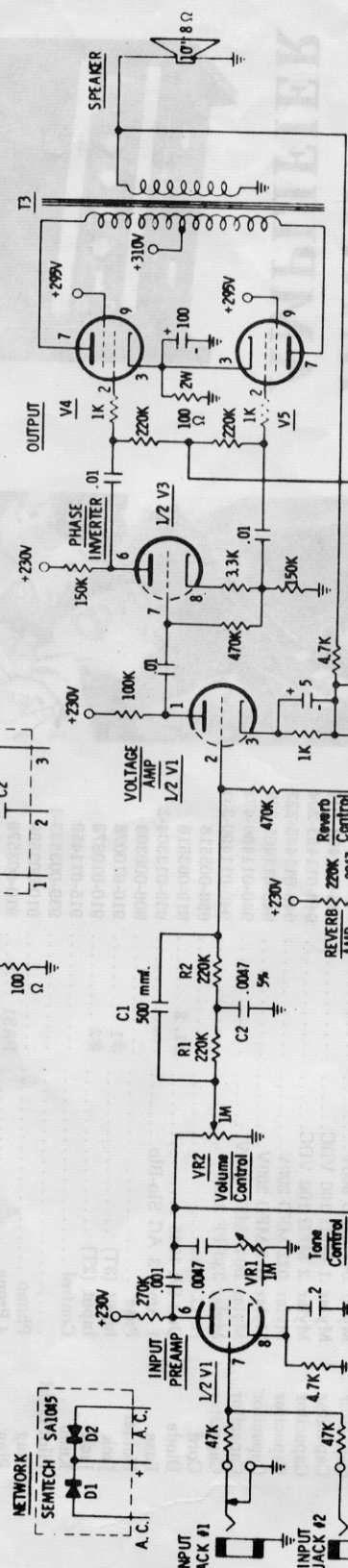
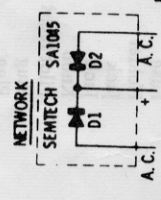
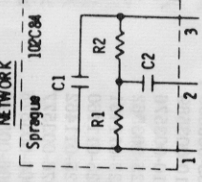
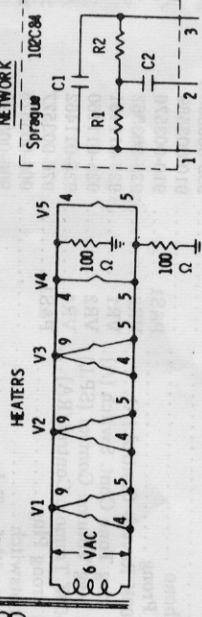


POWER SUPPLY



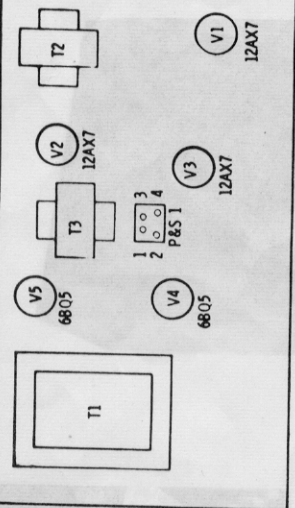
VOLTAGE CHART

PIN	V1	V2	V3	V4	V5
1	+146V	+230V	+165V	-	-
2	0	0	-1.1V	0	0
3	+ .95V	+1.6V	Heater	+9.15V	+9.15V
4	Heater	Heater	Heater	Heater	Heater
5	Heater	Heater	Heater	Heater	Heater
6	+1.5V	+65V	+192V	+295V	+295V
7	B	0	+3V	+295V	+295V
8	+1.5V	+45V	+52V	+295V	+295V
9	Heater	Heater	Heater	+295V	+295V



NOTES:

- All resistors 1/2 watt 10% unless otherwise specified
- All capacitors are in microfarads unless otherwise specified.
- All voltages measured to ground with a Simpson 260 VOM.
- See parts list for component part nos.



**GIBSON HAWK
AMPLIFIER**
Dwg. No. 1 From Serial No. 3000