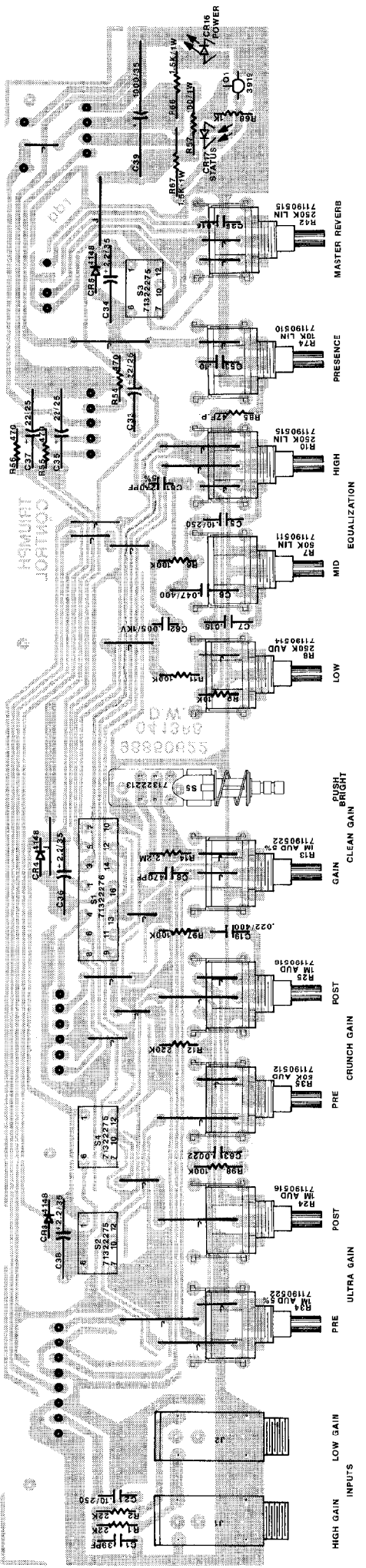


**TRIUMPH® 60/120**  
 SINGLE UNIT & TOP BOX VERSIONS  
 POWER SUPPLY BD. #98850581 (3-22-88)  
 60W TUBE BD. #98850590 (3-4-87)  
 120W TUBE BD. #98850600 (3-4-87)  
 CRAMP. BD. #98850610 (3-19-87)  
 CRAMP. BD. #98850620 (3-19-87)  
 FOOTSWITCH BD. #98850660 (5-28-87)

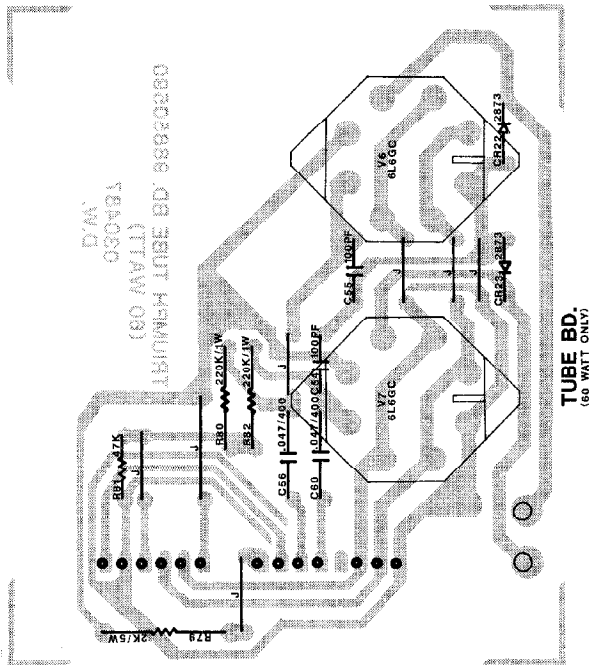
PEAVEY ELECTRONICS CORP.  
 111 A ST.  
 MERIDEN, MS  
 DRAWN BY *DRH* DATE *8-15-88*  
 C.B. CK. *DRH*  
 CK. BY *[Signature]*  
 APPR. BY *[Signature]*

COPYRIGHT 1988 PEAVEY ELECTRONICS CORP. PRINTED IN U.S.A.

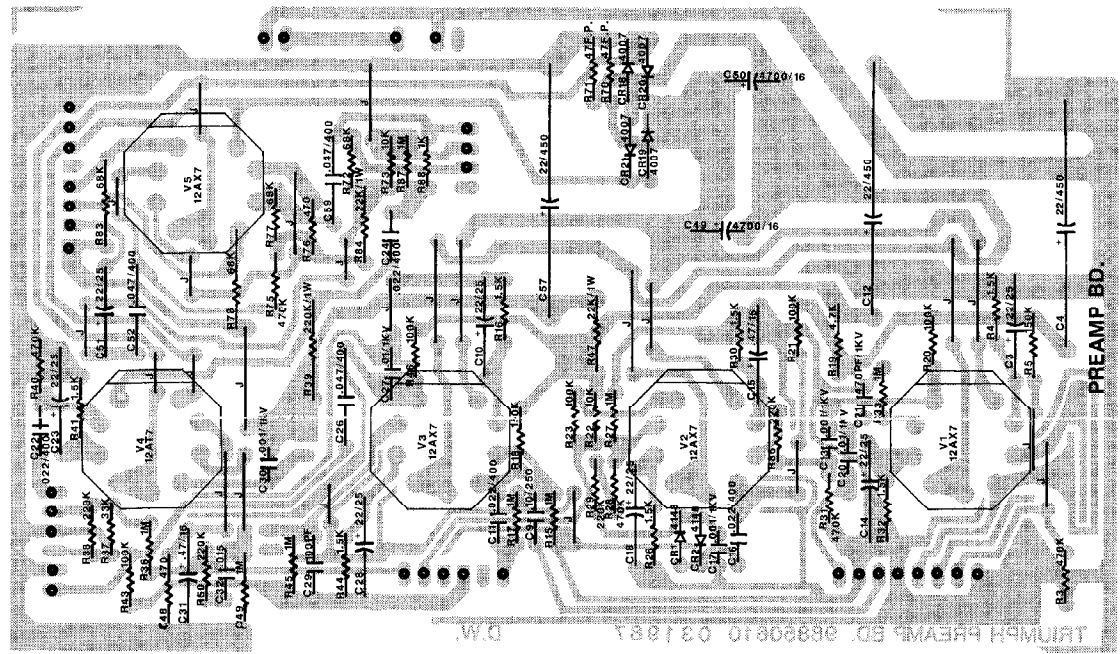
NOTES:  
 ALL RESISTORS 1/4W UNLESS NOTED  
 ALL RESISTORS IN OHMS UNLESS NOTED  
 ALL POTS ARE LINEAR UNLESS NOTED  
 ALL CAPACITORS IN MFD UNLESS NOTED  
 ALL CAPACITORS IN PFD UNLESS NOTED  
 VOLTAGES MAY VARY FROM UNIT TO UNIT  
 LAST REFERENCE DESIGNATOR USED:  
 RBB 63 CR23 S8 V9 J7 Q1  
 RBB 63 CR23 S8 V9 J7 Q1  
 V..\* DENOTES 120W AMP ONLY



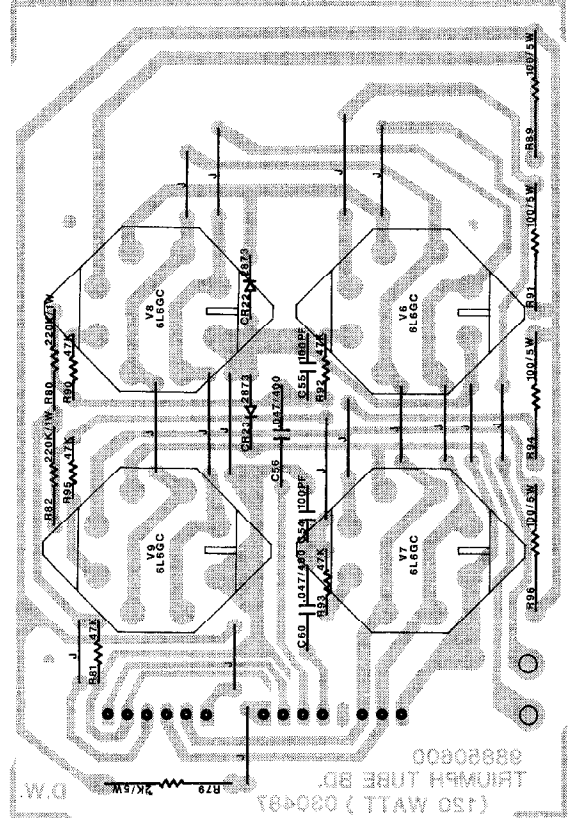
CONTROL BD.



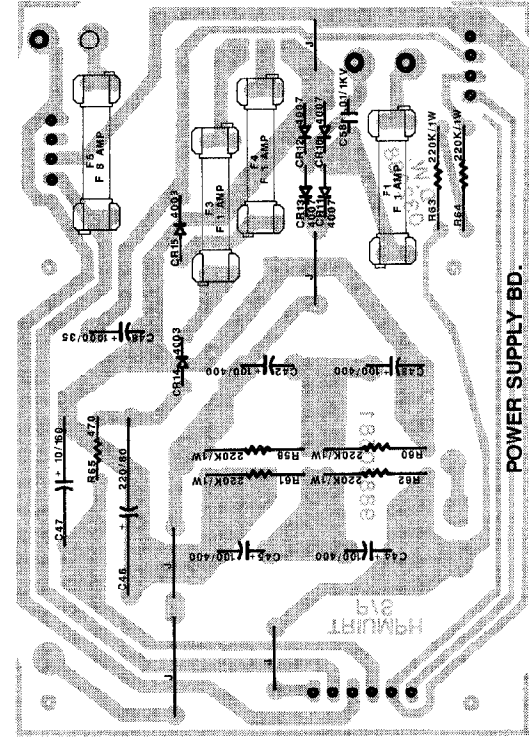
TUBE BD.  
(60 WATT ONLY)



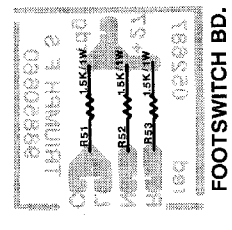
PREAMP BD.



TUBE BD.  
(150 WATT ONLY)



POWER SUPPLY BD.



FOOTSWITCH BD.