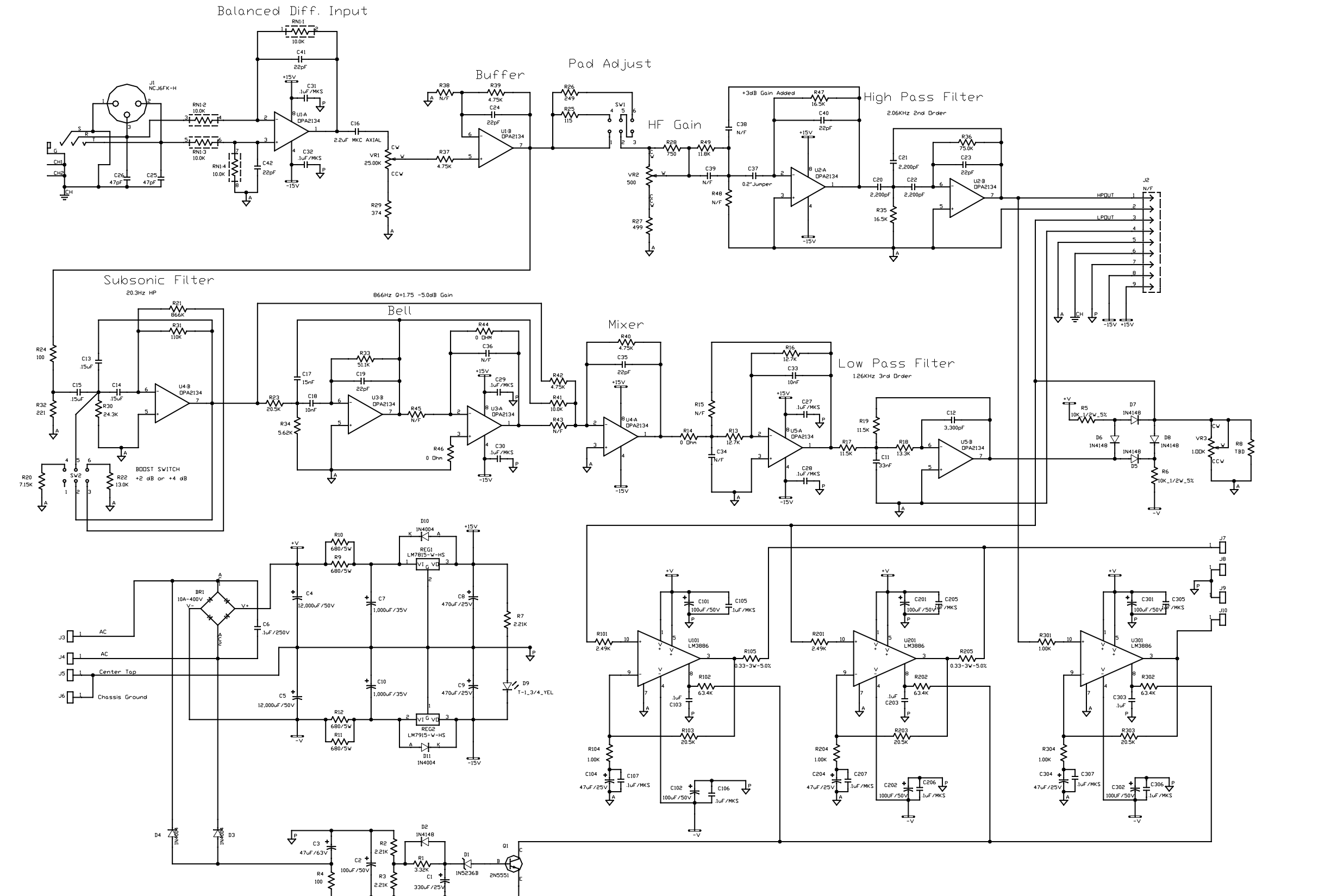


REVISIONS			
BY	CHK	REV	DESCRIPTION



NOTES:

		KRK Systems, Inc.	
		Schematic V8	
DATE 04/13/98	DRAWN BY L. ALTMAN	DWG NO. SD-130000-00	REV 1
DATE	INSPECTED BY	SCALE DO NOT SCALE DRAWING	SHEET 1 of 1