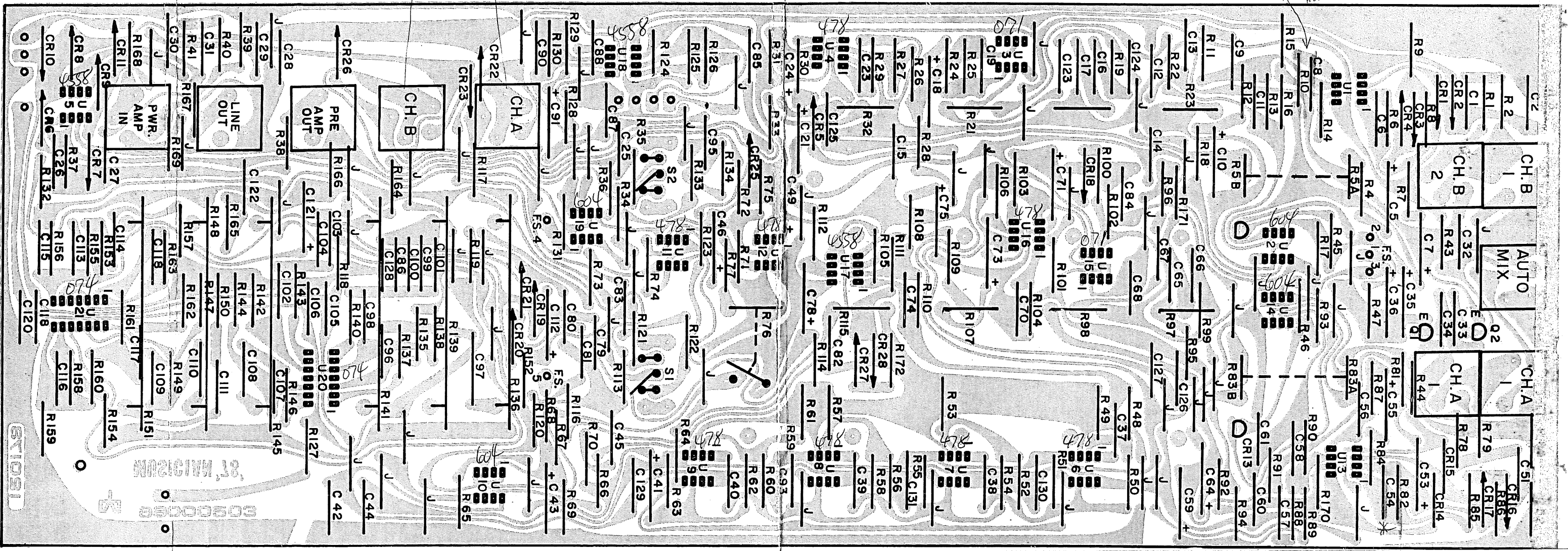


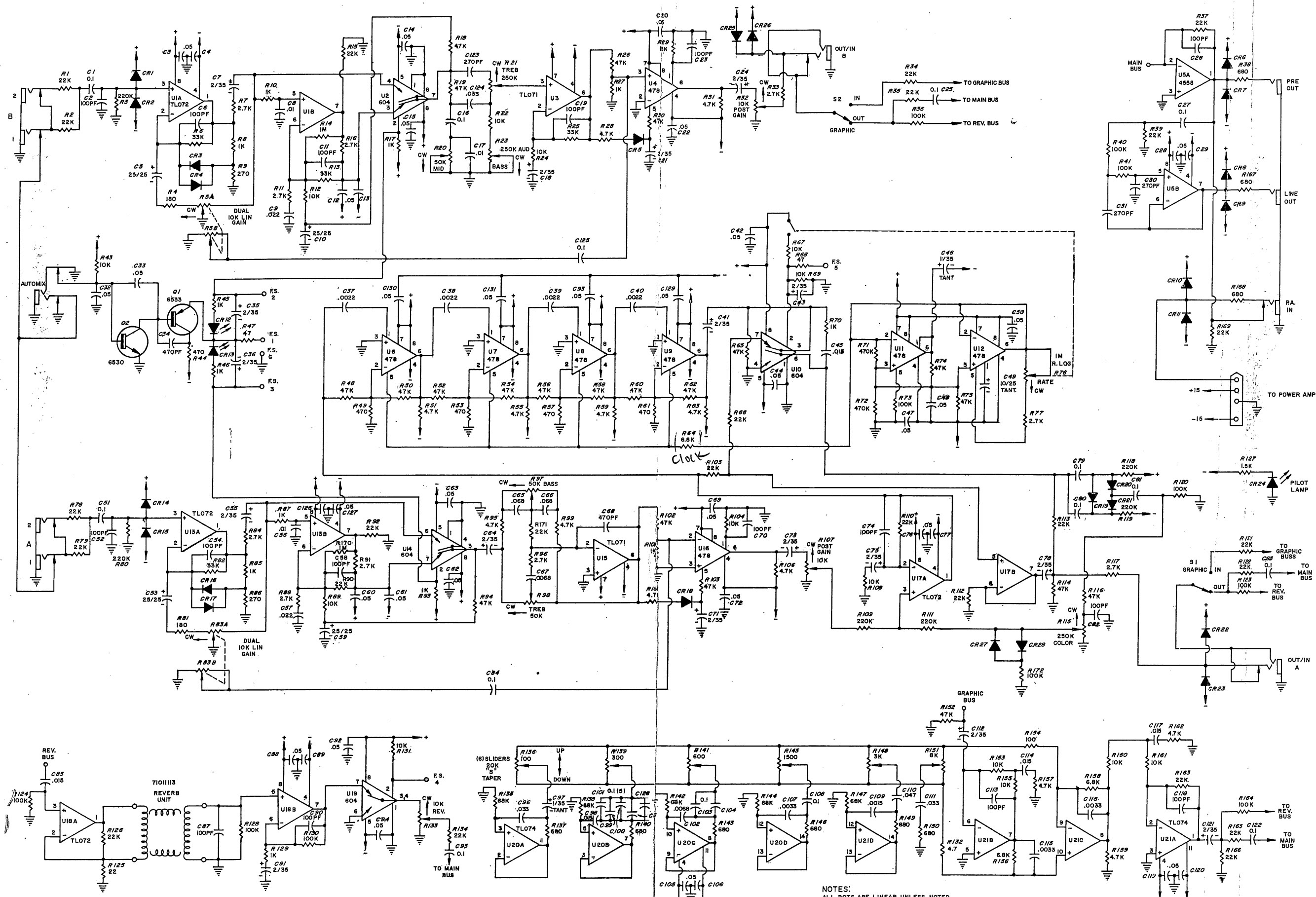
7466042 7466042

\* Low gain ?  
Distortion  
Hot chassis



8T10951

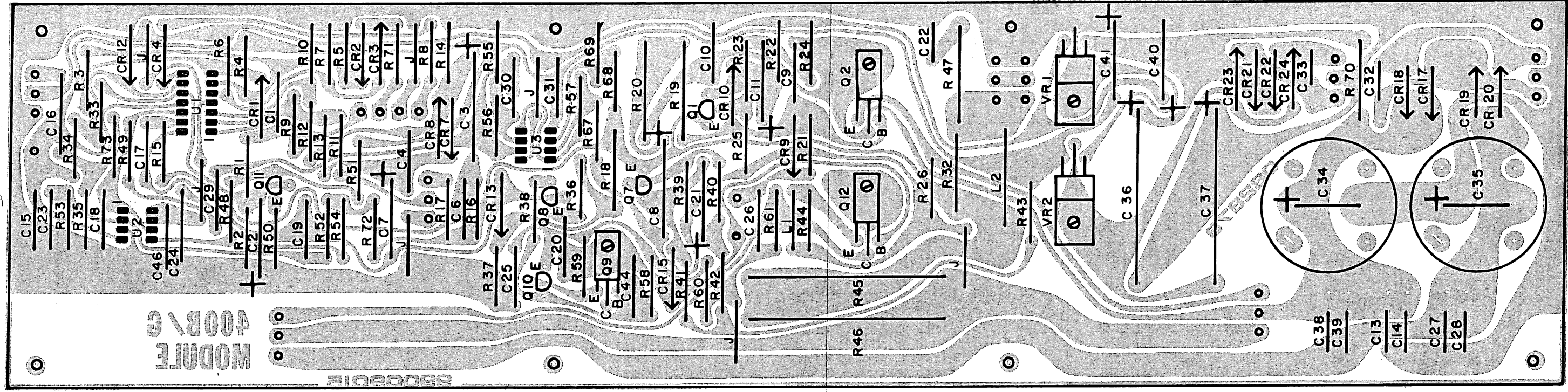
8T10951

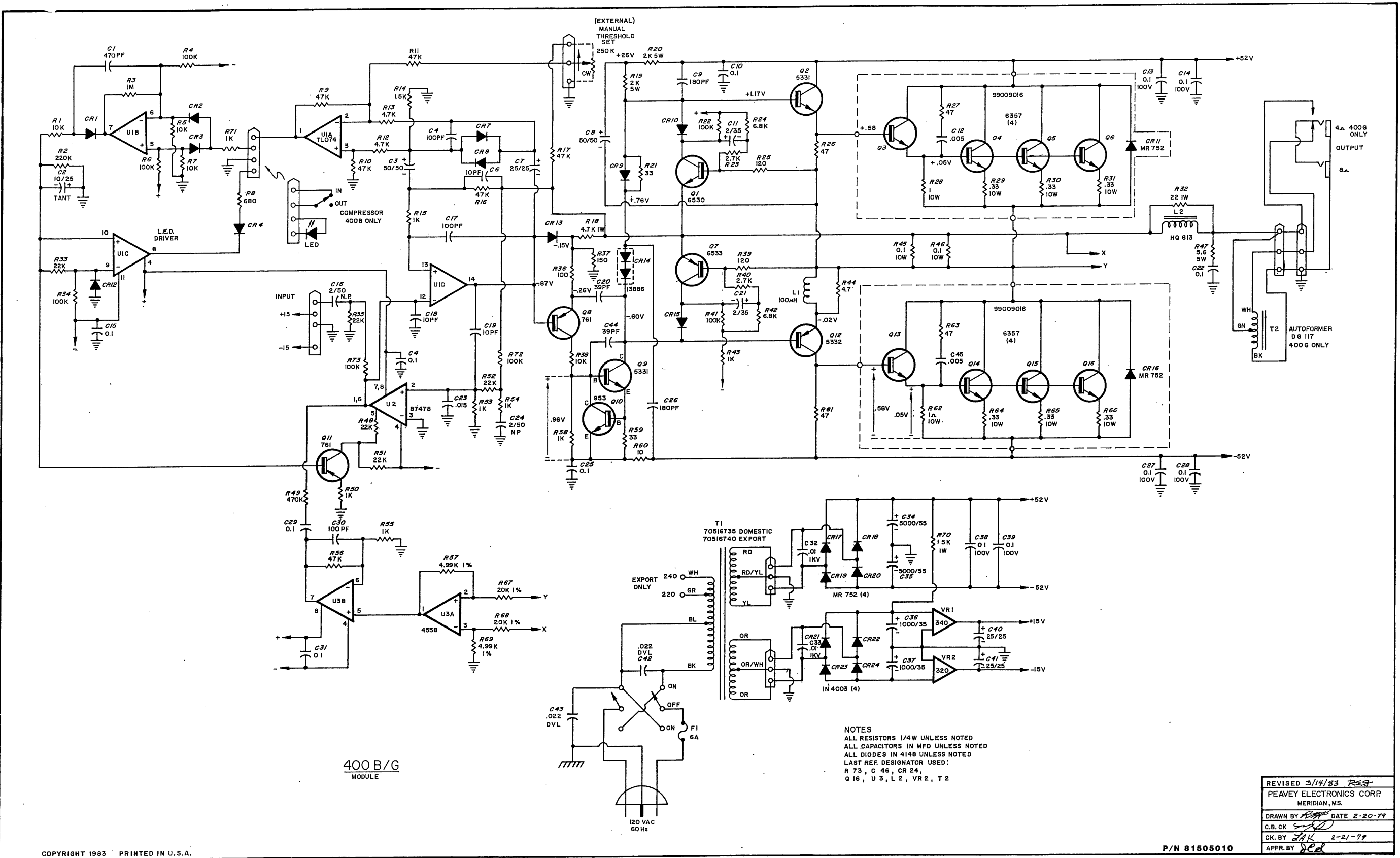


**MUSICIAN  
MARK III SERIES**

NOTES:  
 ALL POTS ARE LINEAR UNLESS NOTED  
 ALL RESISTORS 1/4W UNLESS NOTED  
 ALL CAPACITORS IN MFD UNLESS NOTED  
 ALL DIODES IN 4148 UNLESS NOTED  
 LAST REF. DESIGNATOR USED:  
 R 172 C 131 CR 28  
 Q 2 U21 S2

PEAVEY ELECTRONICS CORP.  
 MERIDIAN, MS.  
 DRAWN BY *[Signature]* DATE 2-22-79  
 C.B. CK  
 C.K. BY *[Signature]* 2-26-79  
 APPR BY *[Signature]*





NOTES  
 ALL RESISTORS 1/4W UNLESS NOTED  
 ALL CAPACITORS IN MFD UNLESS NOTED  
 ALL DIODES IN 4148 UNLESS NOTED  
 LAST REF. DESIGNATOR USED:  
 R 73, C 46, CR 24,  
 Q 16, U 3, L 2, VR 2, T 2

REVISED 3/14/83	REG
PEAVEY ELECTRONICS CORP. MERIDIAN, MS.	
DRAWN BY <i>[Signature]</i>	DATE 2-20-79
C.B. CK <i>[Signature]</i>	
CK. BY <i>[Signature]</i>	2-21-79
APPR. BY <i>[Signature]</i>	