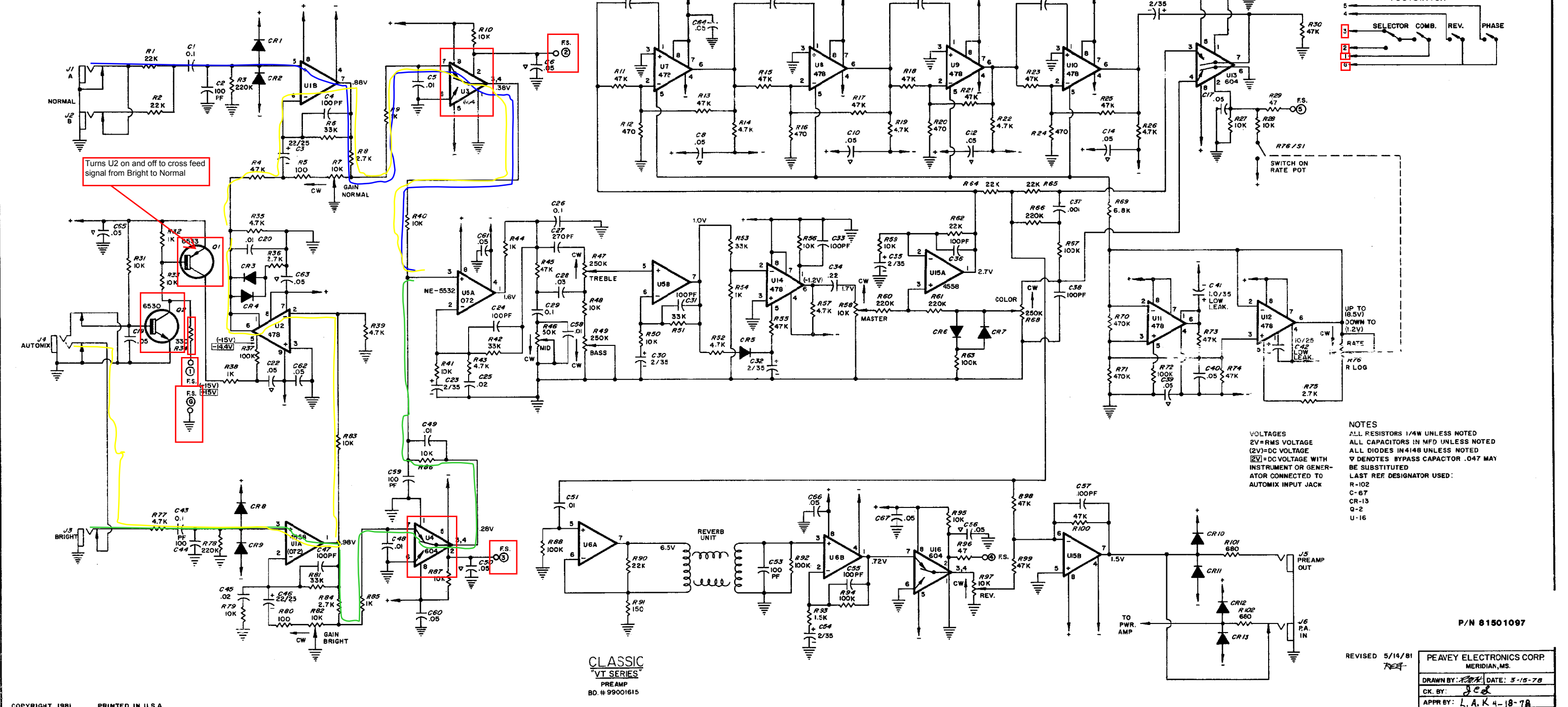


TEST CONDITIONS:
 INPUT SIGNAL - .15VRMS @ 1KHz
 TONE CONTROLS AT 12:00
 MASTER GAIN FULL
 ADJUST PRE GAIN FOR 14VRMS AT OUTPUT



Turns U2 on and off to cross feed signal from Bright to Normal

NOTES
 ALL RESISTORS 1/4W UNLESS NOTED
 ALL CAPACITORS IN MFD UNLESS NOTED
 ALL DIODES IN 4148 UNLESS NOTED
 ∇ DENOTES BYPASS CAPACITOR .047 MAY BE SUBSTITUTED
 LAST REF DESIGNATOR USED:
 R-102
 C-67
 CR-13
 Q-2
 U-16

VOLTAGES
 2V=RMS VOLTAGE
 (2V)=DC VOLTAGE
 (2V)=DC VOLTAGE WITH INSTRUMENT OR GENERATOR CONNECTED TO AUTOMIX INPUT JACK

CLASSIC
 VT SERIES
 PREAMP
 BD.#99001615

P/N 81501097

REVISED 5/14/81
 PEAVEY ELECTRONICS CORP.
 MERIDIAN, MS.
 DRAWN BY: [Signature] DATE: 5-15-78
 CK. BY: [Signature]
 APPR BY: L. A. K 4-18-78