

March 8th, 1972

Conversion of old YBA-1 with 5AR4 rectifier and <sup>7027A</sup>~~7027A~~ output tubes to solid state rectifier and 6CA7 output tubes:

The old circuit (1) fits on old circuit (2) at points A B C D and E to convert the rectifier. It may be possible to fit some of the PH204's right on the old 5AR4 socket as terminal points, or, solder in a separate terminal lug strip.

The 6CA7 and the 7027A have the same tube basing except that you will have to connect G3 pin 1 to pin 8 externally for the 6CA7. We suggest also a 1.5K  $\frac{1}{2}$ W resistor in series with the G1 on pin 5 of the 6CA7 to prevent oscillation. We suggest you reduce R30 from 56K to 47K to make the no signal grid bias voltage - 38V.

Except for the transformer voltages, circuit 3 shows the amplifier converted to 6CA7's. The addition of the shock mount rubber feet will insure longer tube life.

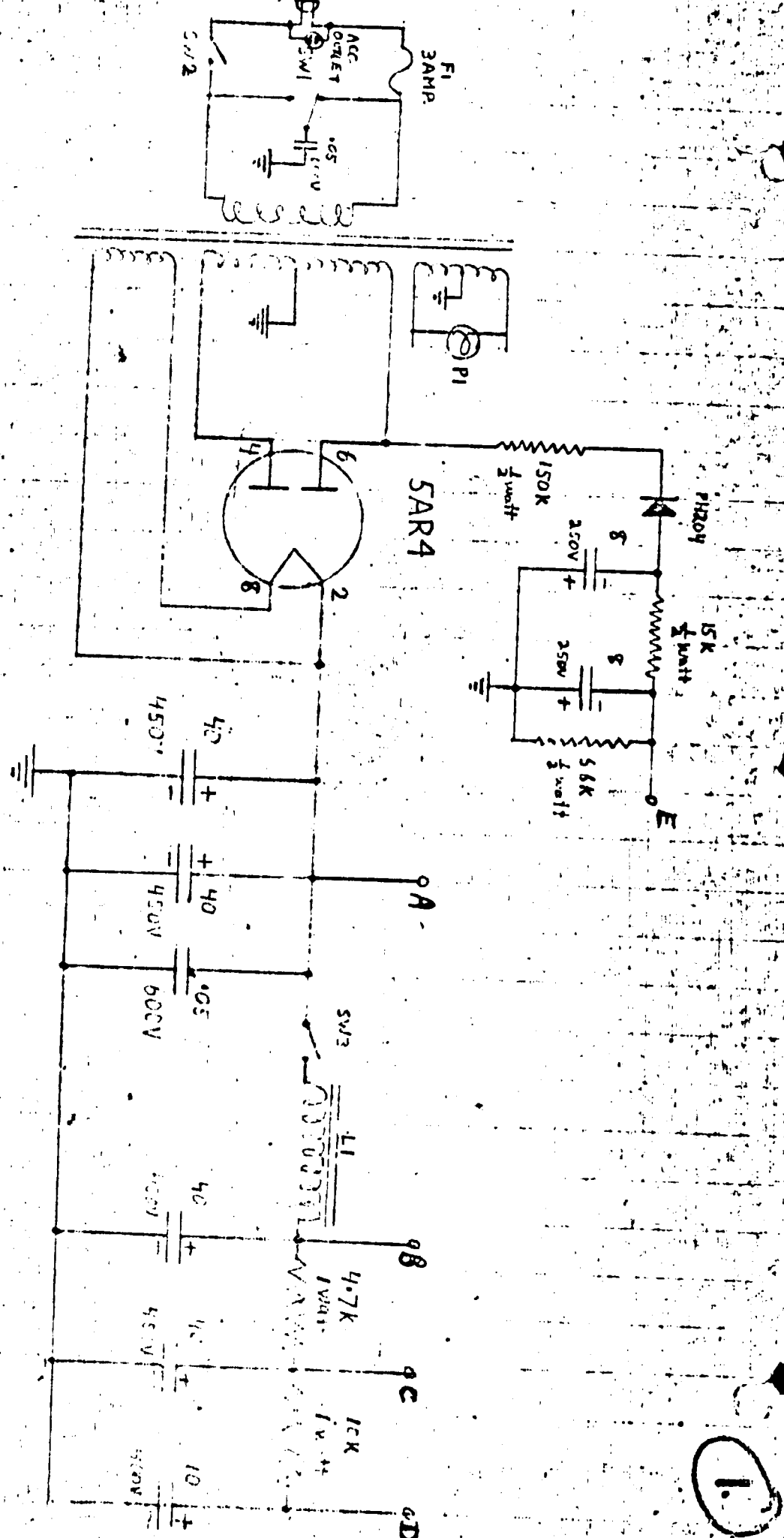
We have included the latest schematic for reference but we do not recommend that you delete the ~~choke~~ in your conversion.

Yours truly,  
YORKVILLE SOUND LIMITED

P. A. Hallam, P. Eng

PAH:vc

(9)



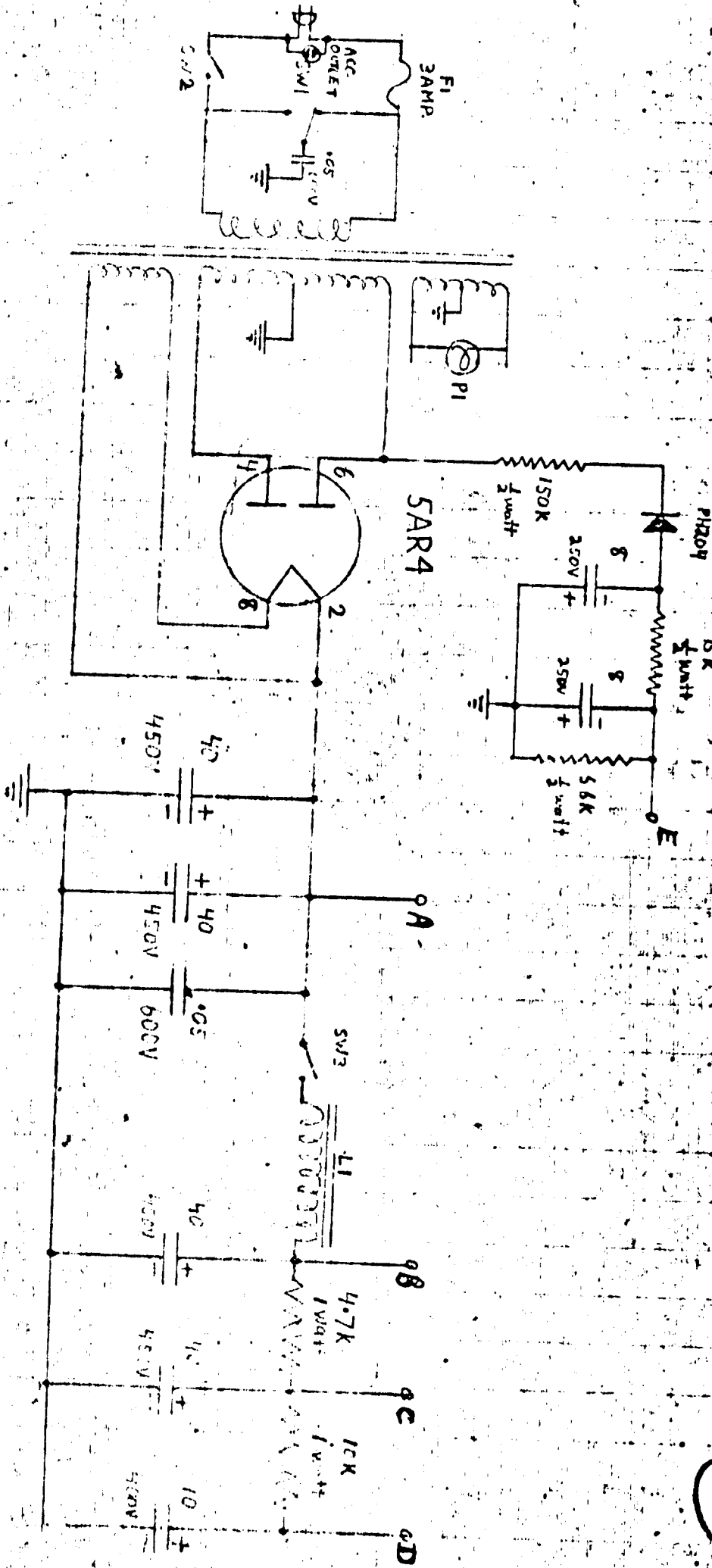
YBA-1 Power Supply Using Tube Rectifier

April - 1966

YORKVILLE SOUND LTD  
TORONTO CAN.  
YBA-1



1.



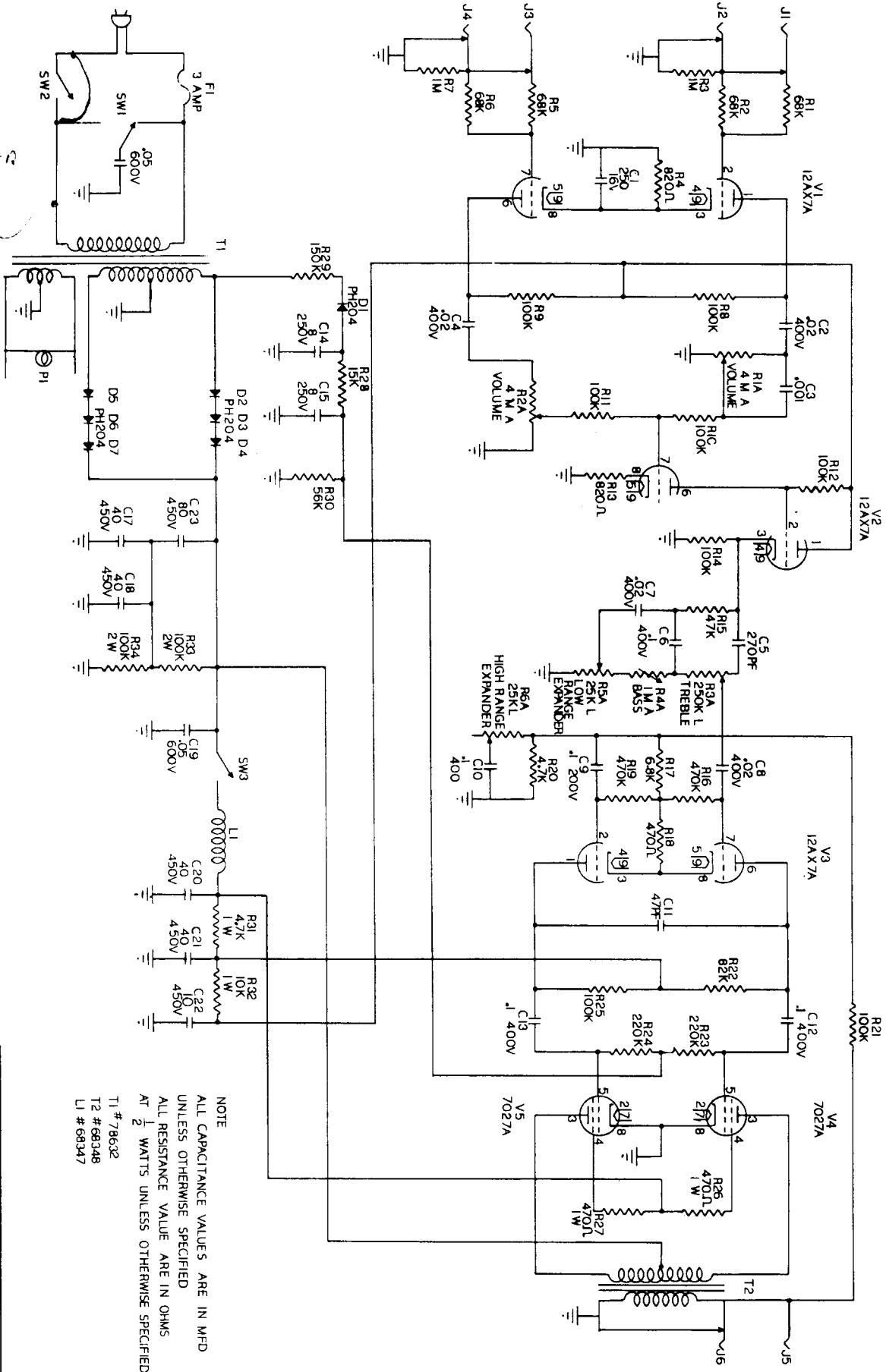
# YBA-1 Power Supply Using Tube Rectifier

April - 1966

YORKVILLE SOUND LTD  
TORONTO CAN.

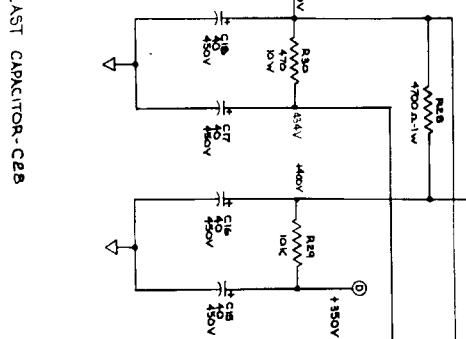
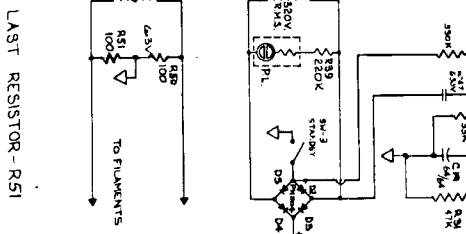
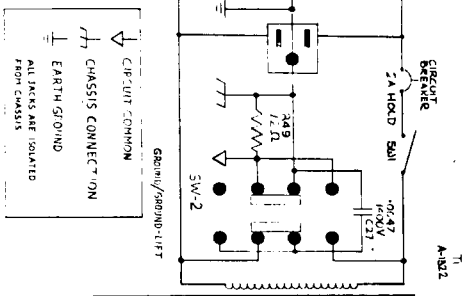
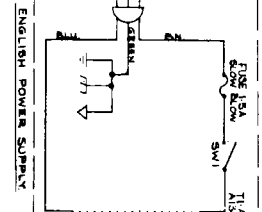
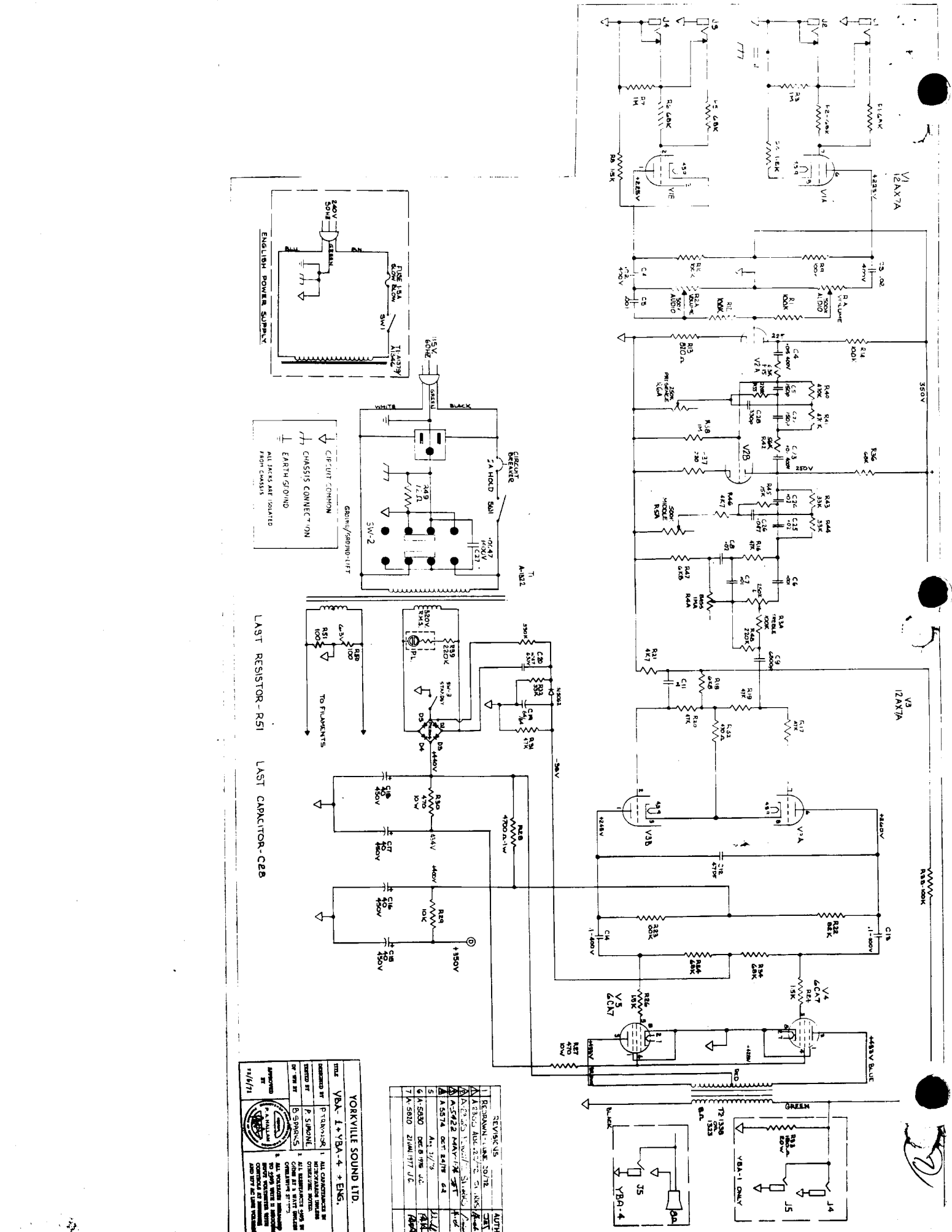
LEAD ON OLD

ORIGINAL VERSION



NOTE  
 ALL CAPACITANCE VALUES ARE IN MFD  
 UNLESS OTHERWISE SPECIFIED  
 ALL RESISTANCE VALUE ARE IN OHMS  
 AT 1/2 WATTS UNLESS OTHERWISE SPECIFIED  
 T1 # 78632  
 T2 # 68348  
 L1 # 68347

YORKVILLE SOUND LTD	
BASS MASTER	YBA-1
DESIGN BY	OCT 21 1966
PETE TRANOR	DRAWN BY GRANT LAUGHLIN



**YORKVILLE SOUND LTD.**  
**YBA-1 + YBA-4 + ENG.**

DESIGNED BY: P. SIMONS  
 CHECKED BY: P. SIMONS  
 DRAWN BY: B. SIMONS

1. ALL CAPACITORS IN THIS CIRCUIT ARE OF THE POLYESTER TYPE.  
 2. ALL RESISTORS ARE OF THE CARBON FILM TYPE.  
 3. ALL COMPONENTS ARE TO BE OF THE HIGHEST QUALITY AVAILABLE.  
 4. ALL COMPONENTS ARE TO BE OF THE HIGHEST QUALITY AVAILABLE.  
 5. ALL COMPONENTS ARE TO BE OF THE HIGHEST QUALITY AVAILABLE.

YORKVILLE SOUND LTD.  
 21, WINDYBUSH LANE, WINDYBUSH, DURHAM, ENGLAND.

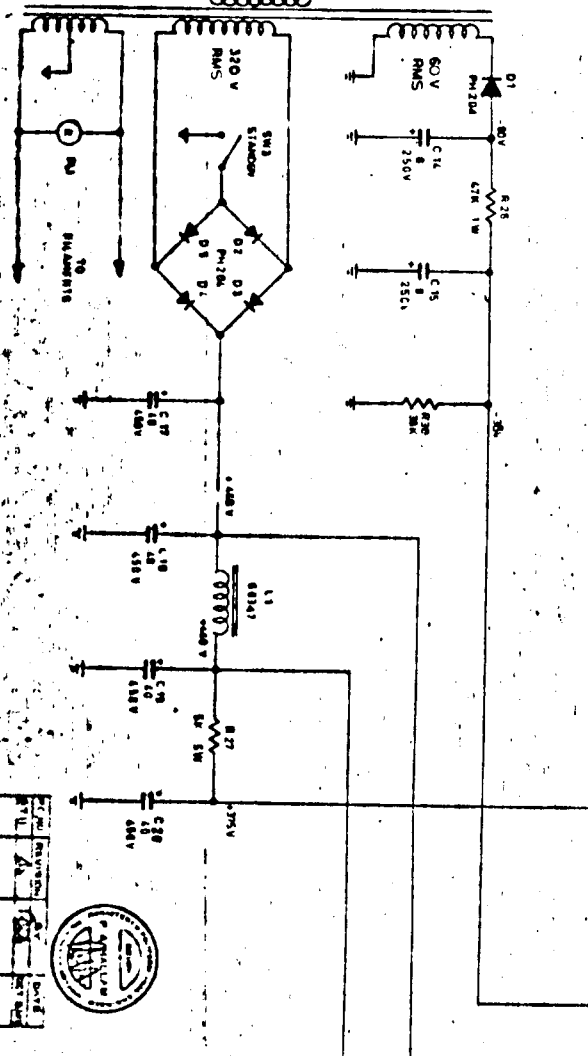
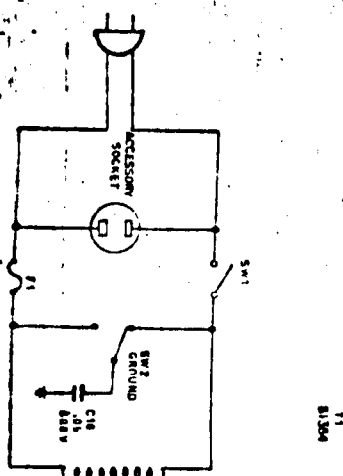
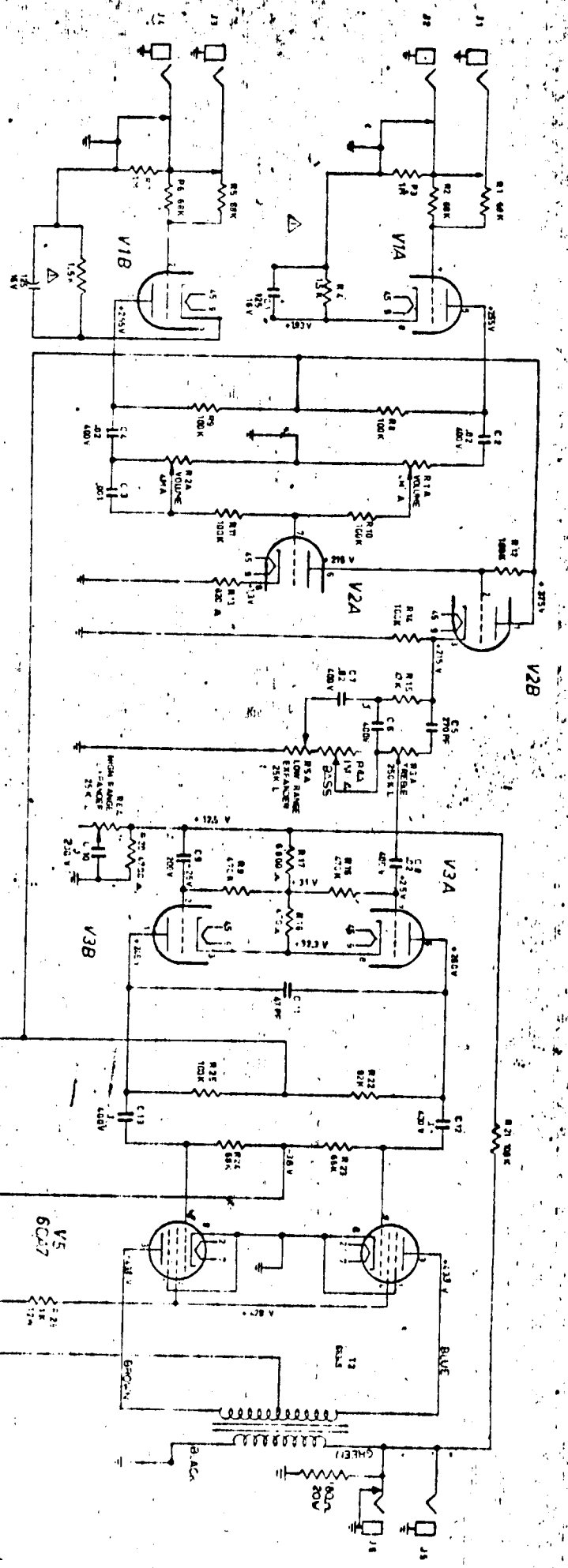
REV.	DESCRIPTION	DATE	AUTH.
1	REVISION - 1st	20/7/54	PS
2	REVISION - 2nd	20/7/54	PS
3	REVISION - 3rd	20/7/54	PS
4	REVISION - 4th	20/7/54	PS
5	REVISION - 5th	20/7/54	PS
6	REVISION - 6th	20/7/54	PS
7	REVISION - 7th	20/7/54	PS

V1  
12AX7A

V2  
12AX7A

V3  
12AX7A

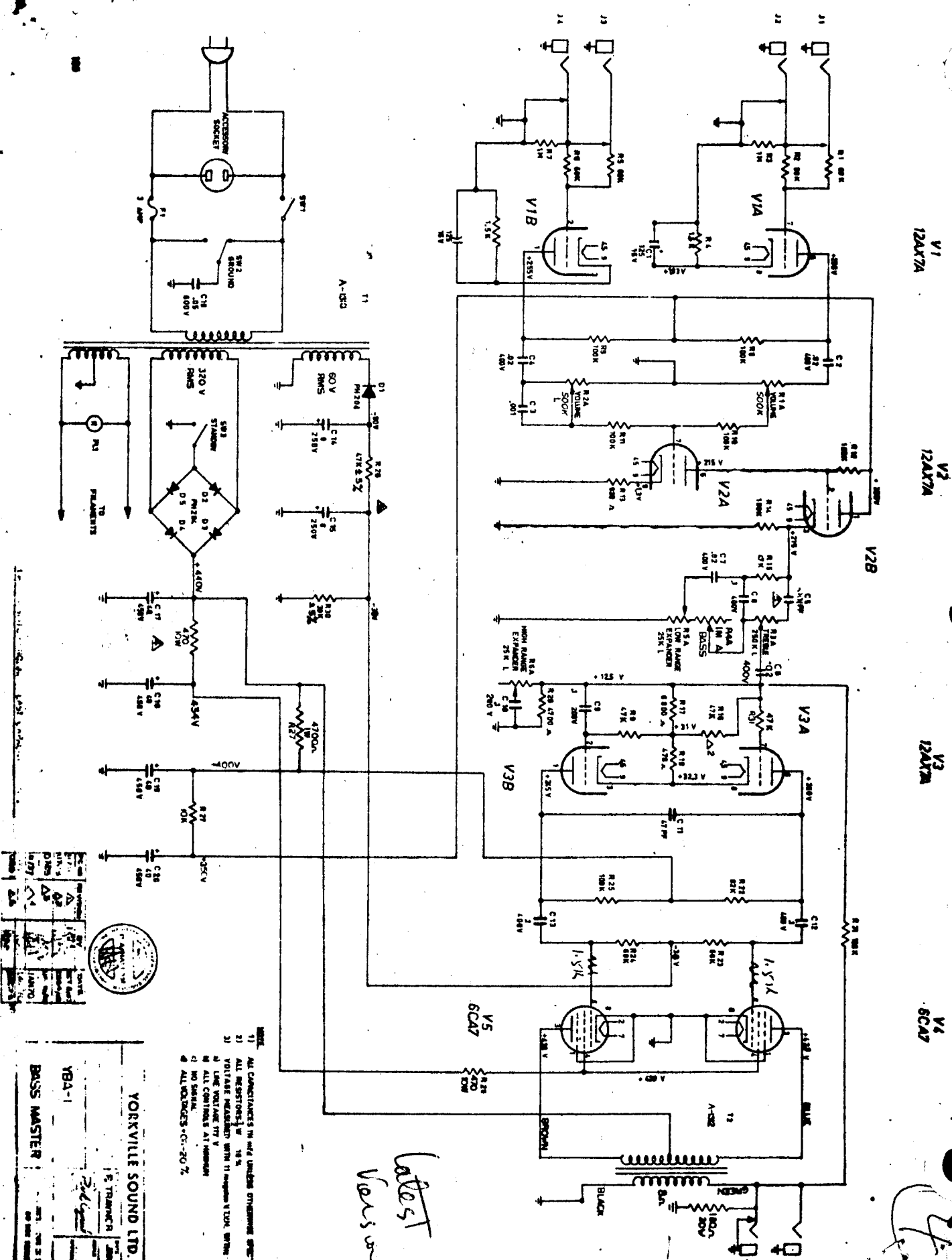
V4  
6CA7



- NOTE:
- 1) ALL CAPACITANCES IN OHMS UNLESS OTHERWISE SPEC'D
  - 2) ALL RESISTORS IN OHMS UNLESS OTHERWISE SPEC'D
  - 3) RESISTORS IN PARALLEL WITH THE INDICATED VALUE
  - 4) ALL COMPONENTS AT ROOM TEMP.
  - 5) ALL COMPONENTS AT ROOM TEMP.
  - 6) ALL COMPONENTS AT ROOM TEMP.

**YORKVILLE SOUND LTD.**  
 21 TRAVANCA  
 JAM 1/6/67  
 BASS MASTER

3



V1  
12AX7A

V2  
12AX7A

V3  
12AX7A

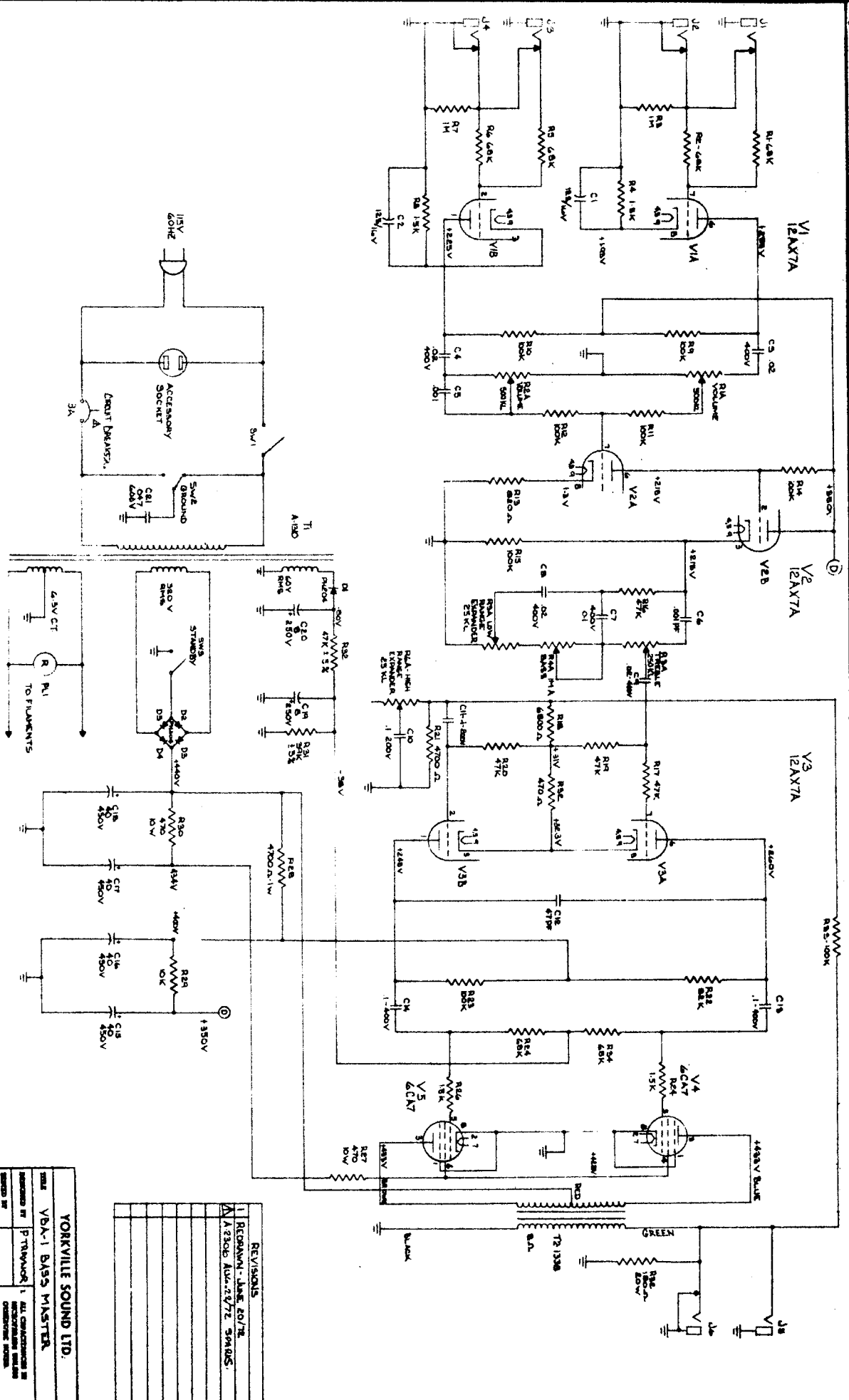
V4  
6CA7

**YORKVILLE SOUND LTD.**  
 5, TRENCHER  
 TORONTO, CANADA  
 1960

**YBA-1**  
**BASS MASTER**

- NOTE:**
- 1) ALL CAPACITANCES IN WFD UNLESS OTHERWISE SPEC'D
  - 2) ALL RESISTORS W/ 1% TOL
  - 3) VOLTAGE INDICATED WITH 11 NEGATIVE TYPICAL WITH
  - 4) LINE VOLTAGE 117 V
  - 5) ALL COMPONENTS AT MINIMUM
  - 6) NO SERIAL
  - 7) ALL DIMENSIONS - C1-20%

LATEST  
Version



LAST RESISTOR - R34

LAST CAPACITOR - C21

REVISIONS	
1	REWORK - LINE 60/78
2	A330C (W-27/72) 5/8/05

**YORKVILLE SOUND LTD.**

TYPE: VBA-1 BASS MASTER

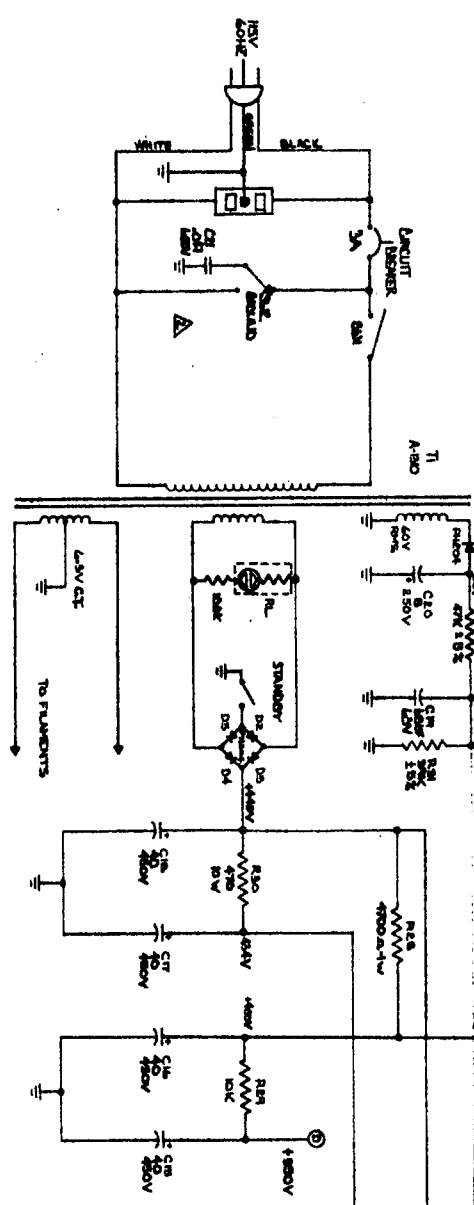
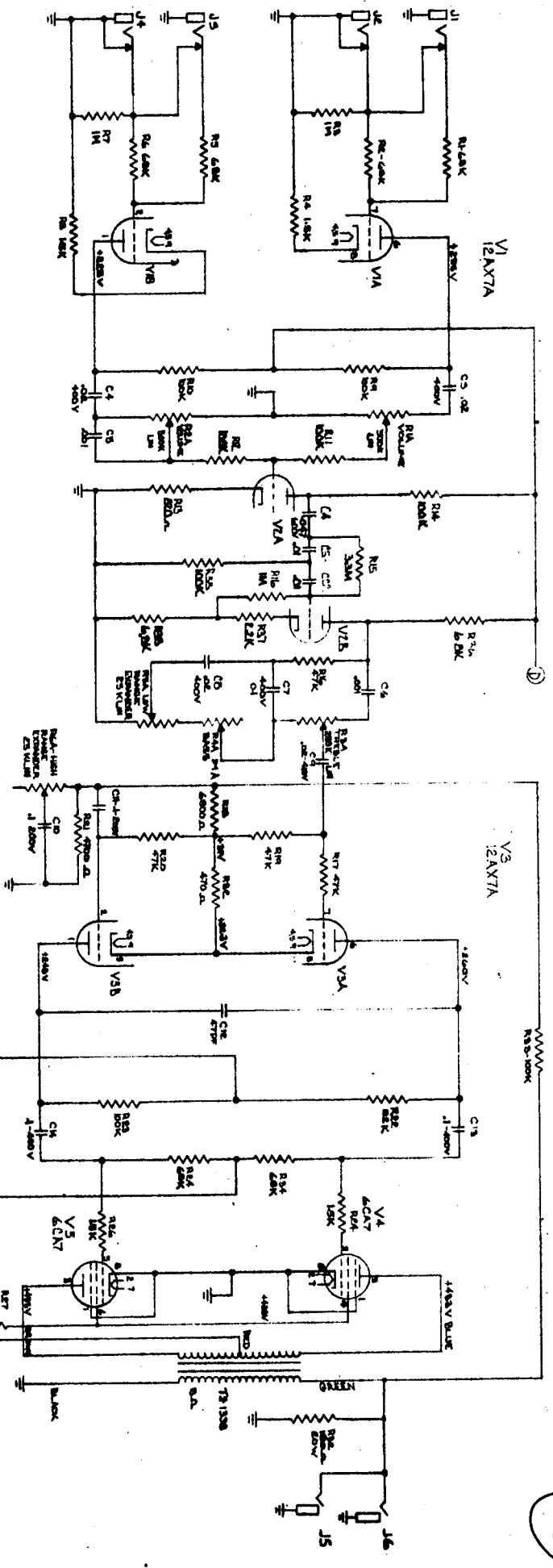
DESIGNED BY: P. TRIVANOR

DESIGNED BY: B. SPARKS

ALL COMPONENTS TO BE USED IN THIS CIRCUIT MUST BE OF THE QUALITY SPECIFIED IN THE PART LIST. THE MANUFACTURER'S PART NUMBER MUST BE USED. THE MANUFACTURER'S PART NUMBER MUST BE USED. THE MANUFACTURER'S PART NUMBER MUST BE USED.

11/4/77





LAST RESISTOR-R39 LAST CAPACITOR-C22

YORKVILLE SOUND LTD.	
YORK 1	
1. REVISIONS	DATE
1. REVISION - JUNE 20/78	28/78
2. A-5045 100V/17.5 SPARKS	
3. A-5045 100V/17.5 SPARKS	
4. A-5045 100V/17.5 SPARKS	
5. A-5045 100V/17.5 SPARKS	
6. A-5045 100V/17.5 SPARKS	
7. A-5045 100V/17.5 SPARKS	
8. A-5045 100V/17.5 SPARKS	
9. A-5045 100V/17.5 SPARKS	
10. A-5045 100V/17.5 SPARKS	
11. A-5045 100V/17.5 SPARKS	
12. A-5045 100V/17.5 SPARKS	
13. A-5045 100V/17.5 SPARKS	
14. A-5045 100V/17.5 SPARKS	
15. A-5045 100V/17.5 SPARKS	
16. A-5045 100V/17.5 SPARKS	
17. A-5045 100V/17.5 SPARKS	
18. A-5045 100V/17.5 SPARKS	
19. A-5045 100V/17.5 SPARKS	
20. A-5045 100V/17.5 SPARKS	
21. A-5045 100V/17.5 SPARKS	
22. A-5045 100V/17.5 SPARKS	
23. A-5045 100V/17.5 SPARKS	
24. A-5045 100V/17.5 SPARKS	
25. A-5045 100V/17.5 SPARKS	
26. A-5045 100V/17.5 SPARKS	
27. A-5045 100V/17.5 SPARKS	
28. A-5045 100V/17.5 SPARKS	
29. A-5045 100V/17.5 SPARKS	
30. A-5045 100V/17.5 SPARKS	
31. A-5045 100V/17.5 SPARKS	
32. A-5045 100V/17.5 SPARKS	
33. A-5045 100V/17.5 SPARKS	
34. A-5045 100V/17.5 SPARKS	
35. A-5045 100V/17.5 SPARKS	
36. A-5045 100V/17.5 SPARKS	
37. A-5045 100V/17.5 SPARKS	
38. A-5045 100V/17.5 SPARKS	
39. A-5045 100V/17.5 SPARKS	
40. A-5045 100V/17.5 SPARKS	
41. A-5045 100V/17.5 SPARKS	
42. A-5045 100V/17.5 SPARKS	
43. A-5045 100V/17.5 SPARKS	
44. A-5045 100V/17.5 SPARKS	
45. A-5045 100V/17.5 SPARKS	
46. A-5045 100V/17.5 SPARKS	
47. A-5045 100V/17.5 SPARKS	
48. A-5045 100V/17.5 SPARKS	
49. A-5045 100V/17.5 SPARKS	
50. A-5045 100V/17.5 SPARKS	
51. A-5045 100V/17.5 SPARKS	
52. A-5045 100V/17.5 SPARKS	
53. A-5045 100V/17.5 SPARKS	
54. A-5045 100V/17.5 SPARKS	
55. A-5045 100V/17.5 SPARKS	
56. A-5045 100V/17.5 SPARKS	
57. A-5045 100V/17.5 SPARKS	
58. A-5045 100V/17.5 SPARKS	
59. A-5045 100V/17.5 SPARKS	
60. A-5045 100V/17.5 SPARKS	
61. A-5045 100V/17.5 SPARKS	
62. A-5045 100V/17.5 SPARKS	
63. A-5045 100V/17.5 SPARKS	
64. A-5045 100V/17.5 SPARKS	
65. A-5045 100V/17.5 SPARKS	
66. A-5045 100V/17.5 SPARKS	
67. A-5045 100V/17.5 SPARKS	
68. A-5045 100V/17.5 SPARKS	
69. A-5045 100V/17.5 SPARKS	
70. A-5045 100V/17.5 SPARKS	
71. A-5045 100V/17.5 SPARKS	
72. A-5045 100V/17.5 SPARKS	
73. A-5045 100V/17.5 SPARKS	
74. A-5045 100V/17.5 SPARKS	
75. A-5045 100V/17.5 SPARKS	
76. A-5045 100V/17.5 SPARKS	
77. A-5045 100V/17.5 SPARKS	
78. A-5045 100V/17.5 SPARKS	
79. A-5045 100V/17.5 SPARKS	
80. A-5045 100V/17.5 SPARKS	
81. A-5045 100V/17.5 SPARKS	
82. A-5045 100V/17.5 SPARKS	
83. A-5045 100V/17.5 SPARKS	
84. A-5045 100V/17.5 SPARKS	
85. A-5045 100V/17.5 SPARKS	
86. A-5045 100V/17.5 SPARKS	
87. A-5045 100V/17.5 SPARKS	
88. A-5045 100V/17.5 SPARKS	
89. A-5045 100V/17.5 SPARKS	
90. A-5045 100V/17.5 SPARKS	
91. A-5045 100V/17.5 SPARKS	
92. A-5045 100V/17.5 SPARKS	
93. A-5045 100V/17.5 SPARKS	
94. A-5045 100V/17.5 SPARKS	
95. A-5045 100V/17.5 SPARKS	
96. A-5045 100V/17.5 SPARKS	
97. A-5045 100V/17.5 SPARKS	
98. A-5045 100V/17.5 SPARKS	
99. A-5045 100V/17.5 SPARKS	
100. A-5045 100V/17.5 SPARKS	

5