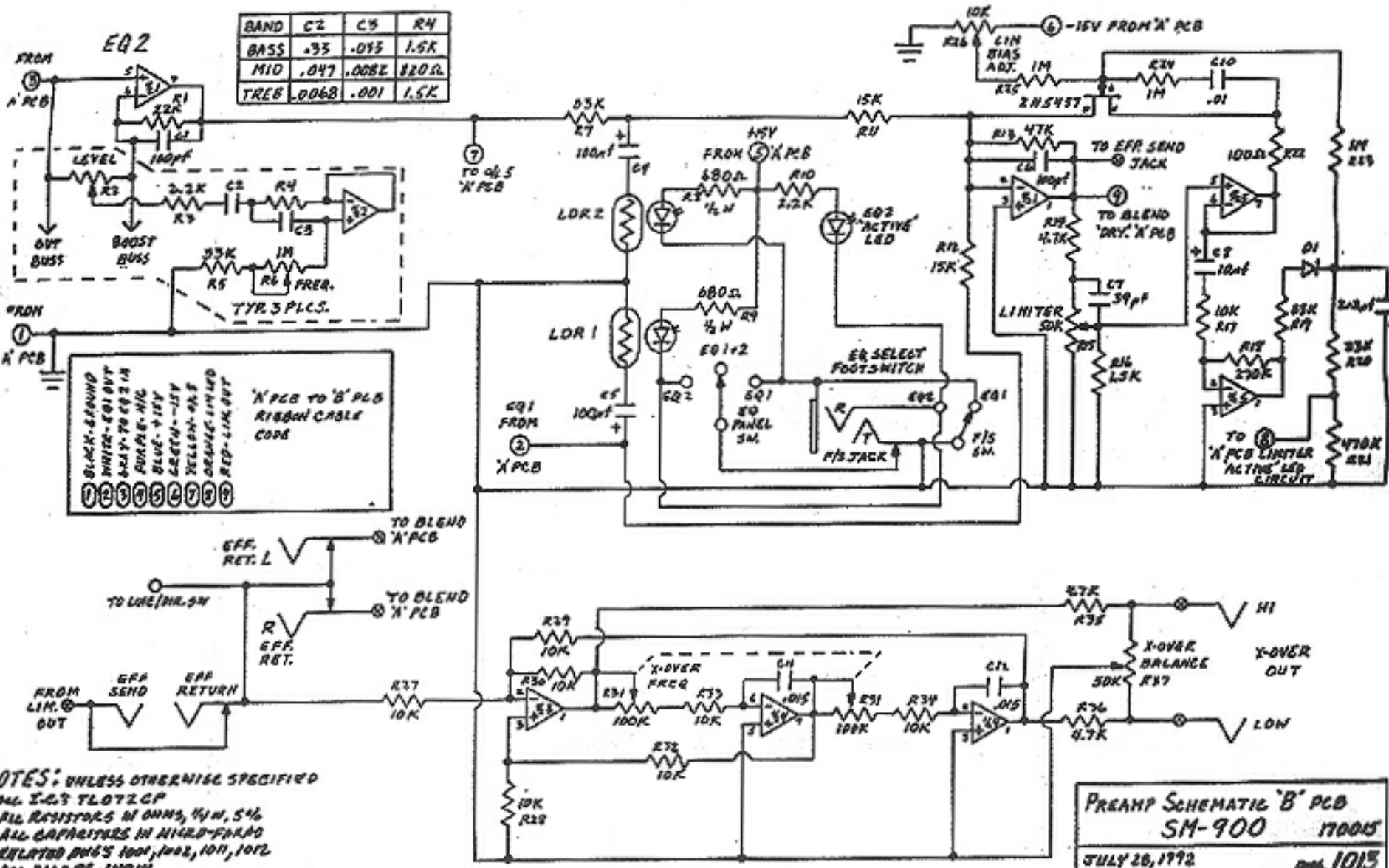


EQ1 VALUES

BAND	C'A'	C'B'	R'A'
BASS	.33	.033	1.5K
MID	.047	.0047	620Ω
TREB	.0068	.001	1.5K

NOTES: UNLESS SPECIFIED OTHERWISE,
 1. RELATED DMM'S - 1001, 1002, 1011, 1013
 2. ALL I.C.'S TLO72 C.P.
 3. ALL RESISTORS 1/4W, 5%, IN OHMS.
 4. ALL CAPS IN MICRO-FARAD.
 5. ALL DIODES IN 914.
 6. (X) INDICATES A TO D PCB CHANG.
 7. (O) INDICATES PCB TO CROSSIS CHANG.
 8. R30, C15, C16, C17

**PREAMP SCHEMATIC 'A' PCB
 SM-900 170014**
 JULY 24, 1992
 DES. + DMM BY: S. W. FROE DMM# 1012
 SNR ENG., INC. 818-878-3336

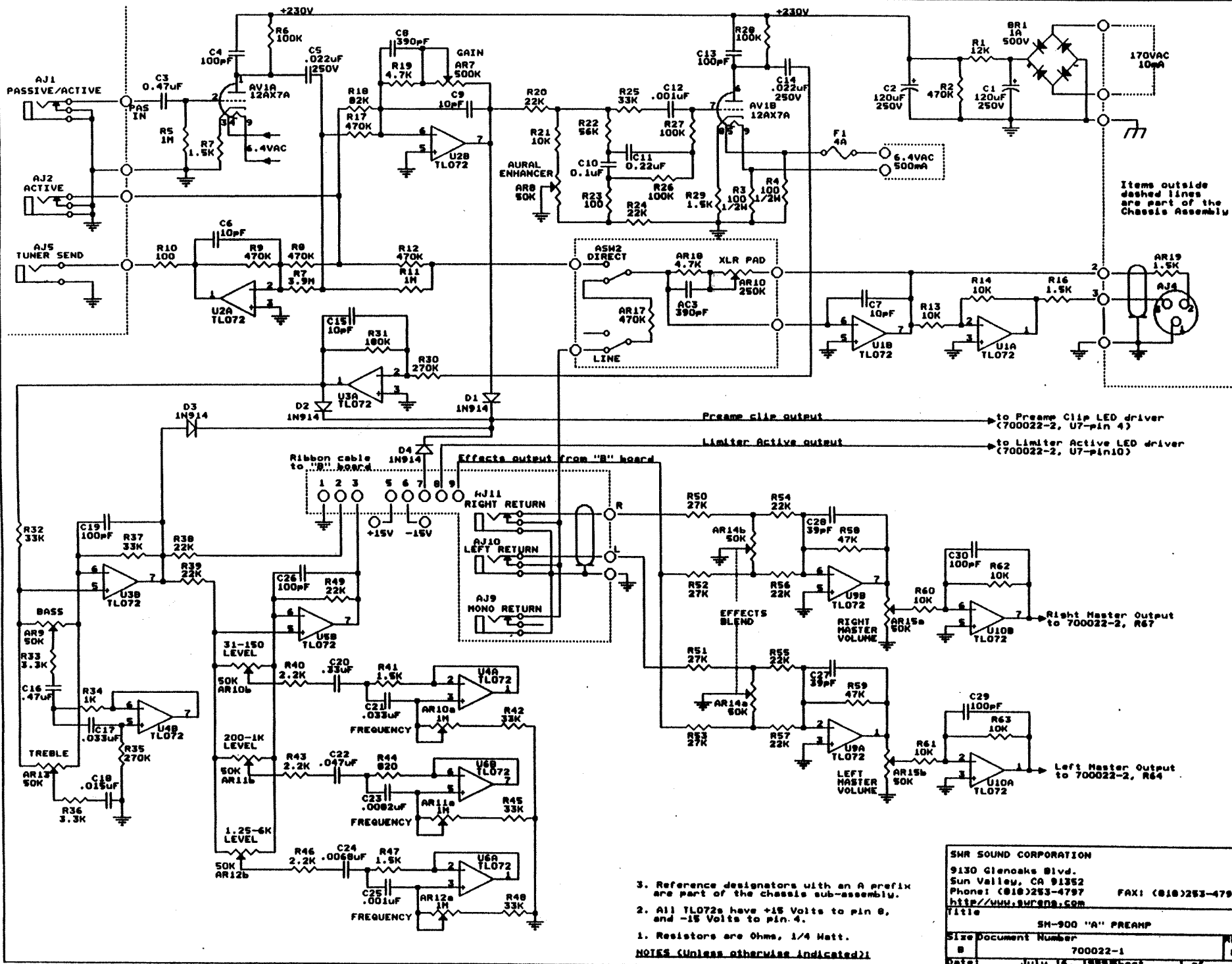


BAND	C2	C3	R4
BASS	.035	.035	1.5K
MID	.047	.005Z	820Ω
TREB	.0068	.001	1.5K

- 'X' PCB TO 'B' PCB RIBBON CABLE CODE
- 1 BLACK-GROUND
 - 2 WHITE-EQ1 OUT
 - 3 BLACK-TO EQ2 IN
 - 4 PURPLE-MIC
 - 5 BLUE-+15V
 - 6 GREEN-+15V
 - 7 YELLOW-+5V
 - 8 ORANGE-LIM OUT
 - 9 RED-LIM OUT

NOTES: UNLESS OTHERWISE SPECIFIED
 1. ALL I.C.'S TLO72CP
 2. ALL RESISTORS IN OHMS, 1/4W, 5%
 3. ALL CAPACITORS IN MICRO-FARAD
 4. RELATED PARTS 1001, 1002, 1011, 1012
 5. ALL DIODES 1N914
 6. ⊕ INDICATES PCB TO CHASSIS CONNECTION
 7. ⊙ INDICATES 'X' TO 'B' PCB CONNECTION
 8. 25-57, C4-12, D-1

PREAMP SCHEMATIC 'B' PCB
SM-900 170015
 JULY 28, 1972 Dwg. 1013
 DESIGNED & DRAWN BY: S.W. RABB
 SNE EMB, INC.

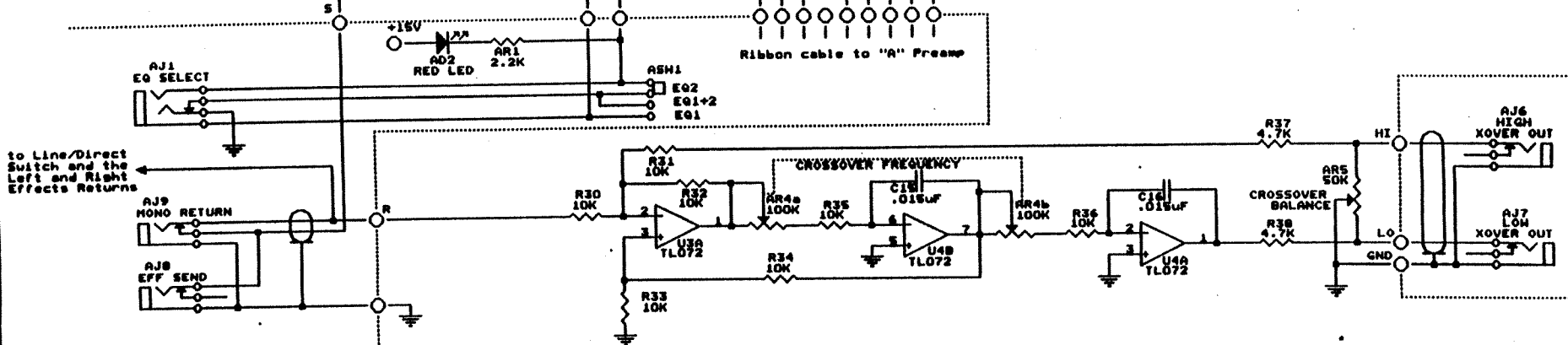
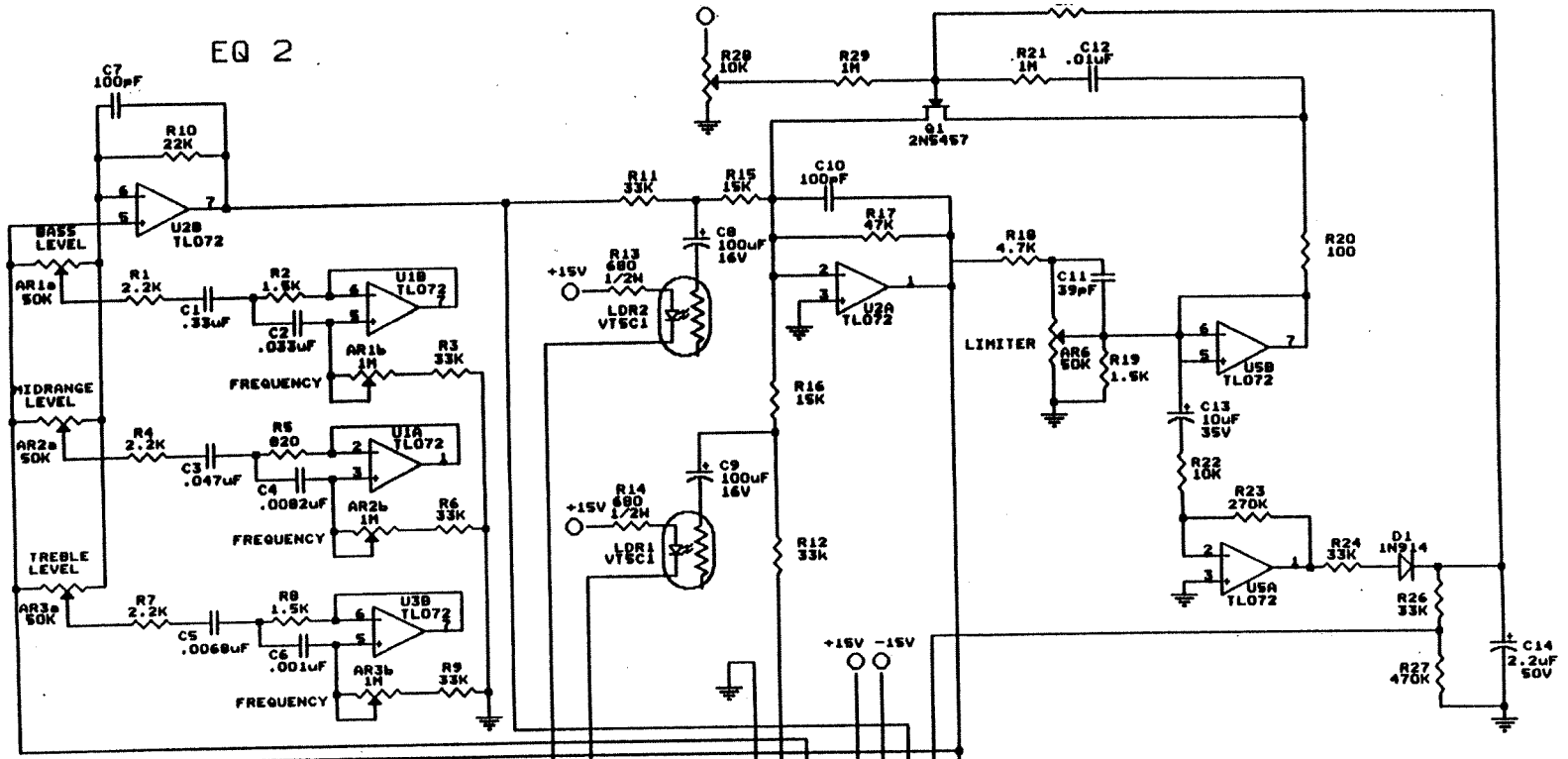


Items outside dashed lines are part of the Chassis Assembly

3. Reference designators with an A prefix are part of the chassis sub-assembly.
 2. All TL072s have +15 Volts to pin 8, and -15 Volts to pin 4.
 1. Resistors are Ohms, 1/4 Watt.
- NOTES (Unless otherwise indicated)

SHR SOUND CORPORATION		
9130 Glenoaks Blvd.		
Sun Valley, CA 91352		
Phone: (818)253-4797		FAX: (818)253-4799
http://www.shr.com		
Title		
SH-900 "A" PREAMP		
Size	Document Number	REV
B	700022-1	2
Date:	July 16, 1999	1 of 2

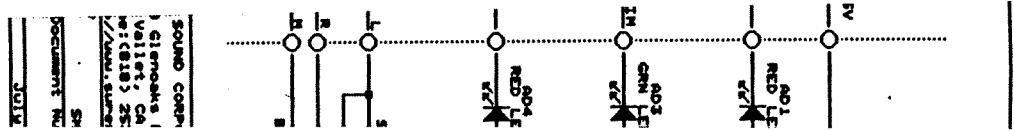
EQ 2

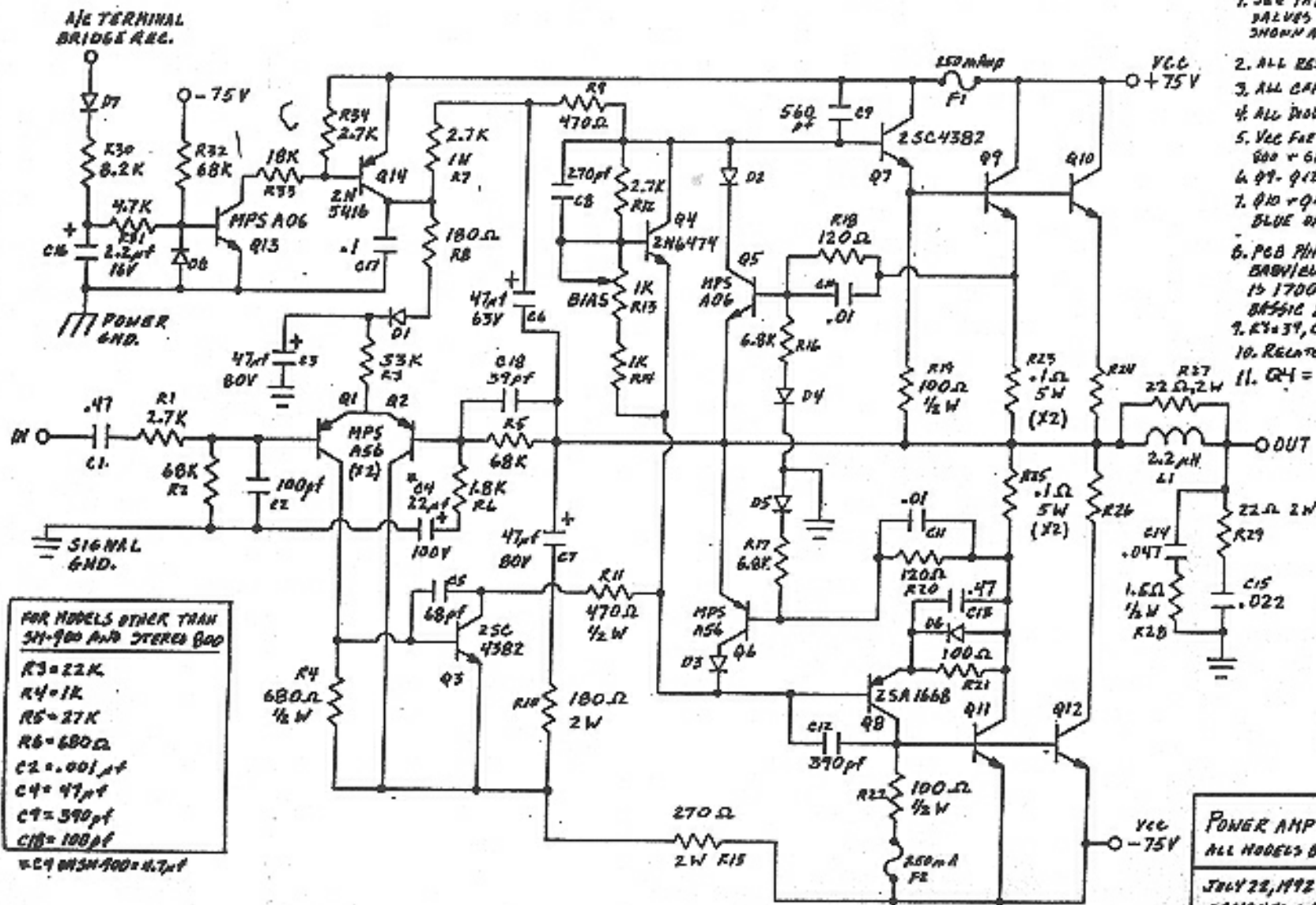


Items outside dashed lines are part of the Chassis Assembly

SHR SOUND CORPORATION
 9130 Glenoaks Blvd.
 Sun Valley, CA 91352
 PHONE: (818) 253-4797 FAX: (818) 253-4799
<http://www.shrsound.com>

Title		SH-900 "B" PREAMP	
Size	Document Number	REV	B
B	700023		
Date:	July 19, 1999	Sheet	1 of 1





FOR MODELS OTHER THAN
SM-900 AND STEREO 800

R3 = 22K
R4 = 1K
R5 = 27K
R6 = 680Ω
C2 = .001μf
C4 = 47μf
C9 = 390μf
C18 = 100μf
C9 ON SM-900 = 47μf

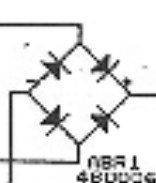
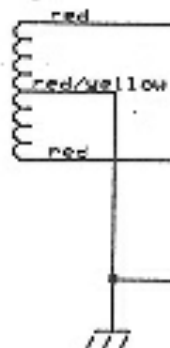
- NOTES: UNLESS OTHERWISE SPECIFIED:
1. SEE TABLE FOR ALTERNATE R+C VALUES FOR OTHER MODELS. VALUES SHOWN ARE FOR STEREO 800, SM-900.
 2. ALL RESISTORS IN OHMS, 4W, 5%.
 3. ALL CAPACITORS IN MICRO-FARAD.
 4. ALL DIODES IN 400V.
 5. VCC FOR MODELS OTHER THAN STEREO 800 + SM-900 = ± 60VDC.
 6. Q7-Q12 = 2SC 3264 (BANKED ONLY).
 7. Q10 + Q12 NOT ON BODY/ELECTRIC BLUE OR BASSIC BLACK.
 8. PCB FIN FOR ALL MODELS EXCEPT BROWN/ELECTRIC BLUE + BASSIC BLACK IS 170010. BODY BLUE - 170008. BASSIC BLACK - 170013.
 9. R3+39, C5+18, C7+7, Q4+14, L1+1, F2+2
 10. RELATED TUNING 1002, 1003
 11. Q4 = 2SC 3834 after 1/25/98

POWER AMP SCHEMATIC 1011
ALL MODELS BUILT AFTER JUNE, 1992

JULY 22, 1992
DESIGNED + OWN. BY: S. H. RADC
SWR ENG., INC. 80-FR-3336

Transformer
Secondary

AXF1



C1
6800UF
50V

C2
6800UF
50V

C3
6800UF
50V

C4
6800UF
50V

R1
1.1K
5W

R2
1.1K
5W

R3
1.1K
5W

R4
1.1K
5W

D1
1N4004

D2
1N4737A

D3
1N4737A

D4
1N4737A

D5
1N4737A

D6
1N4004

+75 VOLTS

+15 VOLTS

-15 VOLTS

-75 VOLTS

SHR SOUND CORPORATION-

9130 Glendoka Blvd.

Sun Valley, CA 91352

PHONE:(010) 253-4797

FAX:(010) 253-4799

<http://www.surehq.com>

Title

Power Supply Filter Board - SM-300

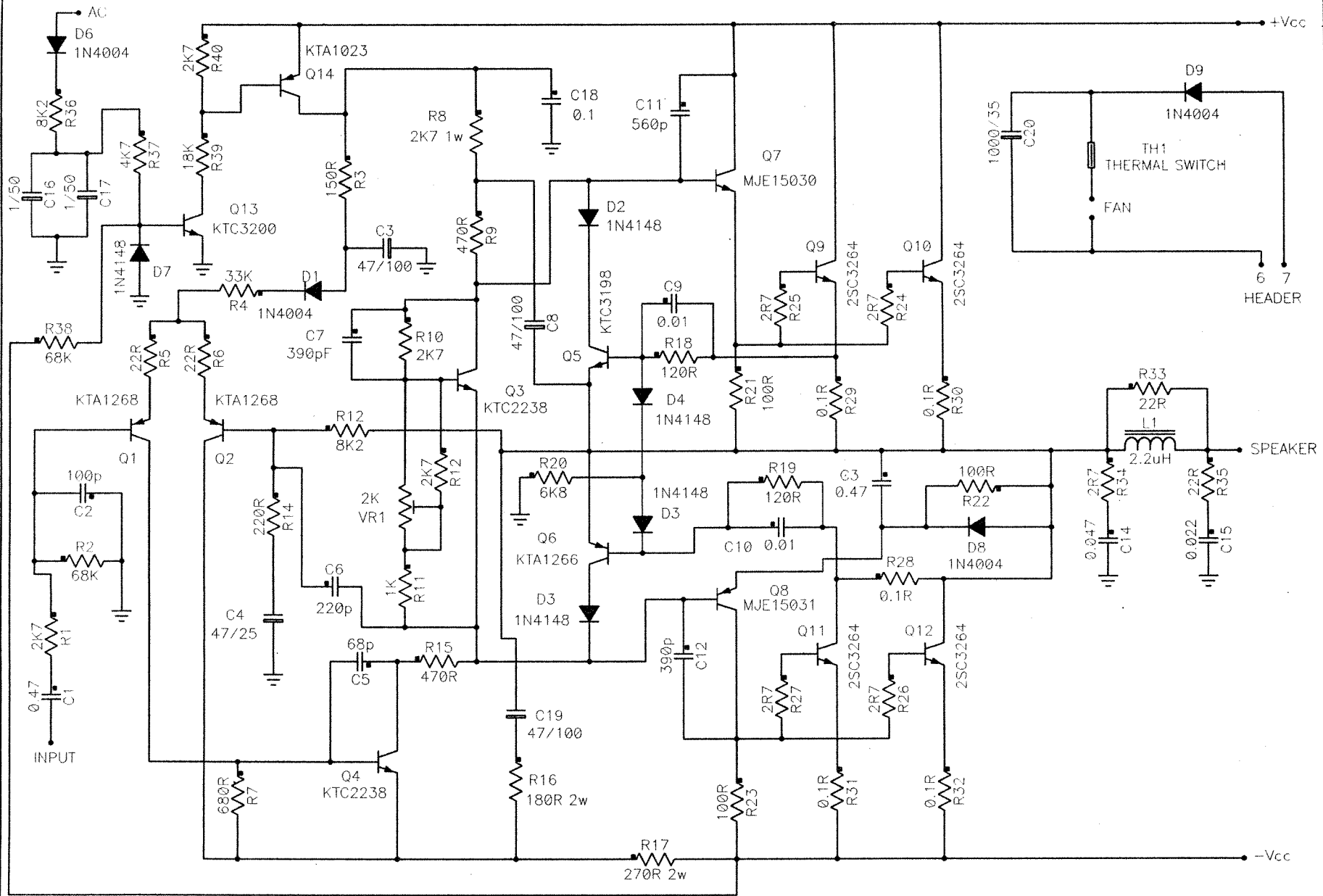
Size Document Number

A 700024

REV

A

Date: July 1, 1995 Sheet 1 of 1



USED FOR PART # 700001-RH

Power Amp Module

TITLE	FILENAME SWR1-3.S01
DRAWN BY S.MANTZ	DATE 9/16/99 → REV B/C

Bass 350, Silverado, Workingman's 4004, Super Redhead
 Left side: SM-900, SM-500, ST-800

Blue Boards only!

Quan	Type	Value	Ref Designators
1	EC	47/25	C4
1	FUSE	THERMAL	TH1
4	NPN	2SC3264	Q10,Q11,Q12,Q9
1	NPN	KTC3200	Q13
2	NPN	KTC2238	Q3,Q4
1	NPN	KTC3198	Q5
1	NPN	MJE15030	Q7
2	PNP	KTA1268	Q1,Q2
1	PNP	KTA1023	Q14
1	PNP	KTA1266	Q6
1	PNP	MJE15031	Q8
4	R	2K7	R1,R10,R40,R8
1	R	1K	R11
1	R	2K7	R12
1	R	220R	R14
2	R	470R	R15,R9
1	R	180R	R16

Quan	Type	Value	Ref Designators
1	R	270R	R17
2	R	120R	R18,R19
2	R	68K	R2,R38
1	R	6K8	R20
3	R	100R	R21,R22,R23
5	R	2R7	R24,R25,R26,R27,R34
5	R	0.1R	R28,R29,R30,R31,R32
1	R	150R	R3
4	R	22R	R33,R35,R5,R6
1	R	8K2	R36
1	R	4K7	R37
1	R	18K	R39
1	R	33K	R4
1	R	680R	R7
1	TRIM	2K	VR1

Total Parts: 84

700001 - RH

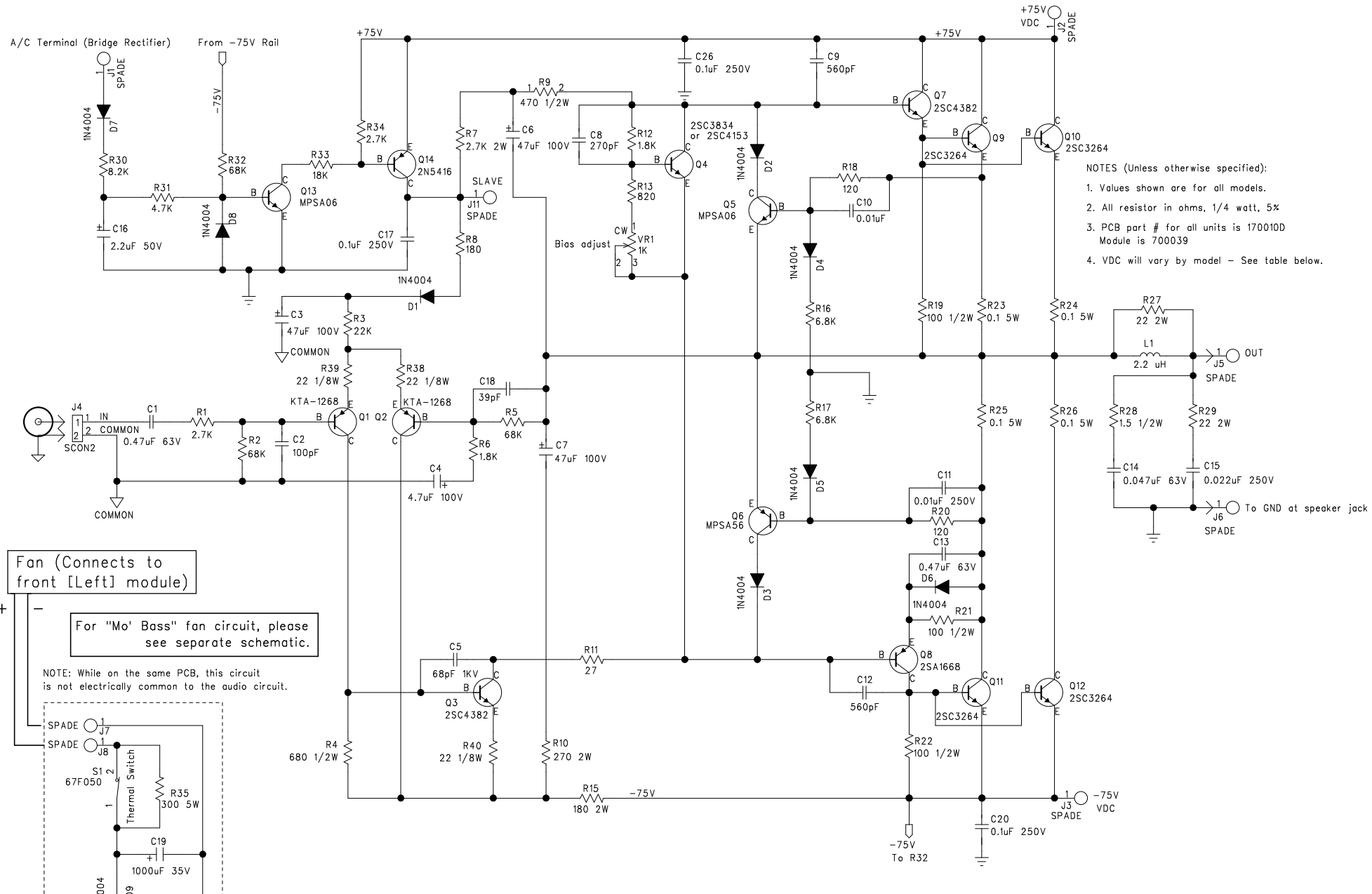
Quan	Type	Value	Ref Designators
2	C	0.47	C1,C3
2	C	0.01	C10,C9
1	C	560p	C11
1	C	390p	C12
1	C	0.047	C14

1	C	0.022	C15
1	C	0.1	C18
1	C	100p	C2
1	C	68p	C5
1	C	220p	C6
1	C	390pF	C7
1	COIL	2.2uH	L1
4	D	1N4004	D1,D6,D8,D9
4	D	1N4148	D2,D3,D4,D7
2	EC	1/50	C16,C17
3	EC	47/100	C19,C3,C8
1	EC	1000/35	C20

03-Nov-99 15:57

Page 1

700001- RH

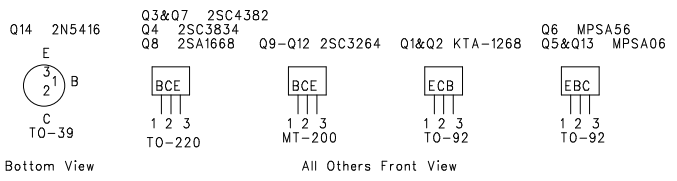
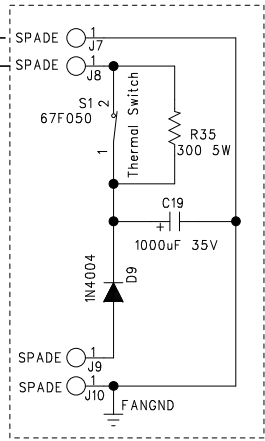


- NOTES (Unless otherwise specified):
1. Values shown are for all models.
 2. All resistor in ohms, 1/4 watt, 5%
 3. PCB part # for all units is 170010D
Module is 700039
 4. VDC will vary by model - See table below.

Fan (Connects to front [Left] module)

For "Mo' Bass" fan circuit, please see separate schematic.

NOTE: While on the same PCB, this circuit is not electrically common to the audio circuit.



VDC Table

Model	+ VDC	- VDC
SM-900	78	78
Mo' Bass	78	78
SM-500	59	59
Bass 350/350x	77	77
Super Redhead	77	77
Silverado	77	77
Black Beauty	77	77
WM4004	79	79

SWR Sound Corp.

SWR2000 - Power Amp Module