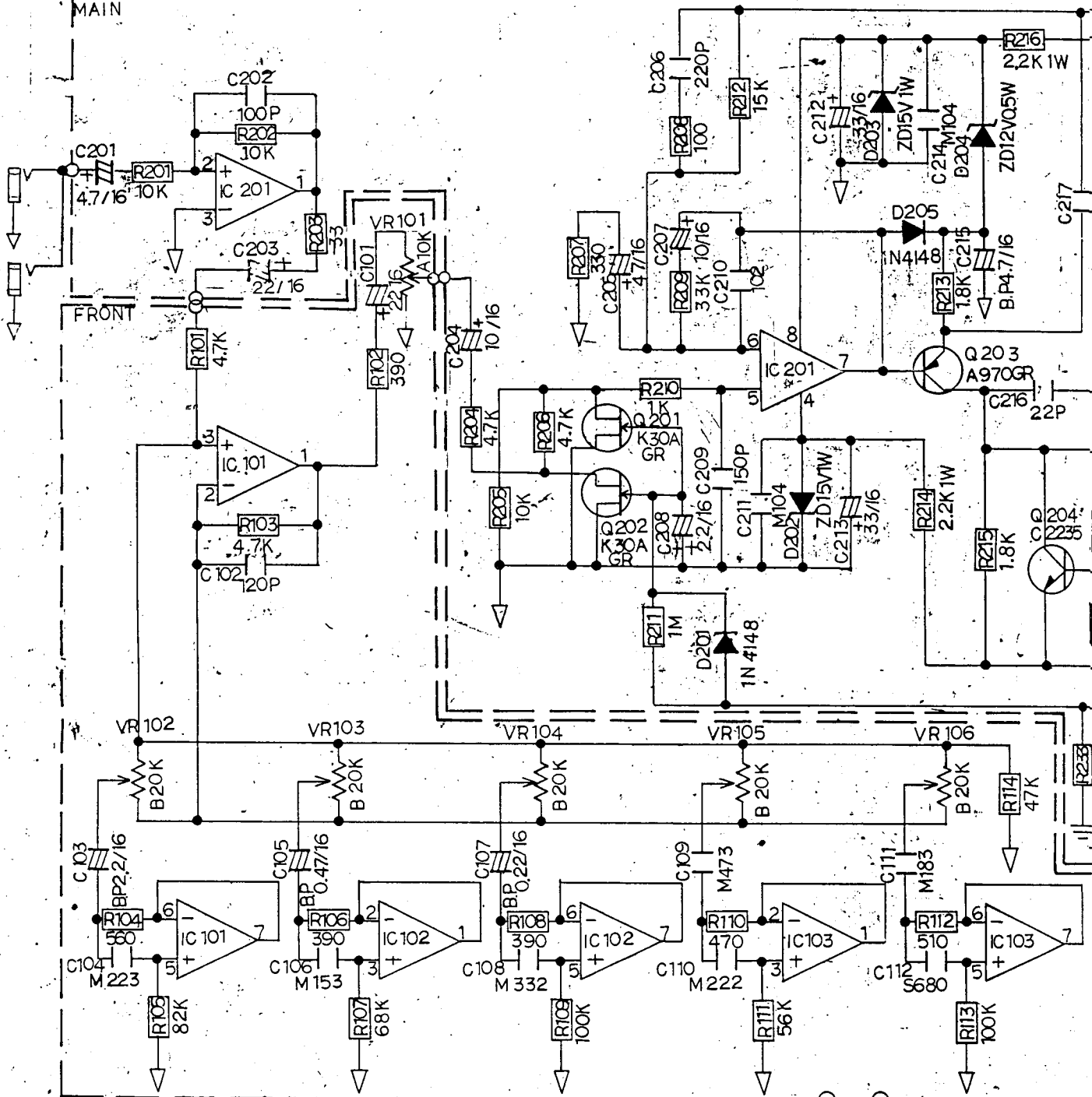
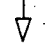
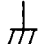




MAIN

FRONT



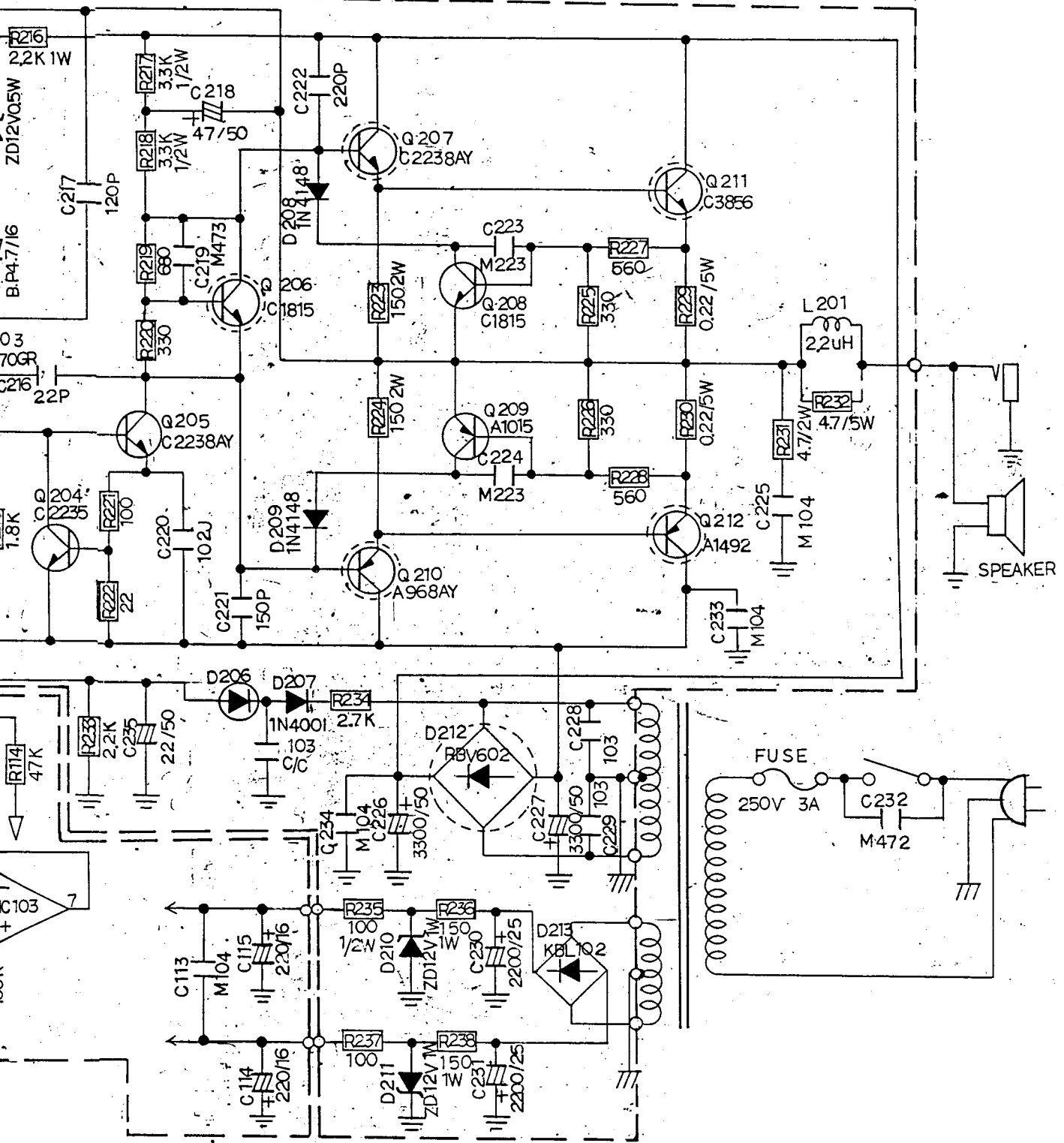
NOTE

-  INPUT GND ONLY
-  CHASSIS GND ONLY
-  POWER GND ONLY
-  ATTACHMENT FOR HEAT SINK

IC 18

Sound

Schematic Diagram



SoundTech
 Diagram MC100

P./NO.	NAME	Q'ty.	MATERIAL	FINISH	REMARKS
ZONES	REVISION	DATE	CHANGE	CH/APP.	DS.
Δ					DR.
Δ					CH.
Δ					APP.
Δ					RELEASE
NOTES			SCALE		
			G. TOL.		
					REF. NO.
					MODEL MC 100
					TITLE SCHEMATIC DIAGRAM
					DW. NO.