

# FENDER "SUPER-AMP" SCHEMATIC

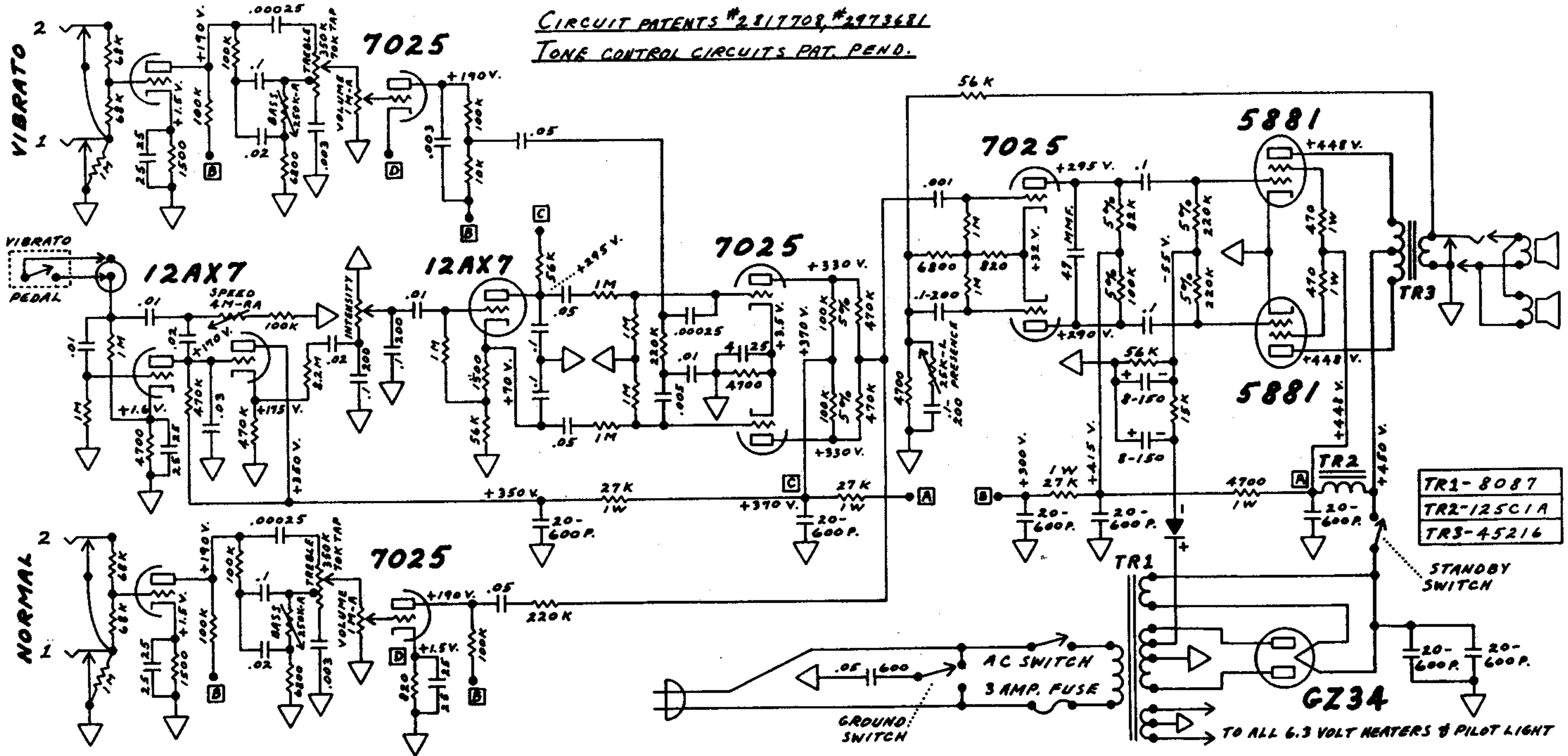
## MODEL 6G4-A

K-FJ

### NOTICE

- 1- VOLTAGES READ TO GROUND WITH ELECTRONIC VOLTMETER. VALUES SHOWN + OR - 20%
- 2- ALL RESISTORS 1/2 WATT, 10% TOLERANCE IF NOT SPECIFIED
- 3- ALL CAPACITORS AT LEAST 400 VOLT RATING IF NOT SPECIFIED

CIRCUIT PATENTS #2817708, #2973681  
TONE CONTROL CIRCUITS PAT. PEND.



TR1-8087
TR2-125C1A
TR3-45216

TO ALL 6.3 VOLT HEATERS & PILOT LIGHT

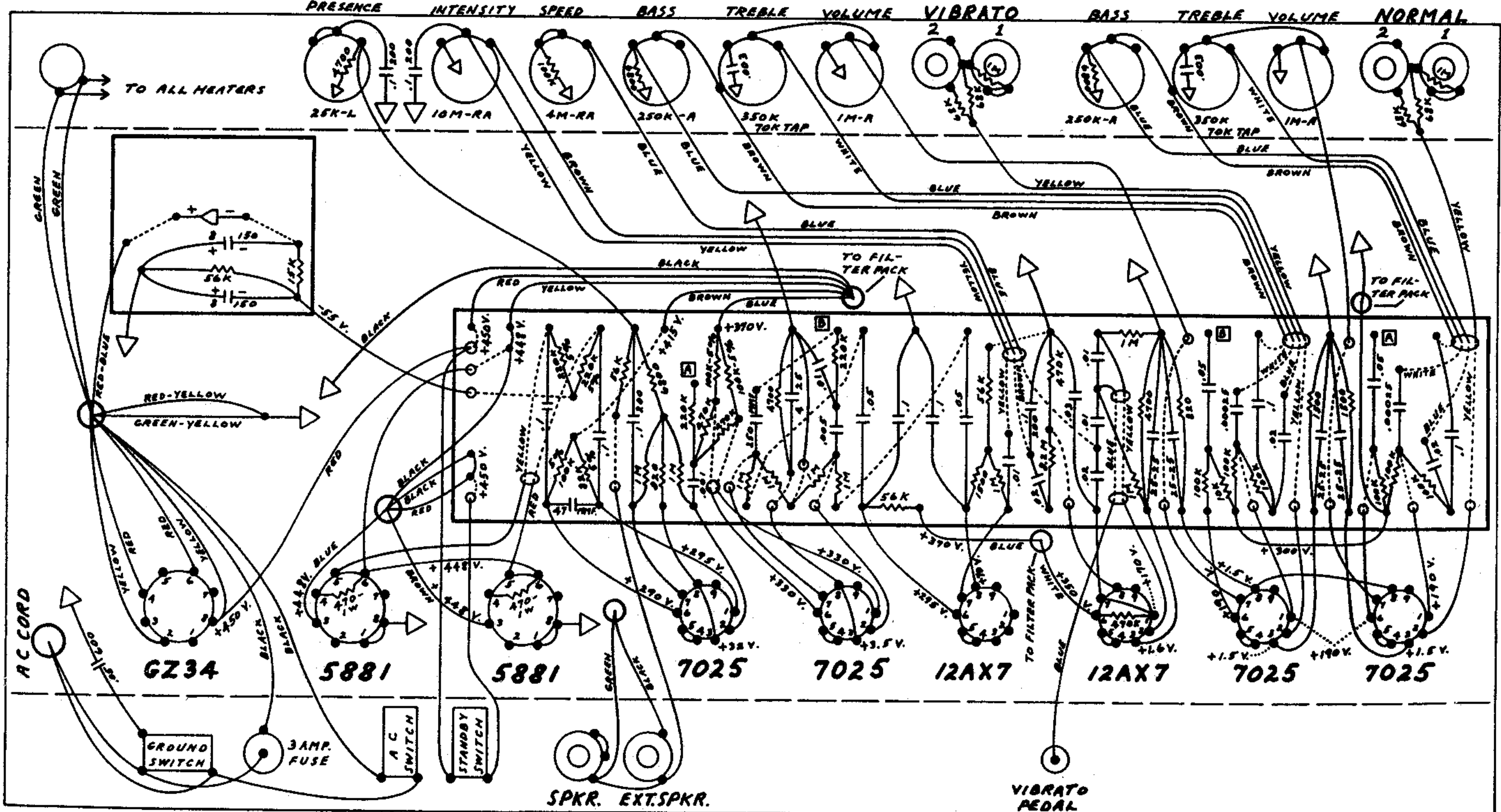
# FENDER "SUPER-AMP" LAYOUT

## MODEL 664-A

K-FJ

# NOTICE

VOLTAGES READ TO GROUND WITH ELECTRONIC VOLTMETER. VALUES SHOWN + OR - 20%



NOTE - ALL RESISTORS 1/2 WATT, 10% TOLERANCE, UNLESS SPECIFIED.

NOTE - ALL CAPACITORS AT LEAST 400 VOLT RATING UNLESS SPECIFIED