

NOTE:-
 C115, C141 & C142 NOT FITTED
 LK105, C130, C131, & C122 NOT FITTED

SAFETY CRITICAL COMPONENTS.
 COMPONENTS MUST BE REPLACED
 WITH THE SAME TYPE AND
 RATING ONLY.

ALL OTHER HOLES =		X = (THROUGH PLATED)	
2	1444	27-8-97	
1	1315	22/10/96	
ISS	ECO NUMBER	DATE	

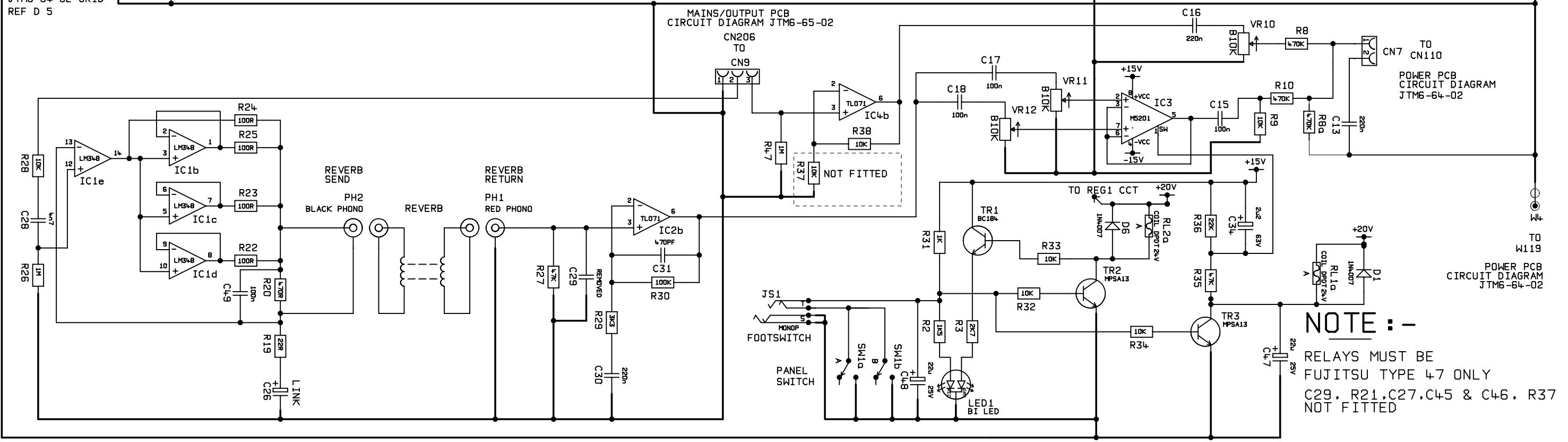
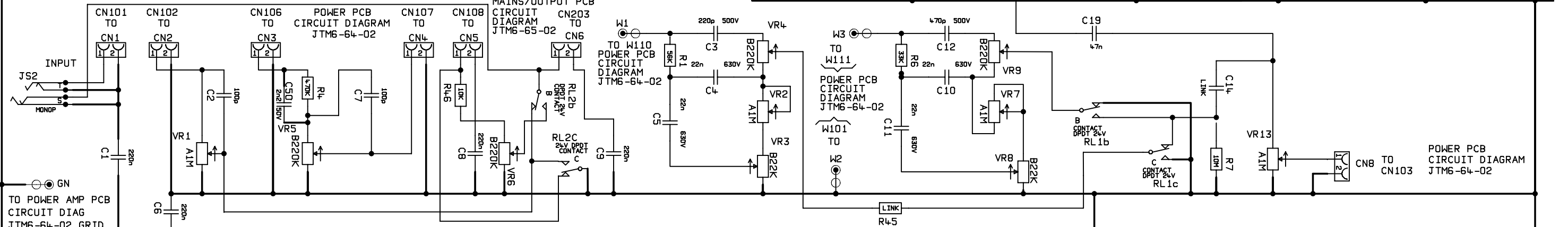
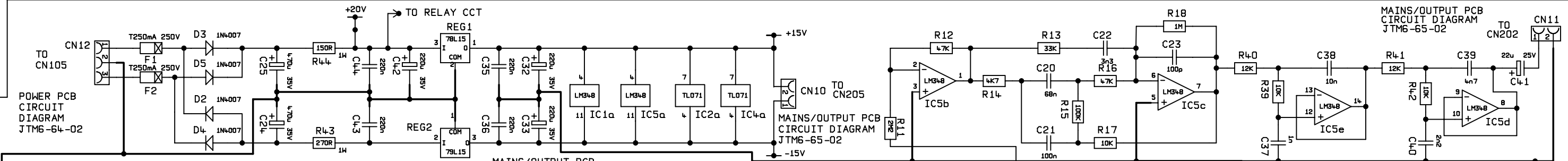
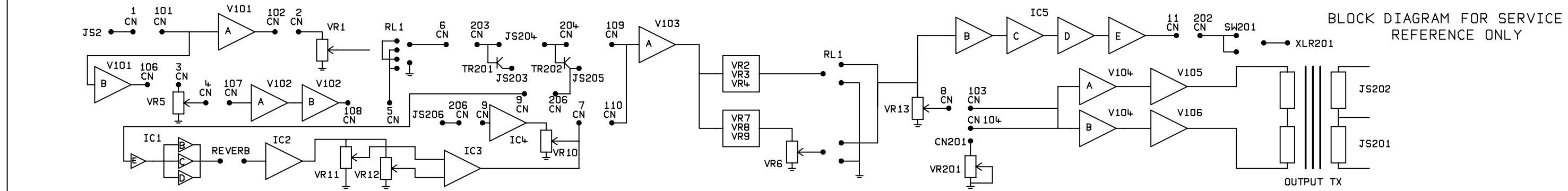
MATERIAL		DIMENSIONS IN	
MATERIAL THICKNESS		TOLERANCE (UNLESS OTHERWISE STATED)	
DRAWN RSB	DATE 04/05/95	MODEL	
CHECKED	DATE	JCM600	
APPROVED	DATE		

Marshall
 © JIM MARSHALL (PRODUCTS) LTD.
 DENBIGH ROAD, BLETCHLEY, MILTON KEYNES, MK1 1DB.
 TEL (0908)375411 FAX (0908)376118

TITLE		DWG.No	
POWER PCB CIRCUIT DIAGRAM		JCM6-61-02	
ISS		2	

JCM6-60-02
DWG.No.

BLOCK DIAGRAM FOR SERVICE REFERENCE ONLY



NOTE :-
RELAYS MUST BE FUJITSU TYPE 47 ONLY
C29, R21, C27, C45 & C46, R37 NOT FITTED

ALL OTHER HOLES =		X = (THROUGH PLATED)		MATERIAL		DIMENSIONS IN				TITLE PRE-AMP PCB CIRCUIT DIAGRAM	
2 1444		27-8-97		MATERIAL THICKNESS		TOLERANCE (UNLESS OTHERWISE STATED)				DWG.No JCM6-60-02	
1 1315		22/10/96		DRAWN RSB		DATE 04/05/95		MODEL JCM600		© JIM MARSHALL (PRODUCTS) LTD. DENBIGH ROAD, BLETCHLEY, MILTON KEYNES, MK1 1DQ. TEL (0908)375411 FAX (0908)376118	
ISS ECO NUMBER		DATE		CHECKED		DATE		APPROVED		DATE	