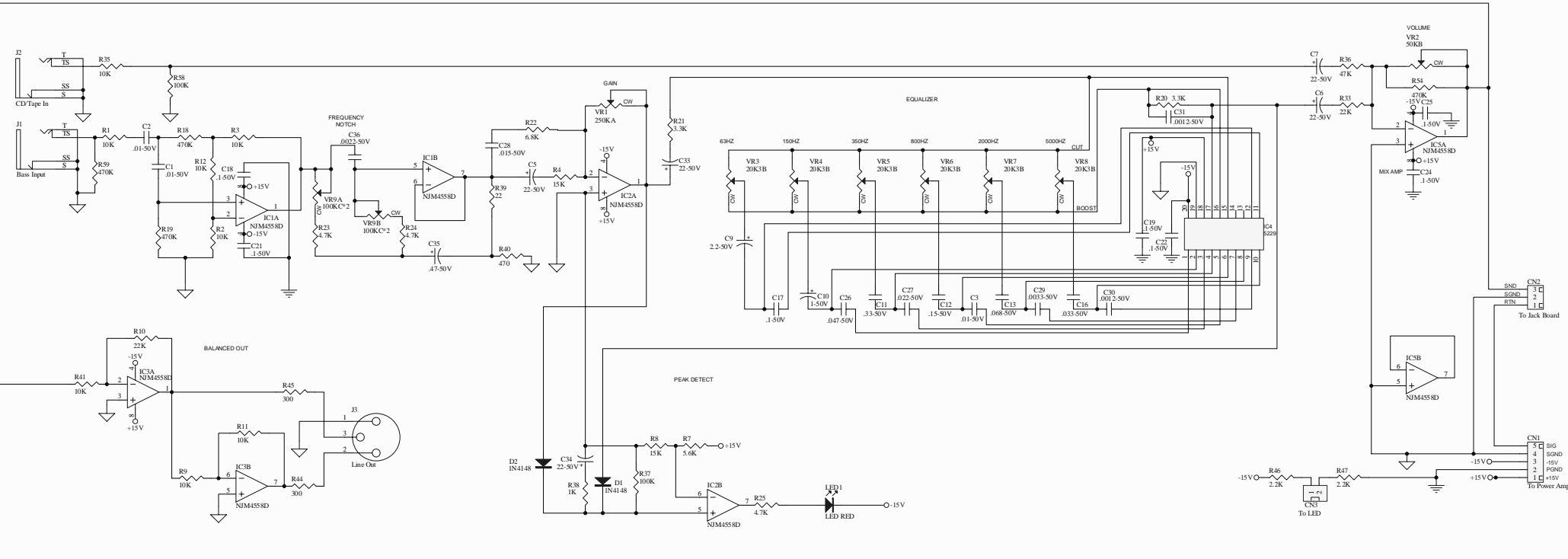


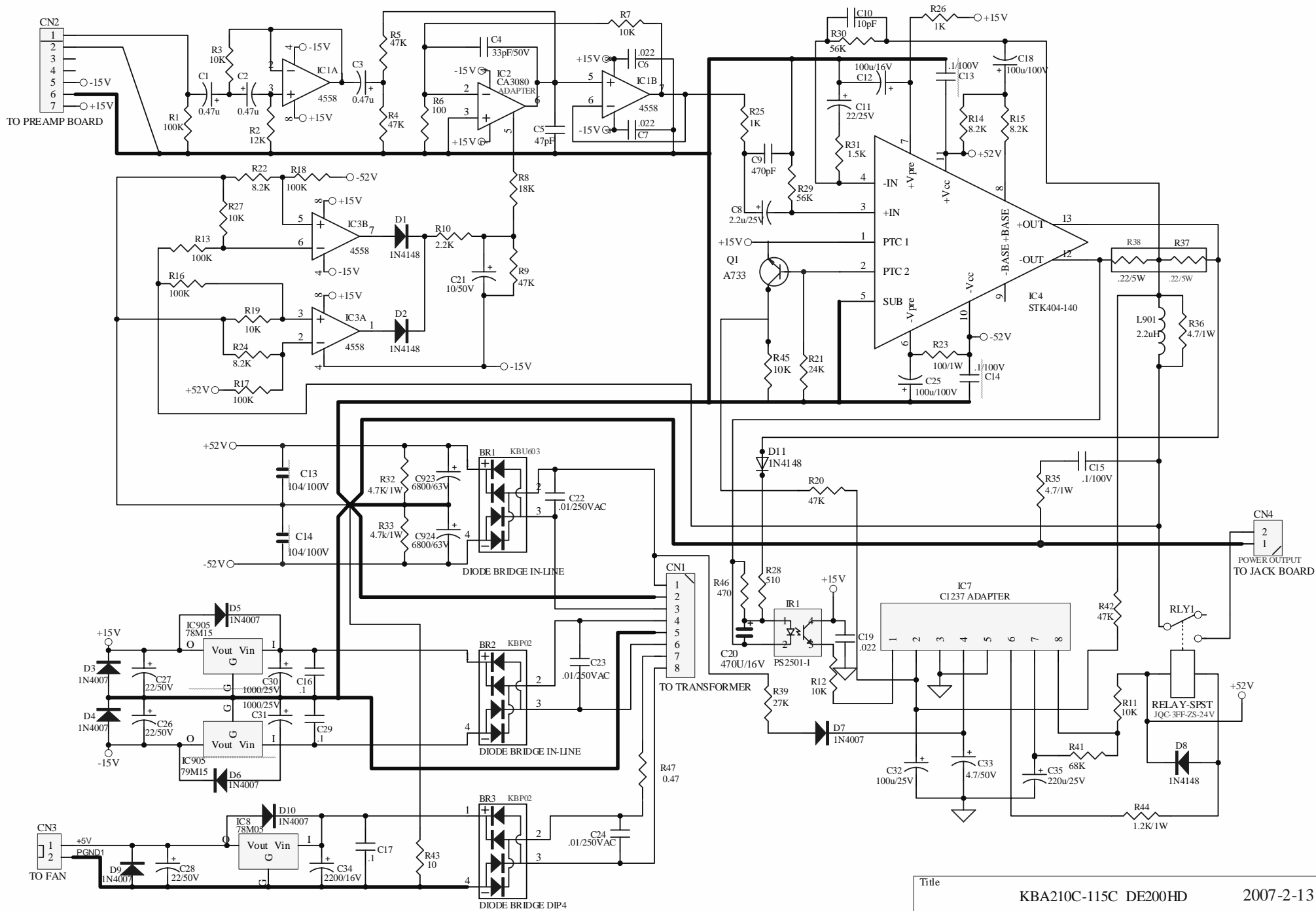
Deepend DE200HD

Schematic, PCB layouts, Bill of materials

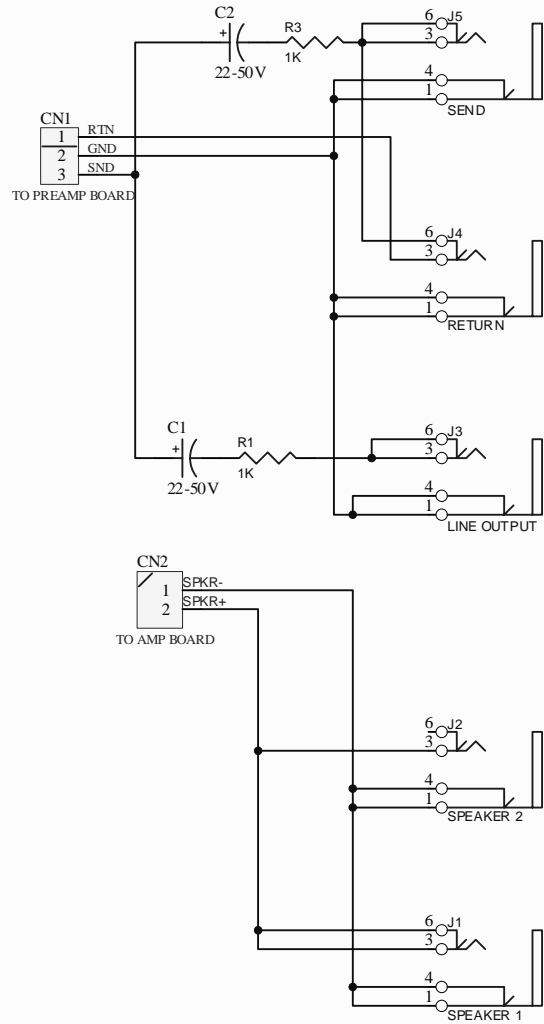




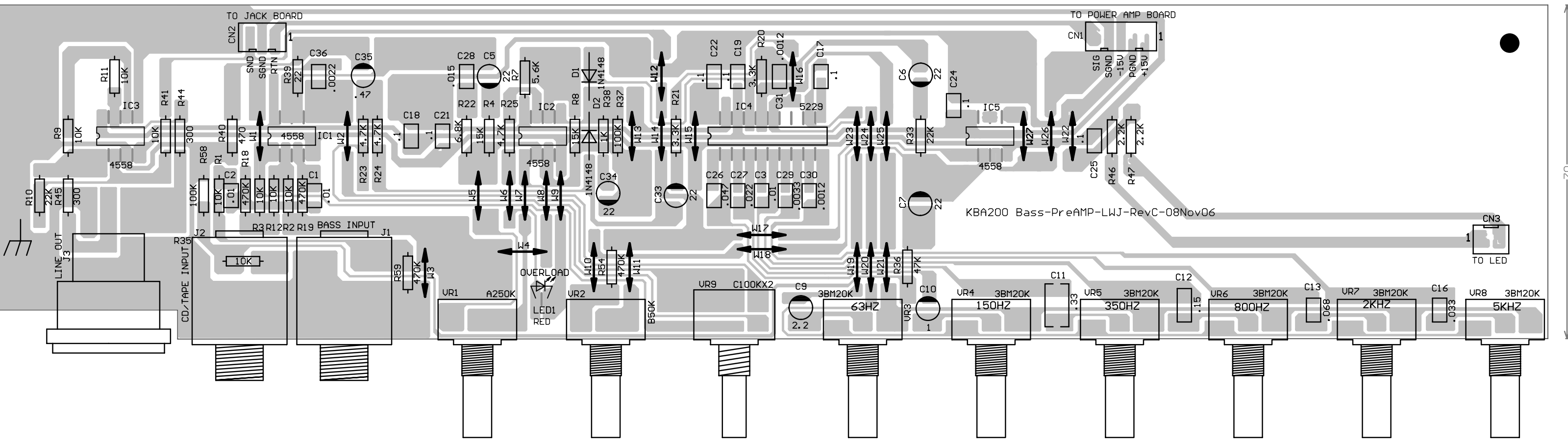
DE200HDPreamp RevC



| | | | |
|-------|---------------------------------------|----------------------|-----------|
| Title | | KBA210C-115C DE200HD | 2007-2-13 |
| Size | Number | Revision | |
| B | | | |
| Date: | 3/8/2007 | Sheet of | |
| File: | W:\Kustomeng\KBA210C-115C DE200HD.pcb | | |



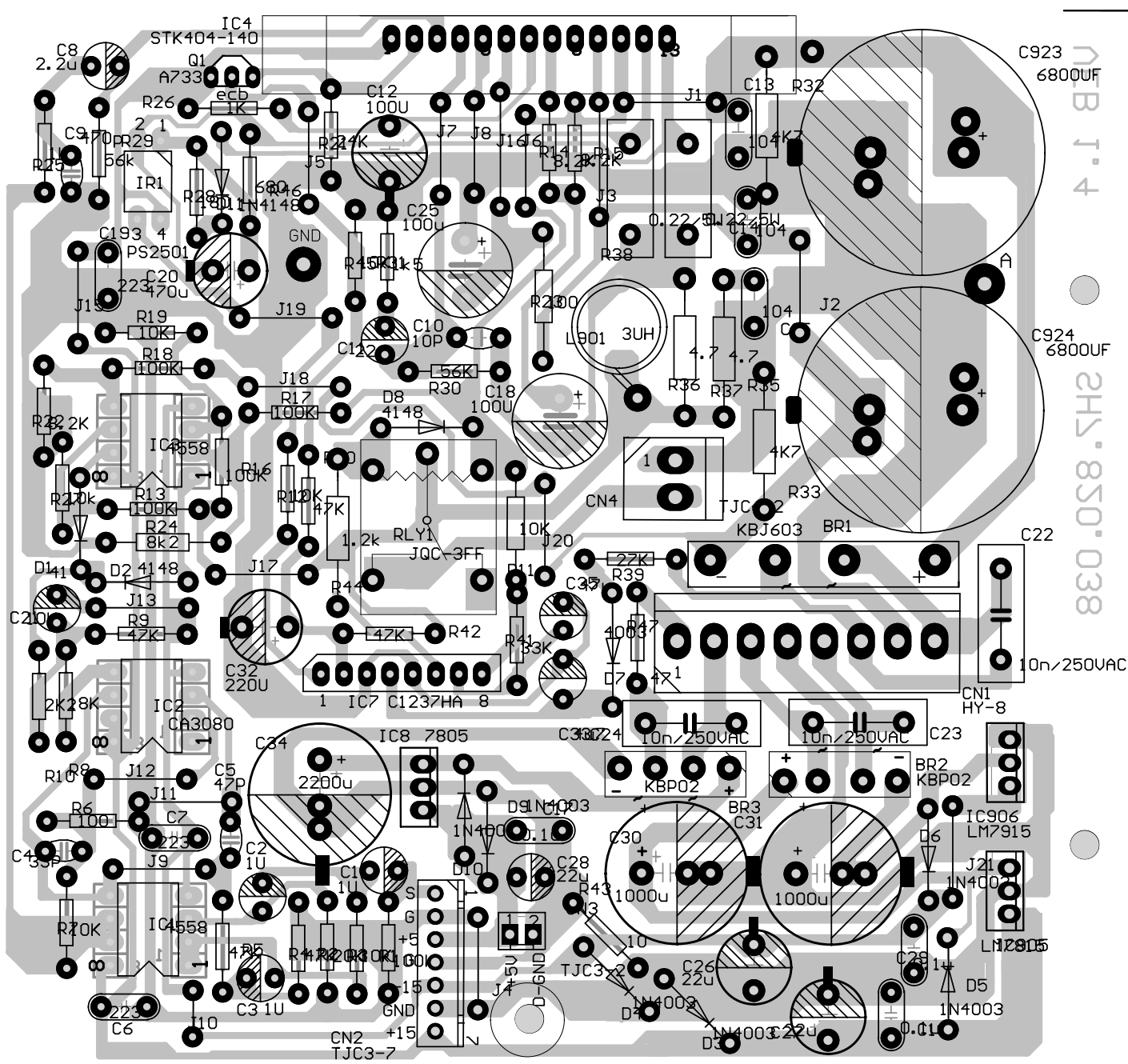
| | | |
|--------------|---|----------|
| Title | | |
| DE200HD JACK | | |
| Size | Number | Revision |
| Letter | | |
| Date: | 3/8/2007 | Sheet of |
| File: | W:\Kustomeng\...\DE200HD JACK 29SEP06.DWG | 06 of 10 |



KBA200 Bass-PreAMP-LWJ-RevC-08Nov06

70

2003.2.8
KPM7250-POWER-PCB



KPM7250-POWER PCB
VER 1.4
2003.5.9

Preamp

| Designator | VALUE | Description |
|------------|--------------|-------------|
| C1 | 0.01uF | CAPACITOR |
| C2 | 0.01uF | CAPACITOR |
| C3 | 0.01uF | CAPACITOR |
| C5 | 22uF | CAPACITOR |
| C6 | 22uF | CAPACITOR |
| C7 | 22uF | CAPACITOR |
| C9 | 2.2uF | CAPACITOR |
| C10 | 1uF | CAPACITOR |
| C11 | 0.33uF | CAPACITOR |
| C12 | 0.15uF | CAPACITOR |
| C13 | 0.068uF | CAPACITOR |
| C16 | 0.033uF | CAPACITOR |
| C17 | 0.1uF | CAPACITOR |
| C18 | 0.1uF | CAPACITOR |
| C19 | 0.1uF | CAPACITOR |
| C21 | 0.1uF | CAPACITOR |
| C22 | 0.1uF | CAPACITOR |
| C24 | 0.1uF | CAPACITOR |
| C25 | 0.1uF | CAPACITOR |
| C26 | 0.047uF | CAPACITOR |
| C27 | 0.022uF | CAPACITOR |
| C28 | 0.01uF | CAPACITOR |
| C29 | 0.0033uF | CAPACITOR |
| C30 | 0.0012uF | CAPACITOR |
| C31 | 0.0012uF | CAPACITOR |
| C33 | 22uF | CAPACITOR |
| C34 | 22uF | CAPACITOR |
| C35 | 0.47uF | CAPACITOR |
| C36 | 0.0022uF | CAPACITOR |
| CN1 | 5 PIN | HEADER |
| CN2 | 3 PIN | HEADER |
| CN3 | 2 PIN | HEADER |
| D1 | 1N4148 | DIODE |
| D2 | 1N4148 | DIODE |
| IC1 | NJM4558D | OP-AMP |
| IC2 | NJM4558D | OP-AMP |
| IC3 | NJM4558D | OP-AMP |
| IC4 | | GRAPHIC EQ |
| IC5 | NJM4558D | OP-AMP |
| J1 | JACK | JACK |
| J2 | JACK | JACK |
| J3 | XLR | XLR JACK |
| LED1 | RED DIFFUSED | LED |
| R1 | 10K | RESISTOR |
| R2 | 10K | RESISTOR |
| R3 | 10K | RESISTOR |
| R4 | 22K | RESISTOR |
| R7 | 47K | RESISTOR |
| R8 | 10K | RESISTOR |
| R9 | 10K | RESISTOR |
| R10 | 22K | RESISTOR |

Preamp

| | | |
|-----|---------|---------------|
| R11 | 10K | RESISTOR |
| R12 | 10K | RESISTOR |
| R18 | 470K | RESISTOR |
| R19 | 470K | RESISTOR |
| R20 | 3.3K | RESISTOR |
| R21 | 3.3K | RESISTOR |
| R22 | 10K | RESISTOR |
| R23 | 4.7K | RESISTOR |
| R24 | 4.7K | RESISTOR |
| R25 | 4.7K | RESISTOR |
| R33 | 22K | RESISTOR |
| R35 | 10K | RESISTOR |
| R36 | 47K | RESISTOR |
| R37 | 100K | RESISTOR |
| R38 | 1K | RESISTOR |
| R39 | 22 | RESISTOR |
| R40 | 470 | RESISTOR |
| R41 | 10K | RESISTOR |
| R44 | 300 | RESISTOR |
| R45 | 300 | RESISTOR |
| R46 | 2.2K | RESISTOR |
| R47 | 2.2K | RESISTOR |
| R54 | 470K | RESISTOR |
| R58 | 100K | RESISTOR |
| R59 | 470K | RESISTOR |
| VR1 | 250KA | POTENTIOMETER |
| VR2 | 50KB | POTENTIOMETER |
| VR3 | 25K3B | POTENTIOMETER |
| VR4 | 25K3B | POTENTIOMETER |
| VR5 | 25K3B | POTENTIOMETER |
| VR6 | 25K3B | POTENTIOMETER |
| VR7 | 25K3B | POTENTIOMETER |
| VR8 | 25K3B | POTENTIOMETER |
| VR9 | 100KC*2 | POTENTIOMETER |

Power Amp

| Designator | Comment | Description |
|------------|----------------------|---------------------|
| BR1 | DIODE BRIDGE IN-LINE | |
| BR2 | DIODE BRIDGE IN-LINE | |
| BR3 | DIODE BRIDGE DIP4 | |
| C1 | 0.47u | POLARIZED CAPACITOR |
| C2 | 0.47u | POLARIZED CAPACITOR |
| C3 | 0.47u | POLARIZED CAPACITOR |
| C4 | 33pF/50V | CAPACITOR |
| C5 | 47pF | CAPACITOR |
| C6 | .022 | CAPACITOR |
| C7 | .022 | CAPACITOR |
| C8 | 2.2u/25V | POLARIZED CAPACITOR |
| C9 | 470pF | CAPACITOR |
| C10 | 10pF | CAPACITOR |
| C11 | 22/25V | POLARIZED CAPACITOR |
| C12 | 100u/16V | POLARIZED CAPACITOR |
| C13 | .1/100V | CAPACITOR |
| C14 | .1/100V | CAPACITOR |
| C15 | .1/100V | CAPACITOR |
| C16 | .1 | CAPACITOR |
| C17 | .1 | CAPACITOR |
| C18 | 100u/100V | POLARIZED CAPACITOR |
| C19 | .022 | CAPACITOR |
| C20 | 470U/16V | |
| C21 | 10/50V | POLARIZED CAPACITOR |
| C22 | .01/250VAC | CAPACITOR |
| C23 | .01/250VAC | CAPACITOR |
| C24 | .01/250VAC | CAPACITOR |
| C25 | 100u/100V | POLARIZED CAPACITOR |
| C26 | 22/50V | POLARIZED CAPACITOR |
| C27 | 22/50V | POLARIZED CAPACITOR |
| C28 | 22/50V | POLARIZED CAPACITOR |
| C29 | .1 | CAPACITOR |
| C30 | 1000/25V | POLARIZED CAPACITOR |
| C31 | 1000/25V | POLARIZED CAPACITOR |
| C32 | 100u/25V | POLARIZED CAPACITOR |
| C33 | 4.7/50V | POLARIZED CAPACITOR |
| C34 | 2200/16V | POLARIZED CAPACITOR |
| C35 | 220u/25V | POLARIZED CAPACITOR |
| C923 | 6800/63V | POLARIZED CAPACITOR |
| C924 | 6800/63V | POLARIZED CAPACITOR |
| CN1 | TO TRANSFORMER | HEADER |
| CN2 | TO PREAMP BOARD | HEADER |
| CN3 | TO FAN | HEADER |
| CN4 | TO JACK BOARD | HEADER |
| D1 | 1N4148 | 500mA DIODE |
| D2 | 1N4148 | 500mA DIODE |
| D3 | 1N4007 | 500mA DIODE |
| D4 | 1N4007 | 500mA DIODE |
| D5 | 1N4007 | 500mA DIODE |
| D6 | 1N4007 | 500mA DIODE |

Power Amp

| | | |
|-------|---------------|-------------------------|
| D7 | 1N4007 | 500mA DIODE |
| D8 | 1N4148 | 500mA DIODE |
| D9 | 1N4007 | 500mA DIODE |
| D10 | 1N4007 | 500mA DIODE |
| D11 | 1N4148 | |
| IC1 | 4558 | |
| IC2 | CA3080 | CA3080 |
| IC3 | 4558 | |
| IC4 | STK404-140 | STK404-140 |
| IC7 | C1237 ADAPTER | C1237HA |
| IC8 | 78M05 | TO-92 VOLTAGE REGULATOR |
| IC905 | 79M15 | TO-92 VOLTAGE REGULATOR |
| IR1 | PS2501-1 | |
| L901 | 2.2uH | |
| Q1 | A733 | |
| R1 | 100K | RESISTOR |
| R2 | 12K | RESISTOR |
| R3 | 10K | RESISTOR |
| R4 | 47K | RESISTOR |
| R5 | 47K | RESISTOR |
| R6 | 100 | RESISTOR |
| R7 | 10K | RESISTOR |
| R8 | 18K | RESISTOR |
| R9 | 47K | RESISTOR |
| R10 | 2.2K | RESISTOR |
| R11 | 10K | RESISTOR |
| R12 | 10K | RESISTOR |
| R13 | 100K | RESISTOR |
| R14 | 8.2K | RESISTOR |
| R15 | 8.2K | RESISTOR |
| R16 | 100K | RESISTOR |
| R17 | 100K | RESISTOR |
| R18 | 100K | RESISTOR |
| R19 | 10K | RESISTOR |
| R20 | 47K | RESISTOR |
| R21 | 24K | RESISTOR |
| R22 | 8.2K | RESISTOR |
| R23 | 100/1W | RESISTOR |
| R24 | 8.2K | RESISTOR |
| R25 | 1K | RESISTOR |
| R26 | 1K | RESISTOR |
| R27 | 10K | RESISTOR |
| R28 | 510 | RESISTOR |
| R29 | 56K | RESISTOR |
| R30 | 56K | RESISTOR |
| R31 | 1.5K | RESISTOR |
| R32 | 4.7K/1W | RESISTOR |
| R33 | 4.7k/1W | RESISTOR |
| R35 | 4.7/1W | RESISTOR |
| R36 | 4.7/1W | RESISTOR |
| R37 | .22/5W | |

Power Amp

| | | |
|------|------------|----------|
| R39 | 27K | RESISTOR |
| R41 | 68K | RESISTOR |
| R42 | 47K | RESISTOR |
| R43 | 10 | RESISTOR |
| R44 | 1.2K/1W | RESISTOR |
| R45 | 10K | RESISTOR |
| R46 | 470 | RESISTOR |
| R47 | 0.47 | RESISTOR |
| RLY1 | RELAY-SPST | |

Jack Bd.

| Designator | Comment | Description |
|------------|-------------|--------------------|
| C1 | 22-50V | CAPACITOR |
| C2 | 22-50V | CAPACITOR |
| CN1 | | HEADER |
| CN2 | | HEADER |
| J1 | SPEAKER 1 | VERTICAL T-TS-S-SS |
| J2 | SPEAKER 2 | VERTICAL T-TS-S-SS |
| J3 | LINE OUTPUT | VERTICAL T-TS-S-SS |
| J4 | RETURN | VERTICAL T-TS-S-SS |
| J5 | SEND | VERTICAL T-TS-S-SS |
| R1 | 1K | RESISTOR |
| R3 | 1K | RESISTOR |