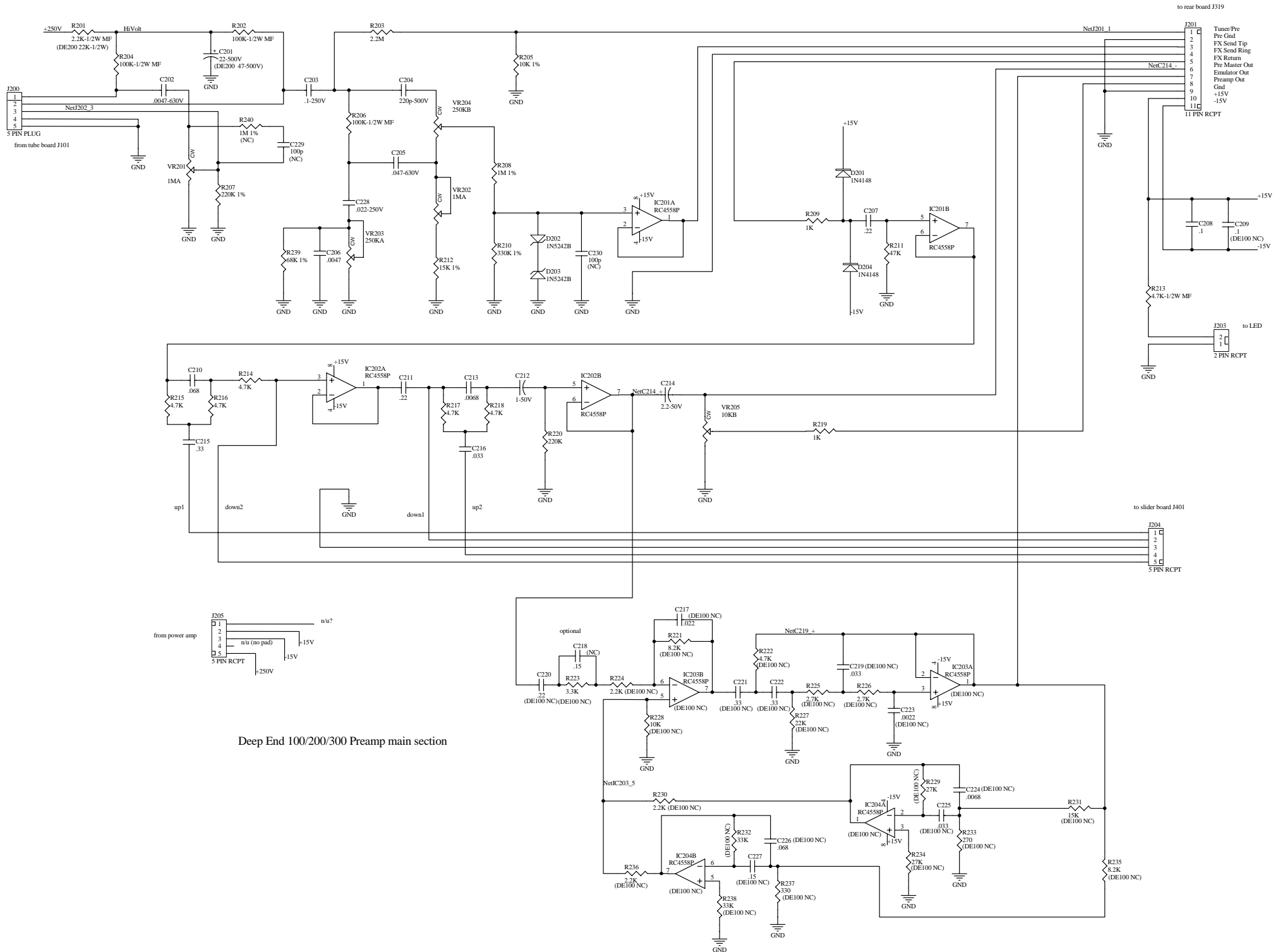
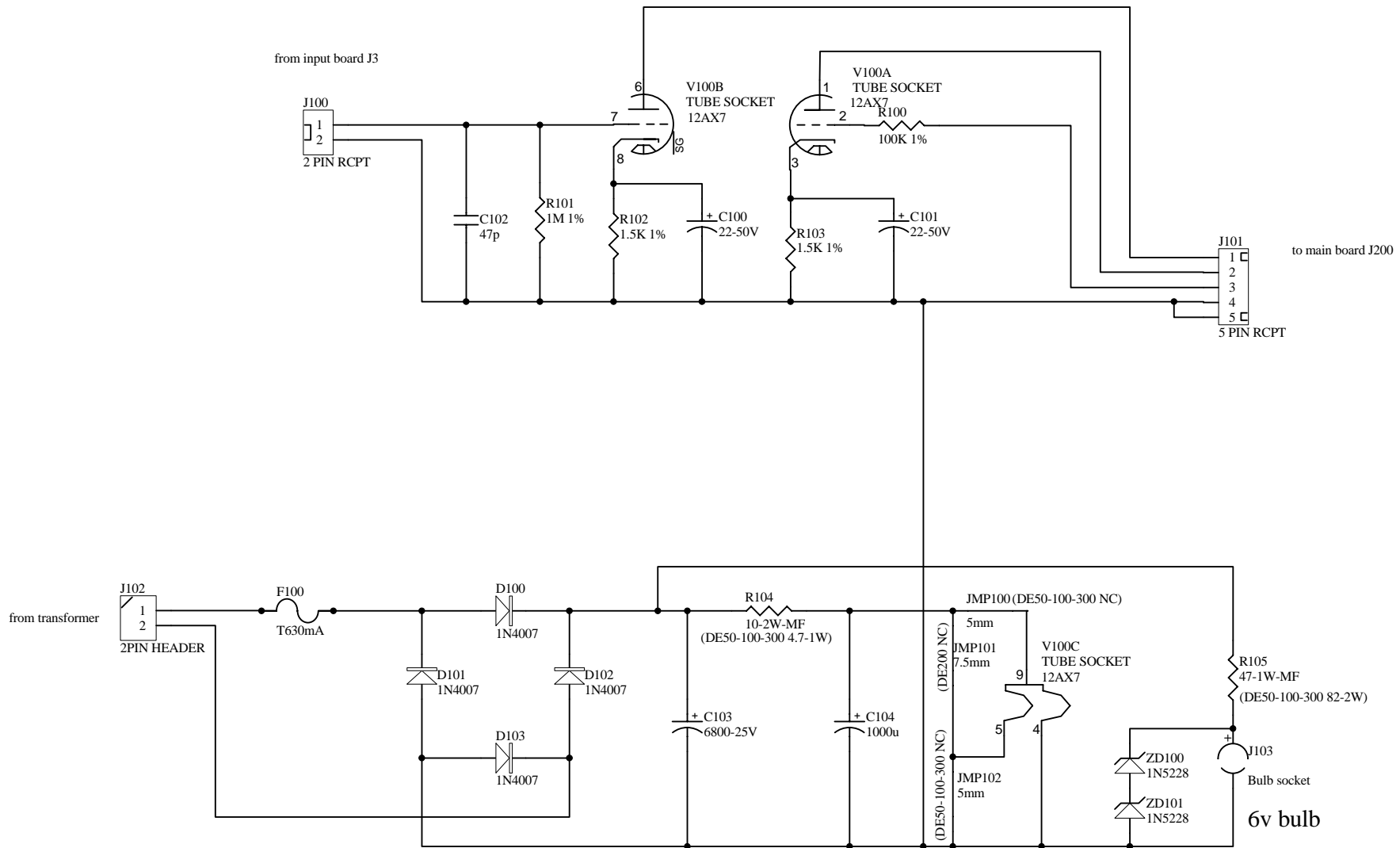
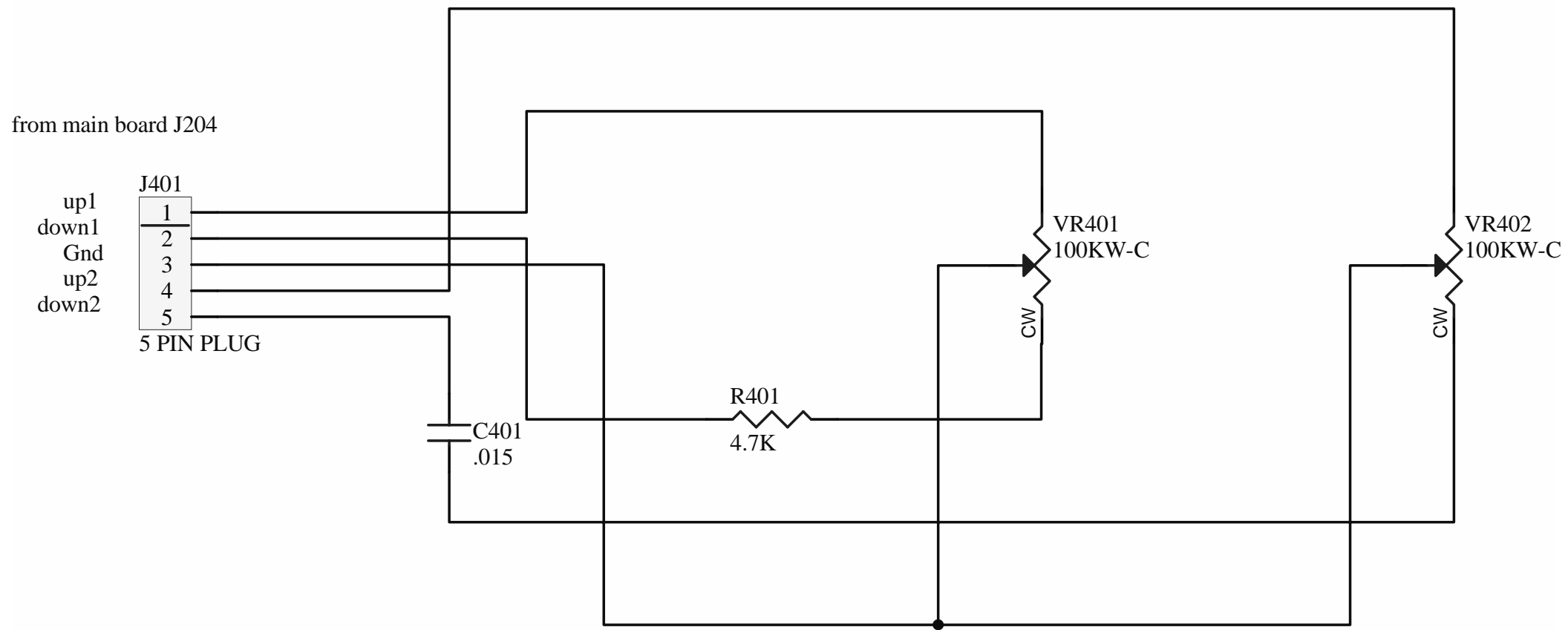


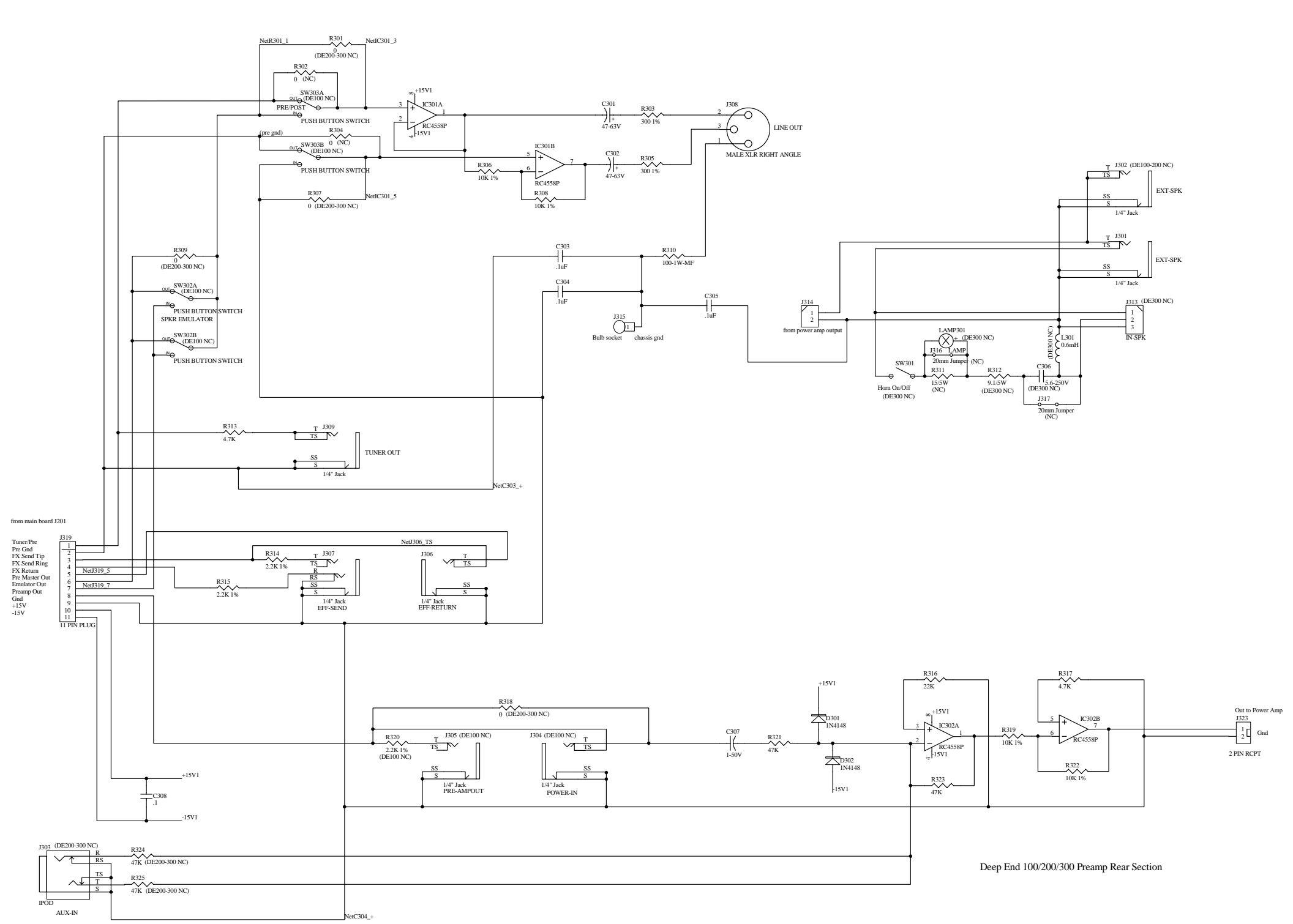
Deep End 50/100/200/300 Preamp Input Section



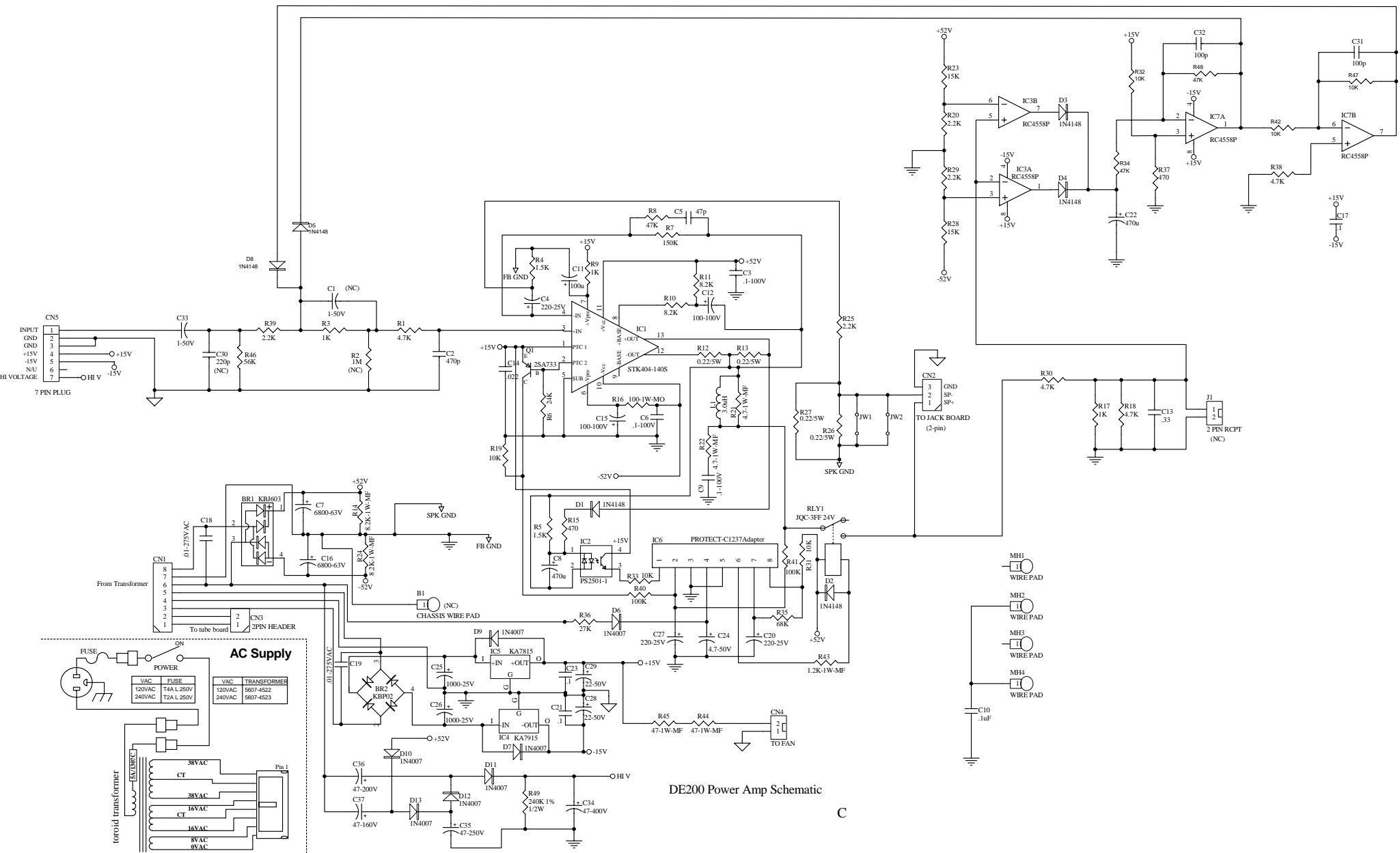
Deep End 100/200/300 Preamp main section







Deep End 100/200/300 Preamp Rear Section



DE200 Power Amp Schematic

C