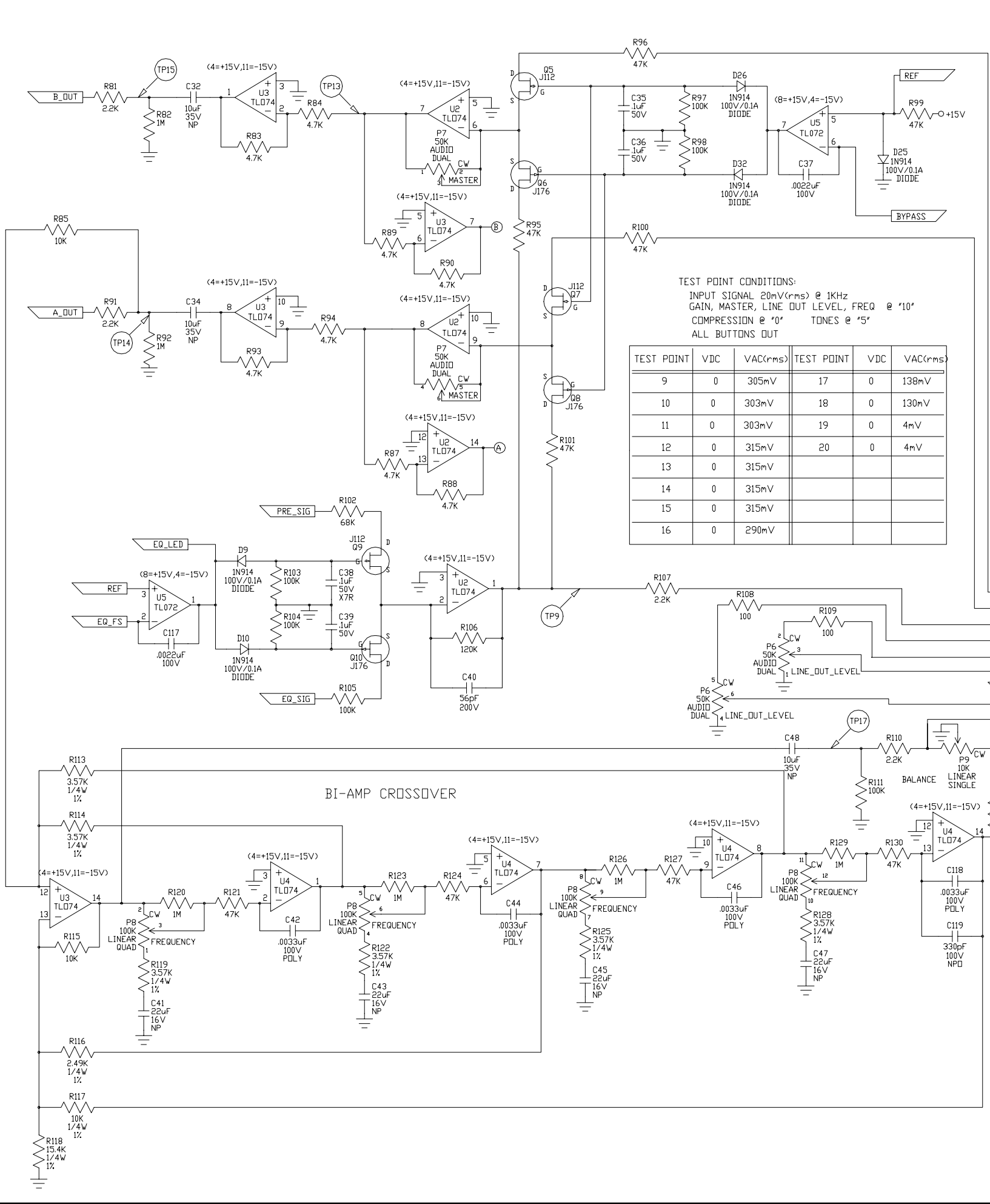


TEST POINT CONDITIONS:  
 INPUT SIGNAL 20mV(rms) @ 1KHz  
 GAIN, MASTER, LINE OUT LEVEL, FREQ @ '10'  
 COMPRESSION @ '0' TONES @ '5'

TEST POINT	VDC	VAC(rms)
1	0	20mV
2	0	500mV
3	0	866mV
4	0	1.27V
5	95mV	45.5mV
6	0	162mV
7	19.2V	12mV
8	-19.2V	12mV

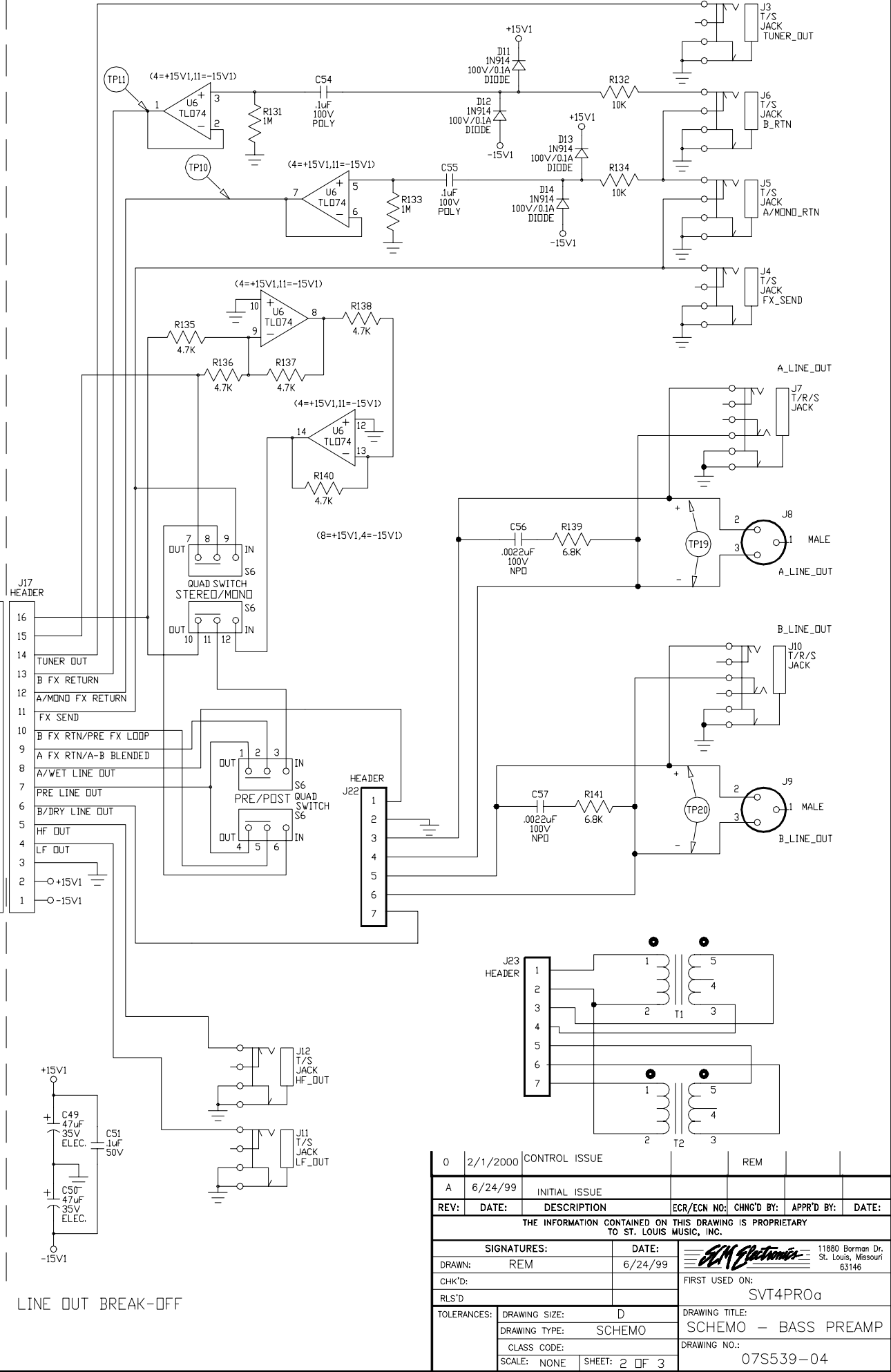
Tube	Part Number	Pinout
V1	97B127-01	12AX7
V2	95F127-01	12AX7
V3	95F127-01	12AX7

0	2/1/2000	CONTROL ISSUE	REM		
A	6/24/99	INITIAL ISSUE			
REV:	DATE:	DESCRIPTION	ECR/ECN NO:	CHNG'D BY:	APPR'D BY: DATE:
THE INFORMATION CONTAINED ON THIS DRAWING IS PROPRIETARY TO ST. LOUIS MUSIC, INC.					
SIGNATURES:		DATE:		11880 Borman Dr. St. Louis, Missouri 63146	
DRAWN: REM		6/24/99		FIRST USED ON:	
CHK'D:				SVT4PROα	
RLS'D:				DRAWING TITLE: SCHEMO - BASS PREAMP	
TOLERANCES:		DRAWING SIZE: D		DRAWING NO.:	
		DRAWING TYPE: SCHEMO		07S539-04	
		CLASS CODE:		DRAWING NO.:	
		SCALE: NONE		SHEET: 1 of 3	

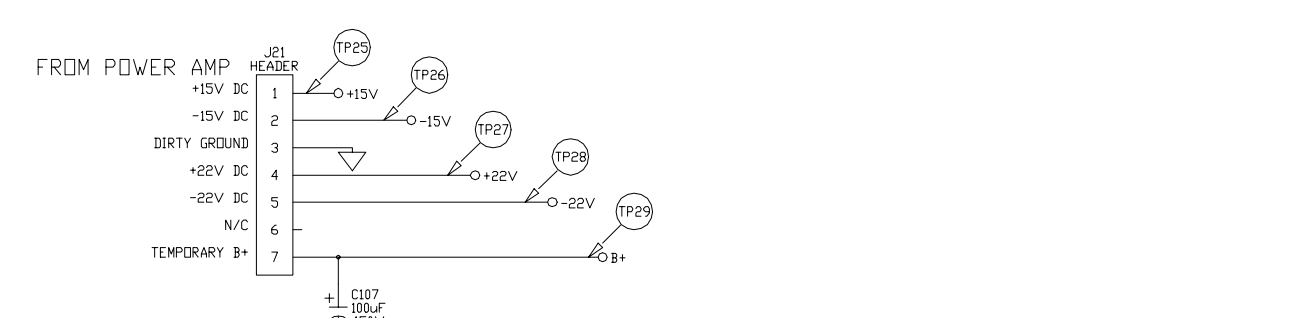
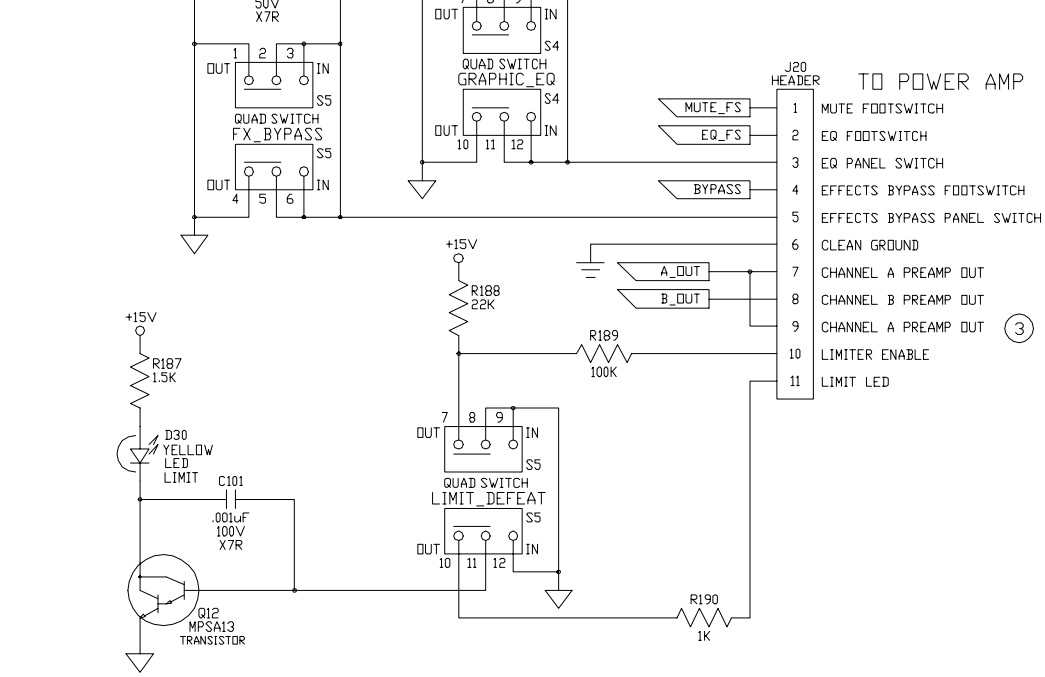
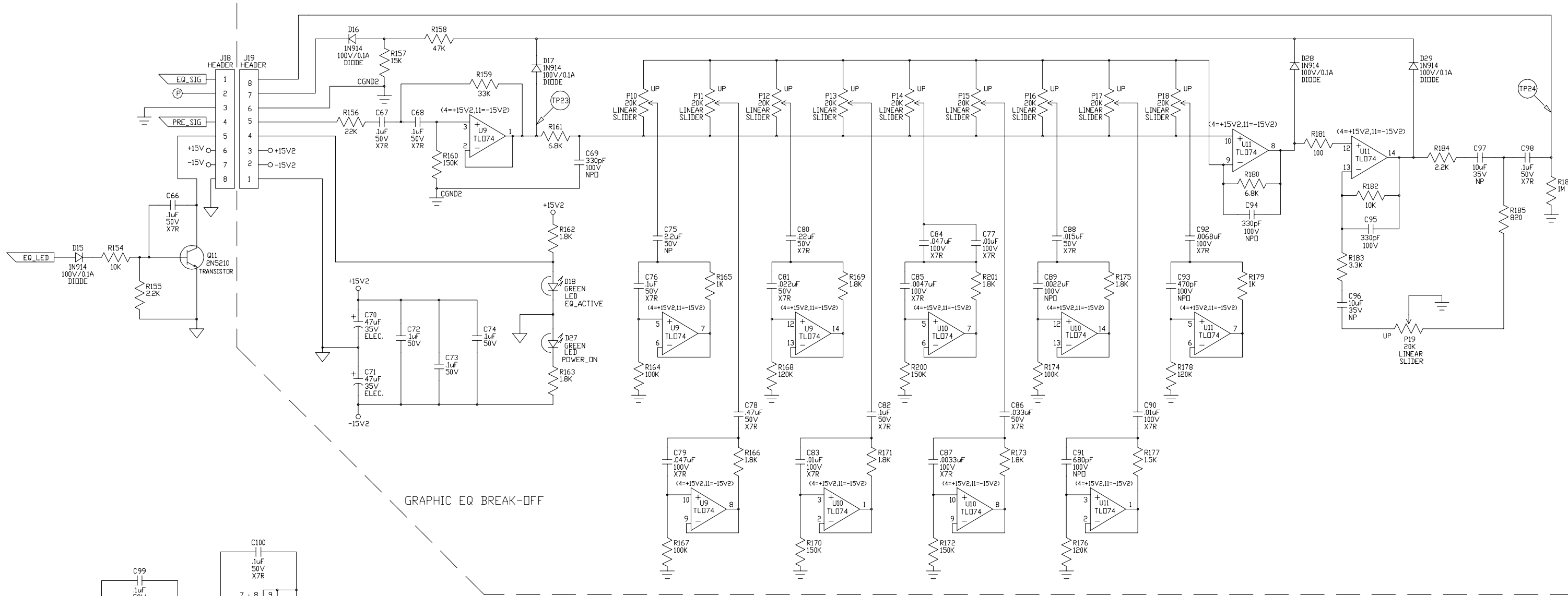


TEST POINT CONDITIONS:  
 INPUT SIGNAL 20mV(rms) @ 1KHz  
 GAIN, MASTER, LINE OUT LEVEL, FREQ @ '10'  
 COMPRESSION @ '0' TONES @ '5'  
 ALL BUTTONS OUT

TEST POINT	VDC	VAC(rms)	TEST POINT	VDC	VAC(rms)
9	0	305mV	17	0	138mV
10	0	303mV	18	0	130mV
11	0	303mV	19	0	4mV
12	0	315mV	20	0	4mV
13	0	315mV			
14	0	315mV			
15	0	315mV			
16	0	290mV			

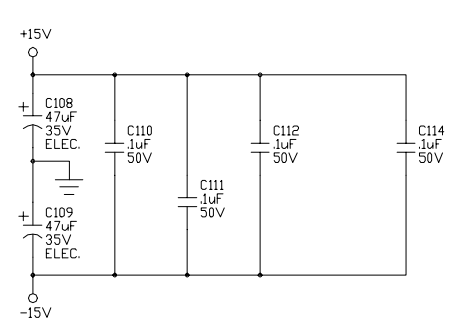


0	2/1/2000	CONTROL ISSUE		REM	
A	6/24/99	INITIAL ISSUE			
REV:	DATE:	DESCRIPTION	ECR/ECN NO:	CHNG'D BY:	APPR'D BY: DATE:
THE INFORMATION CONTAINED ON THIS DRAWING IS PROPRIETARY TO ST. LOUIS MUSIC, INC.					
SIGNATURES:		DATE:		11880 Borman Dr. St. Louis, Missouri 63146	
DRAWN: REM		6/24/99		SVT4PR0a	
CHK'D:		FIRST USED ON:		SCHEMO - BASS PREAMP	
RLS'D:		DRAWING NO.:		07S539-04	
TOLERANCES:		DRAWING SIZE: D		DRAWING TITLE:	
		DRAWING TYPE: SCHEMO		DRAWING NO.:	
		CLASS CODE:		DRAWING NO.:	
		SCALE: NONE		SHEET: 2 OF 3	

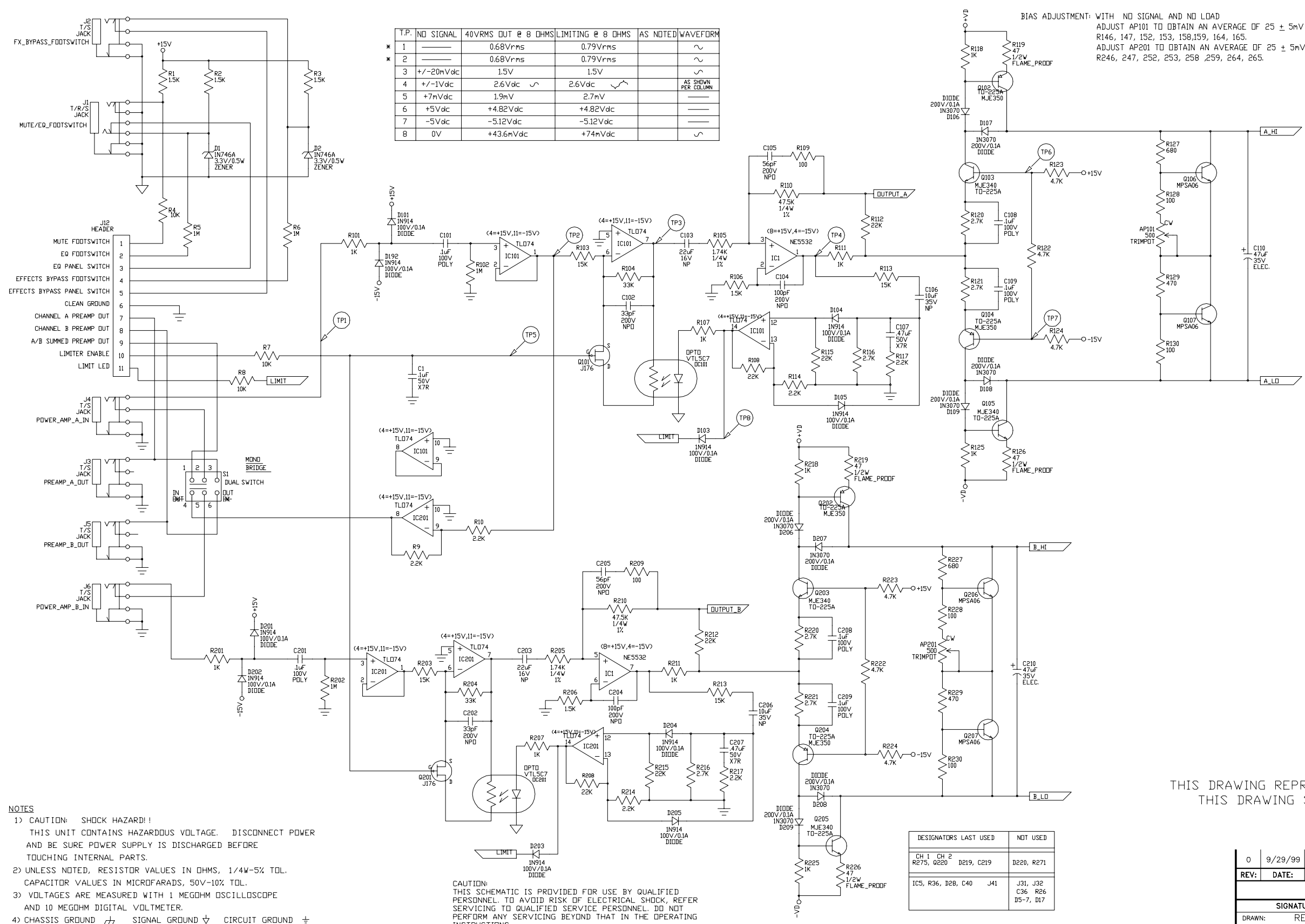


TEST POINT CONDITIONS:  
 INPUT SIGNAL 20mV(rms) @ 1KHz  
 GAIN, MASTER, LINE OUT LEVEL, FREQ @ '10'  
 COMPRESSION @ '0' TONES @ '5'  
 ALL BUTTONS OUT

TEST POINT	VDC	VAC(rms)
23	0	143mV
24	0	207mV
25	15V	1mV
26	-15V	1mV
27	24.5V	375mV
28	-24.5V	350mV
29	278V	----



0	2/1/2000	CONTROL ISSUE	REM		
A	6/24/99	INITIAL ISSUE			
REV:	DATE:	DESCRIPTION	ECR/ECN NO:	CHNG'D BY:	APPR'D BY:
THE INFORMATION CONTAINED ON THIS DRAWING IS PROPRIETARY TO ST. LOUIS MUSIC, INC.					
SIGNATURES:		DATE:		11880 Borman Dr. St. Louis, Missouri 63146	
DRAWN:	REM	6/24/99		SVT4PROα	
CHK'D:				FIRST USED ON:	
RLS'D:				SVT4PROα	
TOLERANCES:	DRAWING SIZE: D	DRAWING TITLE: SCHEMO - BASS PREAMP		DRAWING NO.: 07S539-04	
	DRAWING TYPE: SCHEMO				
	CLASS CODE:				
	SCALE: NONE	SHEET: 3 OF 3			



BIAS ADJUSTMENT: WITH NO SIGNAL AND NO LOAD  
 ADJUST AP101 TO OBTAIN AN AVERAGE OF 25 ± 5mV ACROSS R139, 140, 146, 147, 152, 153, 158, 159, 164, 165.  
 ADJUST AP201 TO OBTAIN AN AVERAGE OF 25 ± 5mV ACROSS R239, 240, 246, 247, 252, 253, 258, 259, 264, 265.

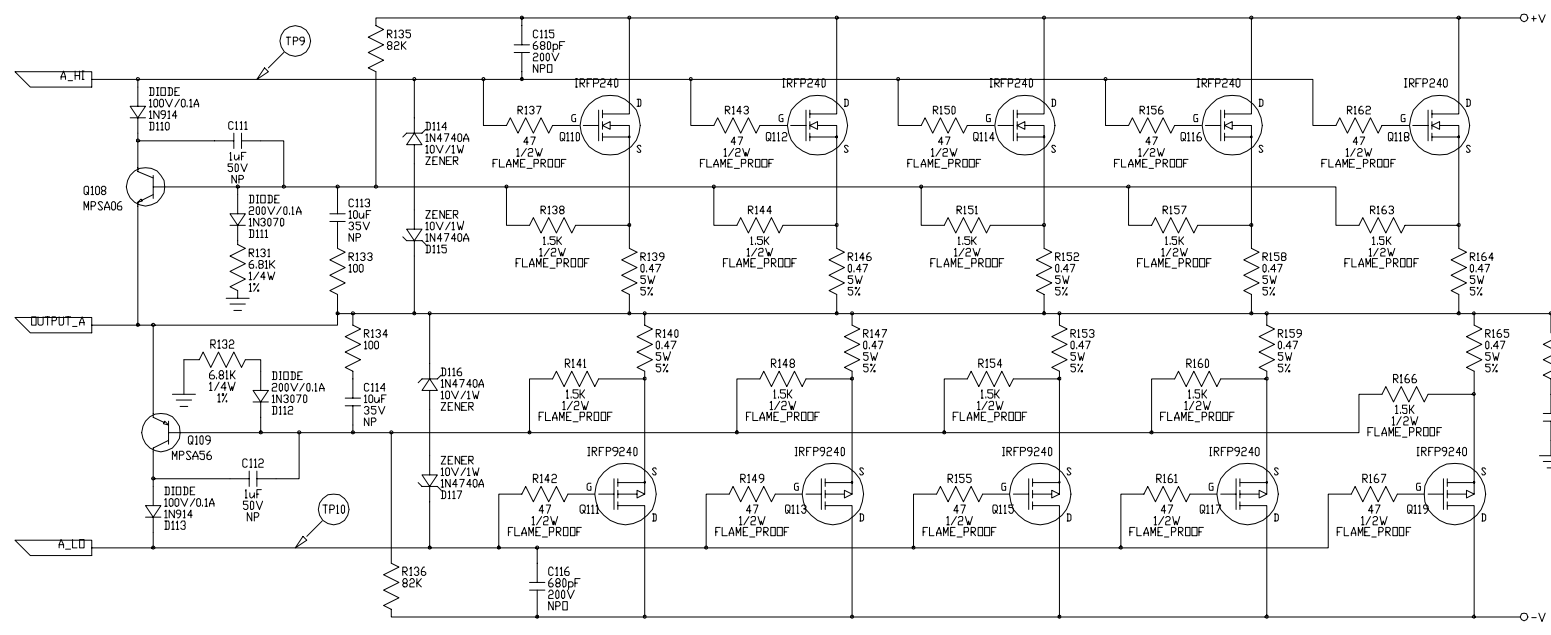
- NOTES
- 1) CAUTION: SHOCK HAZARD!! THIS UNIT CONTAINS HAZARDOUS VOLTAGE. DISCONNECT POWER AND BE SURE POWER SUPPLY IS DISCHARGED BEFORE TOUCHING INTERNAL PARTS.
  - 2) UNLESS NOTED, RESISTOR VALUES IN OHMS, 1/4W-5% TOL. CAPACITOR VALUES IN MICROFARADS, 50V-10% TOL.
  - 3) VOLTAGES ARE MEASURED WITH 1 MEGOHM OSCILLOSCOPE AND 10 MEGOHM DIGITAL VOLTMETER.
  - 4) CHASSIS GROUND  $\uparrow$  SIGNAL GROUND  $\downarrow$  CIRCUIT GROUND  $\perp$

CAUTION: THIS SCHEMATIC IS PROVIDED FOR USE BY QUALIFIED PERSONNEL TO AVOID RISK OF ELECTRICAL SHOCK. REFER SERVICING TO QUALIFIED SERVICE PERSONNEL. DO NOT PERFORM ANY SERVICING BEYOND THAT IN THE OPERATING INSTRUCTIONS.

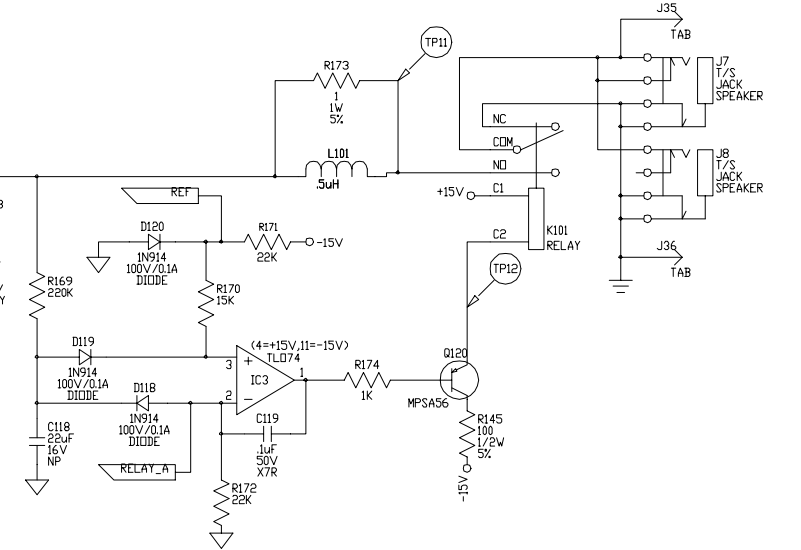
DESIGNATOR'S LAST USED	NOT USED
CH 1, CH 2, R275, Q220	D219, C219, D220, R271
IC5, R36, D28, C40, J41	J31, J32, C36, R26, D5-7, D17

THIS DRAWING REPRESENTS ASSY 07-428-01 & -02  
 THIS DRAWING SUPERCEDES 07S428-01

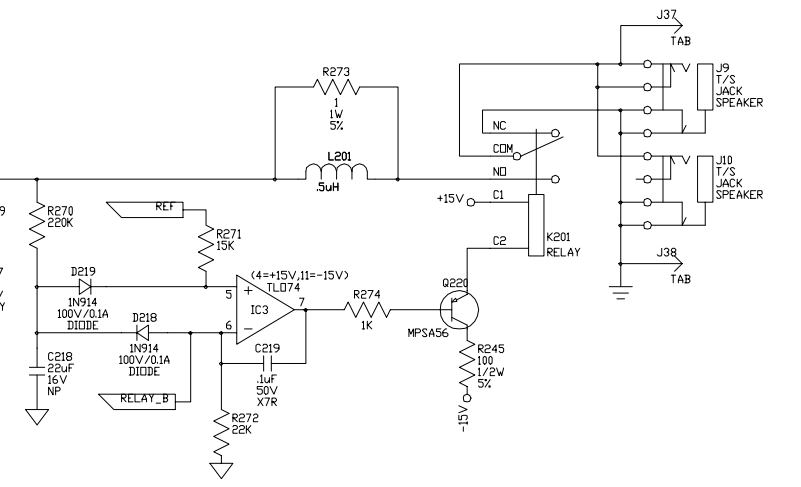
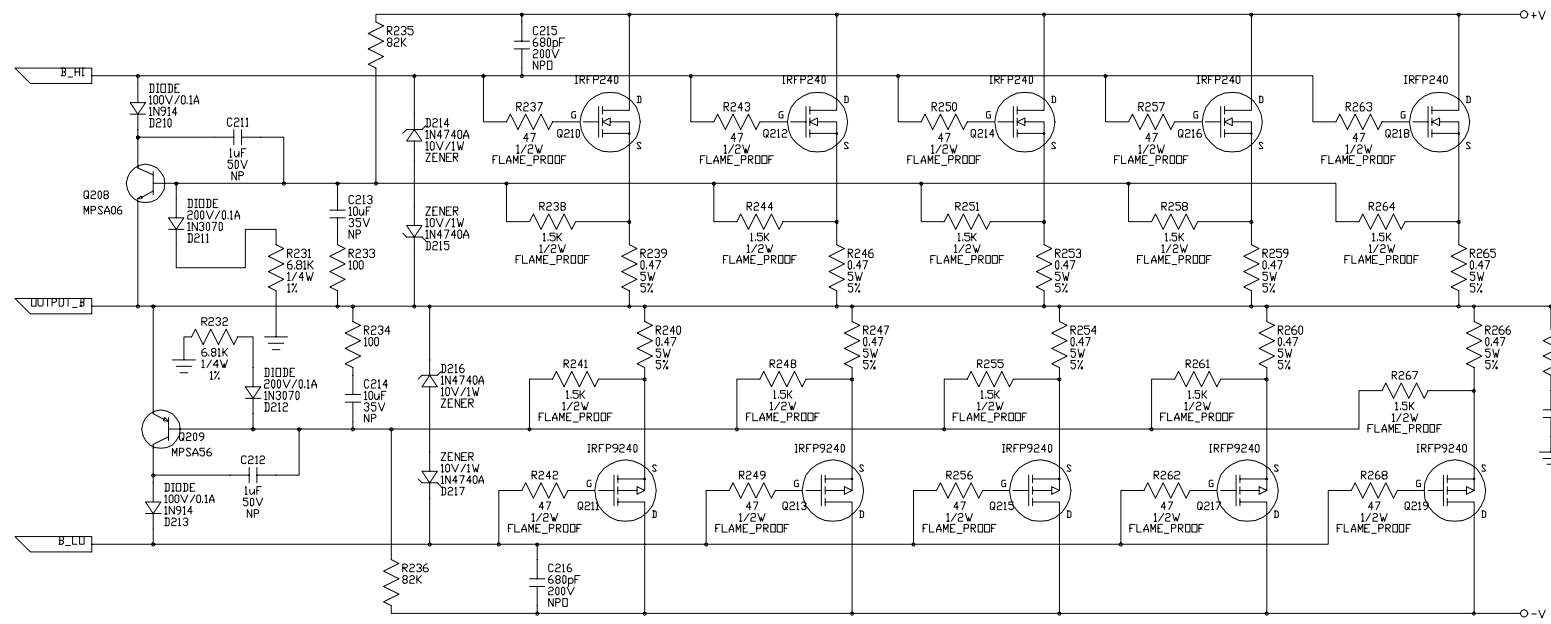
0	9/29/99	CONTROL ISSUE	REM		
REV:	DATE:	DESCRIPTION:	ECR/ECN NO:	CHNG'D BY:	APPR'D BY:
THE INFORMATION CONTAINED ON THIS DRAWING IS PROPRIETARY TO ST. LOUIS MUSIC, INC.					
SIGNATURES:		DATE:	11880 Borman Dr. St. Louis, Missouri 63146		
DRAWN: REM		9-26-96	FIRST USED ON: SVT-4 PRO		
CHK'D:			DRAWING TITLE: PWR AMP SCH		
RLS'D:			DRAWING NO: 07S428-XX		
TOLERANCES:	DRAWING SIZE: D				
	DRAWING TYPE:				
	CLASS CODE:				
	SCALE: NONE	SHEET: 1 OF 3			



T.P.	NO SIGNAL	40VRMS OUT @ 8 OHMS	LIMITING @ 8 OHMS	AS NOTED	WAVEFORM
9	+3.6Vdc	40Vrms	45Vrms		~
10	-3.5Vdc	40Vrms	45Vrms		~
11	7.2mVdc	40Vrms	45Vrms		~
12	-11.52Vdc	-11.8Vdc	-11.8Vdc		~



BIAS ADJUSTMENT: WITH NO SIGNAL AND NO LOAD  
 ADJUST AP101 TO OBTAIN AN AVERAGE OF 25. + 5mV ACROSS R139, 140, R146, 147, 152, 153, 158, 159, 164, 165.  
 ADJUST AP201 TO OBTAIN AN AVERAGE OF 25. + 5mV ACROSS R239, 240, R246, 247, 252, 253, 258, 259, 264, 265.

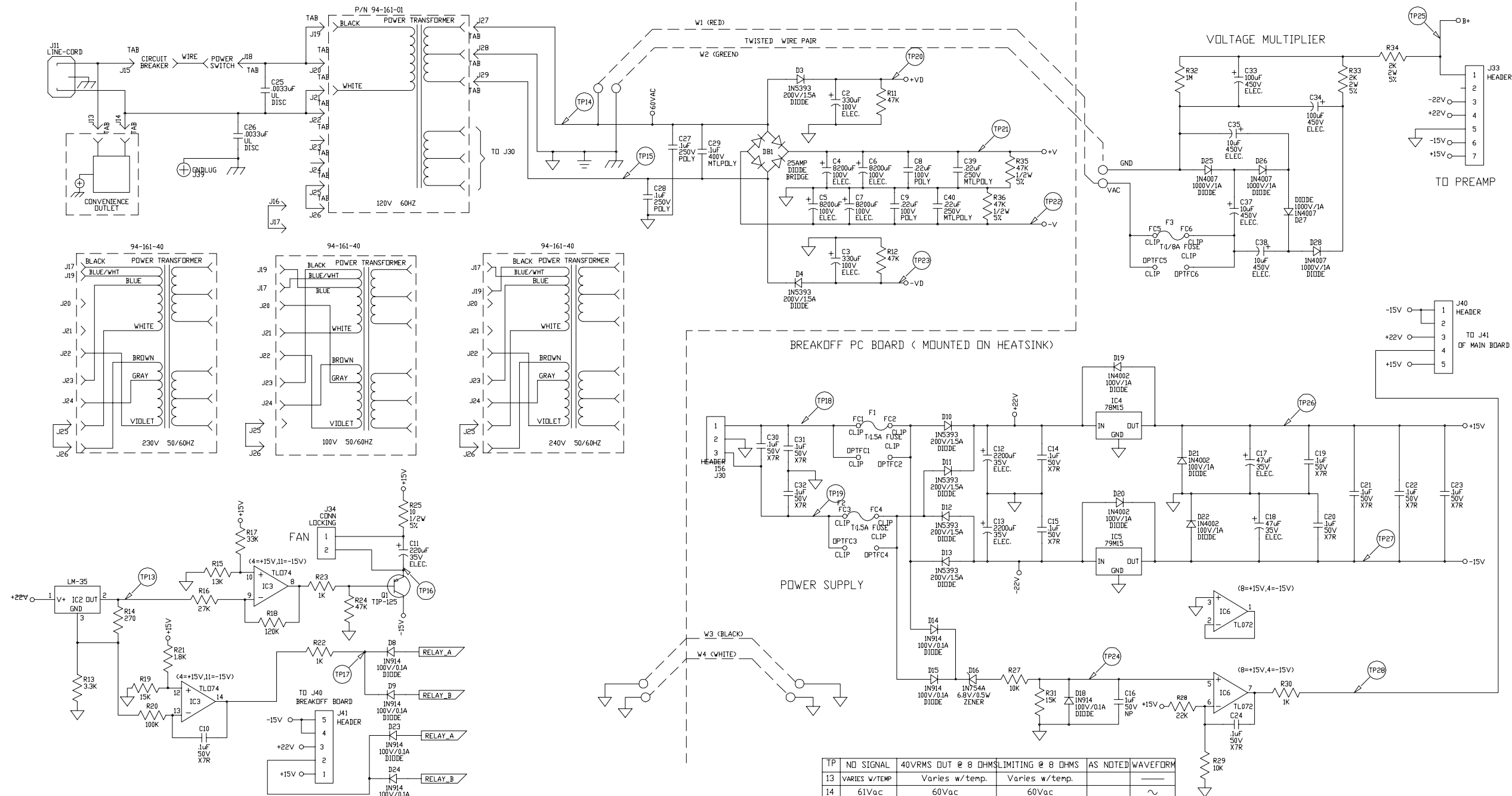


**NOTES**

- 1) CAUTION: SHOCK HAZARD!! THIS UNIT CONTAINS HAZARDOUS VOLTAGE. DISCONNECT POWER AND BE SURE POWER SUPPLY IS DISCHARGED BEFORE TOUCHING INTERNAL PARTS.
- 2) UNLESS NOTED, RESISTOR VALUES IN OHMS, 1/4W-5% TOL. CAPACITOR VALUES IN MICROFARADS, 50V-10% TOL.
- 3) VOLTAGES ARE MEASURED WITH 1 MEGOHM OSCILLOSCOPE AND 10 MEGOHM DIGITAL VOLTMETER.
- 4) CHASSIS GROUND ⚡ SIGNAL GROUND ⚡ CIRCUIT GROUND ⚡

CAUTION: THIS SCHEMATIC IS PROVIDED FOR USE BY QUALIFIED PERSONNEL. TO AVOID RISK OF ELECTRICAL SHOCK, REFER SERVICING TO QUALIFIED SERVICE PERSONNEL. DO NOT PERFORM ANY SERVICING BEYOND THAT IN THE OPERATING INSTRUCTIONS.

REV:	DATE:	DESCRIPTION	ECR/ECN NO.:	CHNG'D BY:	APPR'D BY:	DATE:
0		SEE SHT 1 FOR REV HISTORY				
THE INFORMATION CONTAINED ON THIS DRAWING IS PROPRIETARY TO ST. LOUIS MUSIC, INC.						
SIGNATURES:		DATE:		11880 Berman Dr. St. Louis, Missouri 63146		
DRAWN: REM		9/29/99		FIRST USED ON:		
CHK'D:				SVT-4 PRO		
RLS'D:				DRAWING TITLE:		
DRAWING SIZE: D		DRAWING TYPE:		PWR AMP SCH		
DRAWING TITLE:		CLASS CODE:		DRAWING NO.:		
DRAWING TYPE:		SCALE: NONE		07S428-XX		
CLASS CODE:		SHEET: 2 OF 3				
SCALE: NONE						



**NOTES**

- 1) CAUTION: SHOCK HAZARD!! THIS UNIT CONTAINS HAZARDOUS VOLTAGE. DISCONNECT POWER AND BE SURE POWER SUPPLY IS DISCHARGED BEFORE TOUCHING INTERNAL PARTS.
- 2) UNLESS NOTED, RESISTOR VALUES IN OHMS, 1/4W-5% TOL. CAPACITOR VALUES IN MICROFARADS, 50V-10% TOL.
- 3) VOLTAGES ARE MEASURED WITH 1 MEGOHM OSCILLOSCOPE AND 10 MEGOHM DIGITAL VOLTMETER.
- 4) CHASSIS GROUND  $\perp$  SIGNAL GROUND  $\nabla$  CIRCUIT GROUND  $\oplus$
- 5) 94-161-30 DID NOT HAVE EXTRA BLU/WHT PRIMARY XFMR LEAD.

**CAUTION:**

THIS SCHEMATIC IS PROVIDED FOR USE BY QUALIFIED PERSONNEL. TO AVOID RISK OF ELECTRICAL SHOCK, REFER SERVICING TO QUALIFIED SERVICE PERSONNEL. DO NOT PERFORM ANY SERVICING BEYOND THAT IN THE OPERATING INSTRUCTIONS.

TP	NO SIGNAL	40VRMS OUT @ 8 OHMS LIMITING @ 8 OHMS	AS NOTED	WAVEFORM
13	VARIES W/TEMP	Varies w/temp.	Varies w/temp.	---
14	61Vac	60Vac	60Vac	~
15	61Vac	60Vac	60Vac	~
16	+14Vdc	-4.6Vdc	-4.6Vdc	~
17	+14.4Vdc	+14.4Vdc	+14.4Vdc	~
18	20Vac	19Vac	19Vac	~
19	20Vac	19Vac	19Vac	~
20	+82Vdc	+76.3Vdc	+76.3Vdc	~
21	+83Vdc	+76Vdc	+76Vdc	~
22	-83Vdc	-76Vdc	-76Vdc	~
23	-82Vdc	-76.3Vdc	-76.3Vdc	~
24	+6Vdc	+5.73Vdc	+5.73Vdc	~
25	+288Vdc	+267.7Vdc	+266Vdc	~
26	+15Vdc	+15Vdc	+15Vdc	~
27	-15Vdc	-15Vdc	-15Vdc	~
28	+14.3Vdc	+14.3Vdc	+14.3Vdc	~

9	SEE SHT 1 FOR REV HISTORY					
REV:	DATE:	DESCRIPTION:	ECR/ECN NO:	CHNG'D BY:	APPR'D BY:	DATE:
THE INFORMATION CONTAINED ON THIS DRAWING IS PROPRIETARY TO ST. LOUIS MUSIC, INC.						
SIGNATURES:		DATE:		11880 Borman Dr. St. Louis, Missouri 63146		
DRAWN:	REM	9/29/99		<i>REM</i>		
CHK'D:		FIRST USED ON: SVT-4 PRO				
RLS'D:		DRAWING TITLE: PWR AMP SCH				
TOLERANCES:	DRAWING SIZE: D	DRAWING NO: 07S428-XX				
	DRAWING TYPE:	CLASS CODE:				
	SCALE: NONE	SHEET: 3 OF 3		DRAWING NO:		