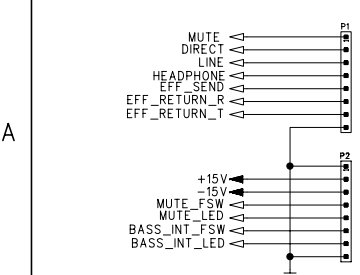


| REVISIONS | | | |
|-----------|-------------|-----------|----------|
| REV. | DESCRIPTION | DATE | APPROVED |
| A | PR632 | 30-JUL-04 | GMx |
| B | EC3147 | 30-SEP-04 | GMx |
| C | EC3174 | 07-JAN-05 | S.M.B. |



5. AC AND DC VOLTAGES READ TO GROUND WITH A DVM UNDER THE FOLLOWING CONDITIONS: VOLTAGES MAY VARY +/-20%:
 - UNIT OPERATING AT RATED LINE VOLTAGE +/-20%
 - ALL CONTROLS AT 50K. ALL SWITCHES "OUT" OR "OFF"
 - TP1-6 MEASURED WITH NO INPUT SIGNAL
 - TP7-22: 50mV, 1kHz SINE WAVE AT INSTRUMENT INPUT
 - FOR TP23 CONNECT 4 OHM LOAD AT SPEAKER OUTPUT

6. THIS SCHEMATIC IS FOR PCB ASSEMBLY P/N 0064746000 AND PCB FAB P/N 0064745000
 4. ALL DIODES ARE 1N4448A
 3. ALL POLARIZED CAPACITORS IN uF, 20% OR BETTER; 50V MINIMUM.
 2. ALL UNPOLARIZED CAPACITORS IN uF, 10% OR BETTER; 50V MINIMUM. (POWER SUPPLY BYPASS CAPACITORS ARE 20%).
 1. ALL RESISTORS IN OHMS, 5% 1/4W

NOTES: (UNLESS OTHERWISE NOTED)

THIS DOCUMENT CONTAINS INFORMATION OF A PROPRIETARY NATURE TO FENDER MUSICAL INSTRUMENTS AND IS SUBMITTED TO YOU IN CONFERENCE AND SHALL NOT BE DISCLOSED OR TRANSMITTED TO OTHERS WITHOUT AUTHORIZATION FROM FENDER MUSICAL INSTRUMENTS.

CHECKED BY: _____
 DATE: _____
 APPROVED BY: _____
 DATE: _____

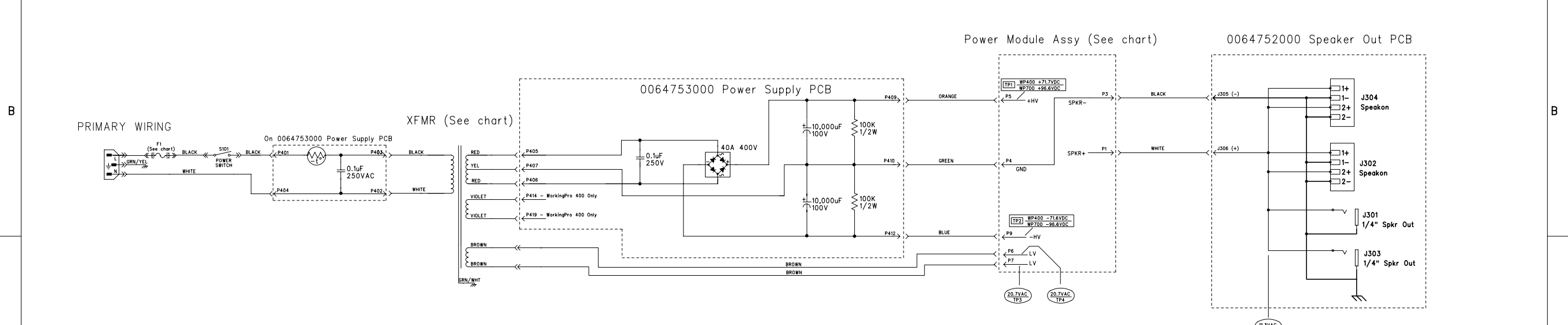
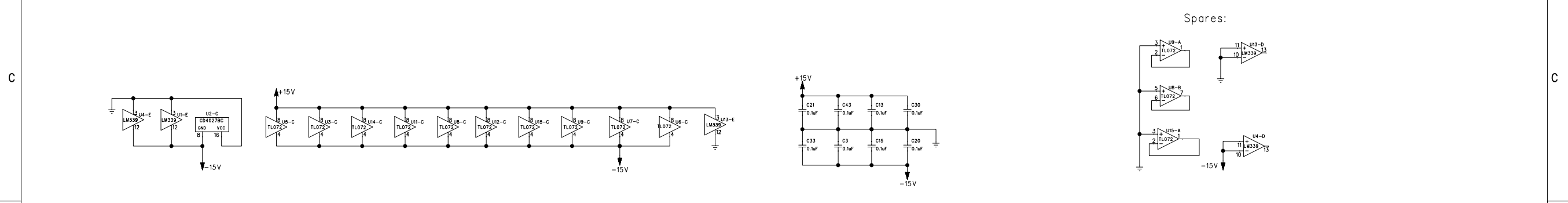
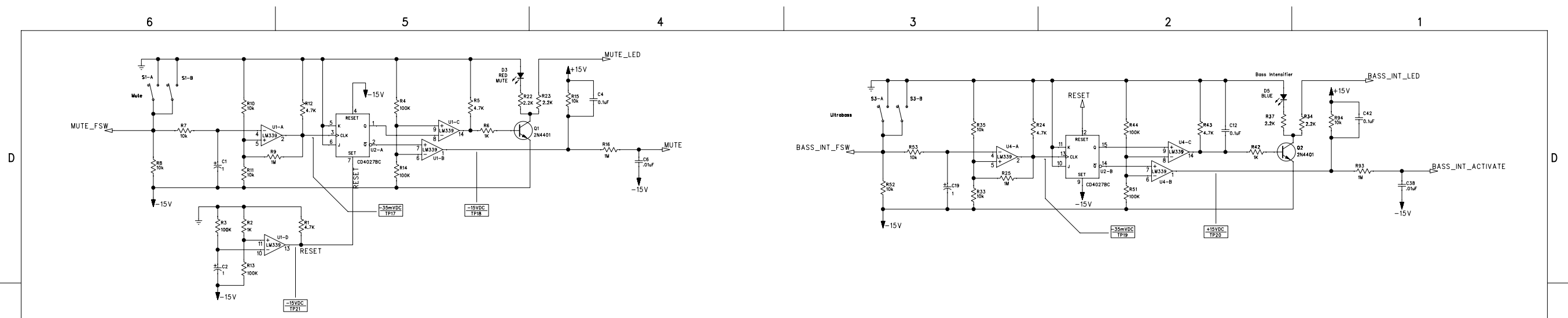
DRAWN: G.McMillan ENGR: S.Bankhead
 DATABASE FILE: Z632P1B.SCH

SWR
 Corona, CA U.S.A.

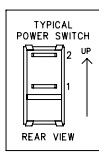
TITLE: SERVICE DIAGRAM, (schematic)
 WORKINGPRO AMPLIFIERS
 PREAMP

SIZE DRAWING NUMBER REV.
 D 0064747000 C

RELEASE DATE: 30-JUL-04 SHEET: 1 OF 5



| MODEL | VOLTAGE | TRANSFORMER | F1 FUSE RATING | POWER MODULE |
|----------------|---------|-------------|----------------|--------------|
| WorkingPro 700 | 100V | 0064819000 | T15A 250V 3AG | 0064754000 |
| | 120V | 0064818000 | T15A 250V 3AG | 0064754000 |
| | 230V | 0064817000 | T8A 250V 5mm | 0064754000 |
| WorkingPro 400 | 100V | 0064823000 | T8A 250V 5mm | 0064714000 |
| | 120V | 0064821000 | T8A 250V 5mm | 0064714000 |
| | 230V | 0064822000 | T4A 250V 5mm | 0064714000 |



1. SEE SHEET 1 FOR TEST CONDITIONS
 NOTES: (UNLESS OTHERWISE NOTED)

THIS DOCUMENT CONTAINS INFORMATION OF A PROPRIETARY NATURE TO FENDER MUSICAL INSTRUMENTS AND IS LOANED TO YOU IN CONFIDENCE AND SHALL NOT BE DISCLOSED OR TRANSMITTED TO OTHERS WITHOUT AUTHORIZATION FROM FENDER MUSICAL INSTRUMENTS.

CHECKED BY: _____
 DATE: _____
 APPROVED BY: _____
 DATE: _____
 DRAWN: G.McMillan [ENGR: S.Bankhead]
 DATABASE FILE: 2632P1B.SCH

SWR
 Corona, CA U.S.A.

TITLE: SERVICE DIAGRAM, COMBINED (schematic)
 WORKINGPRO AMPLIFIERS
 PREAMP & CHASSIS WIRING

SIZE: **D** DRAWING NUMBER: **0064747000** REV: **C**

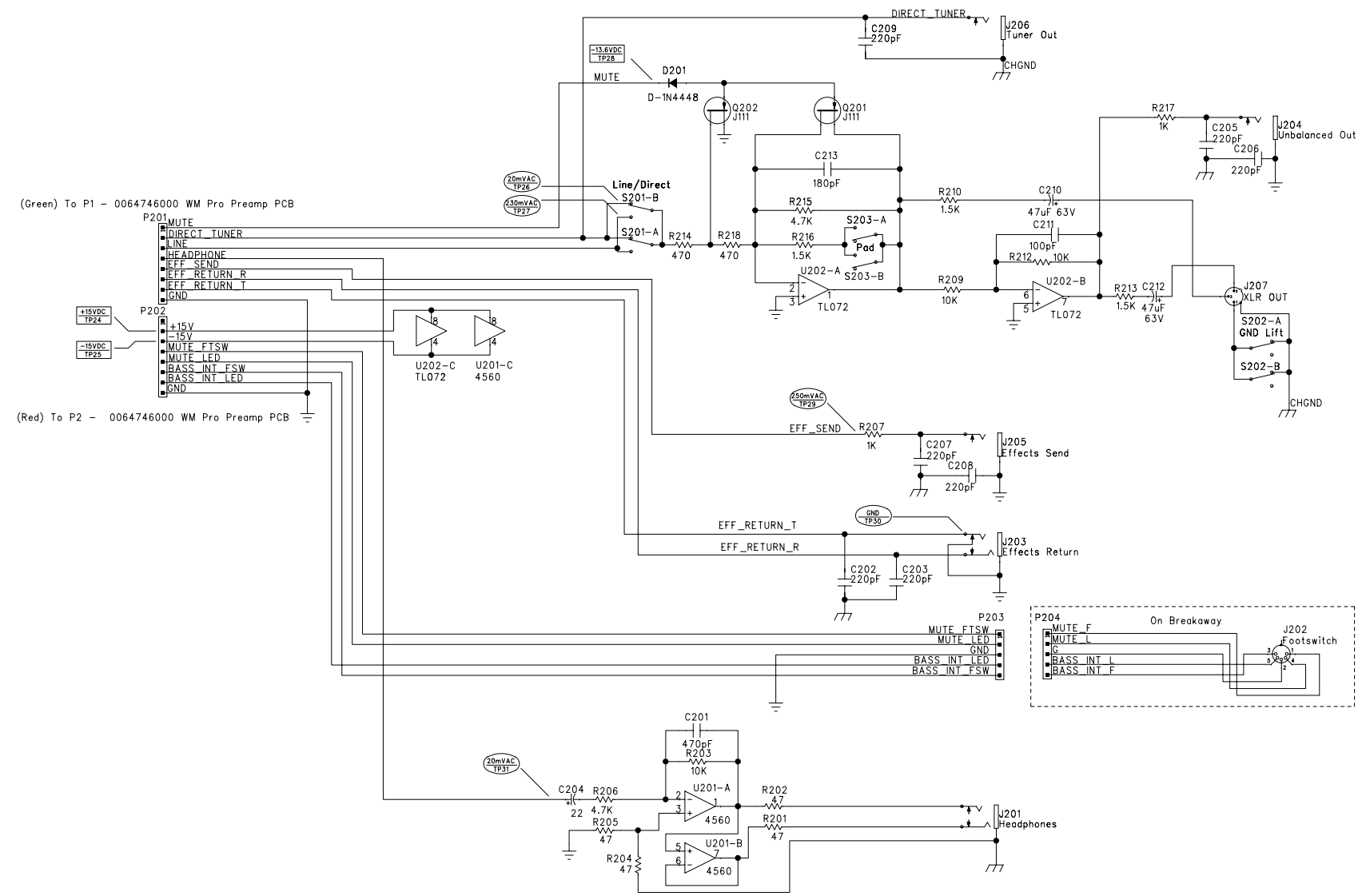
RELEASE DATE: 30-JUL-04 SHEET: 2 OF 5

8 7 6 5 4 3 2 1

| REVISIONS | | | |
|-----------|-------------|-----------|----------|
| REV. | DESCRIPTION | DATE | APPROVED |
| A | PR632 | 30 JUL 04 | GMx |
| B | EC3147 | 30 SEP 04 | GMx |
| C | EC3174 | 07 JAN 05 | S.M.B. |

D
C
B
A

D
C
B
A



(Green) To P1 - 0064746000 WM Pro Preamp PCB

(Red) To P2 - 0064746000 WM Pro Preamp PCB

- 5. SEE SHEET 1 FOR TEST CONDITIONS
 - 4. THIS SCHEMATIC IS FOR PCB ASSY P/N 0064749000 AND PCB FAB P/N 0064748000
 - 3. ALL DIODES ARE 1N4448
 - 2. ALL UNPOLARIZED CAPACITORS IN uF, 10% OR BETTER, 50V MINIMUM
 - 1. All resistors are 1/4 Watt 5%
- NOTES: (UNLESS OTHERWISE NOTED)

| | | |
|--|--|---|
| <small>THIS DOCUMENT CONTAINS INFORMATION OF A PROPRIETARY NATURE TO FENDER MUSICAL INSTRUMENTS AND IS SUBMITTED TO YOU IN CONFIDENCE AND SHALL NOT BE DISCLOSED OR TRANSMITTED TO OTHERS WITHOUT AUTHORIZATION FROM FENDER MUSICAL INSTRUMENTS.</small> | | SWR Corona, CA U.S.A. |
| CHECKED BY: _____ DATE: _____ APPROVED BY: _____ DATE: _____ DRAWN: G.McMillan ENGR: S.Bankhead DATABASE FILE: Z632P2B.SCH | | |
| TITLE: SERVICE DIAGRAM, (schematic) WORKINGPRO AMPLIFIERS AUDIO I/O PCB | | REV. _____ DRAWING NUMBER D 0064747000 |
| RELEASE DATE: 30-JUL-04 SHEET: 3 OF 5 Last Update: 4-Oct-04 1 | | REV. _____ C |

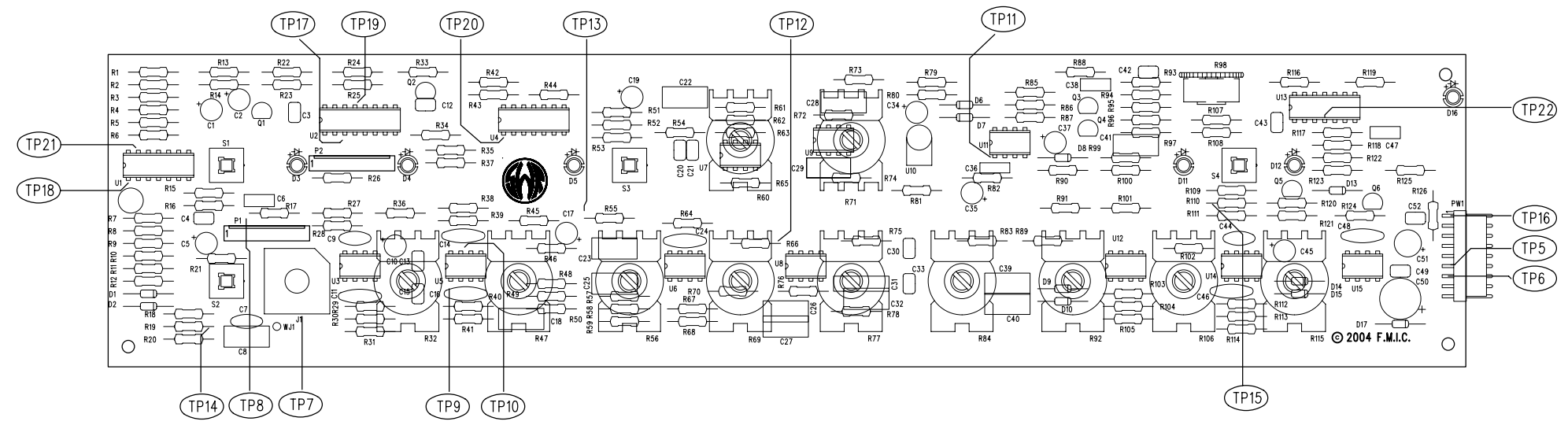
8 7 6 5 4 3 2 1

8 | 7 | 6 | 5 | 4 | 3 | 2 | 1

| REVISIONS | | | |
|-----------|-------------|-----------|----------|
| REV. | DESCRIPTION | DATE | APPROVED |
| A | PR632 | 30-JUL-04 | GMx |
| B | EC3147 | 30-SEP-04 | GMx |
| C | EC3174 | 07-JAN-05 | S.M.B. |


D
C
B
A

D
C
B
A



FILM/DWG: SERVICE DIAGRAM
 DATABASE: Z632P1B.PCB DATE: 15-Sep-04

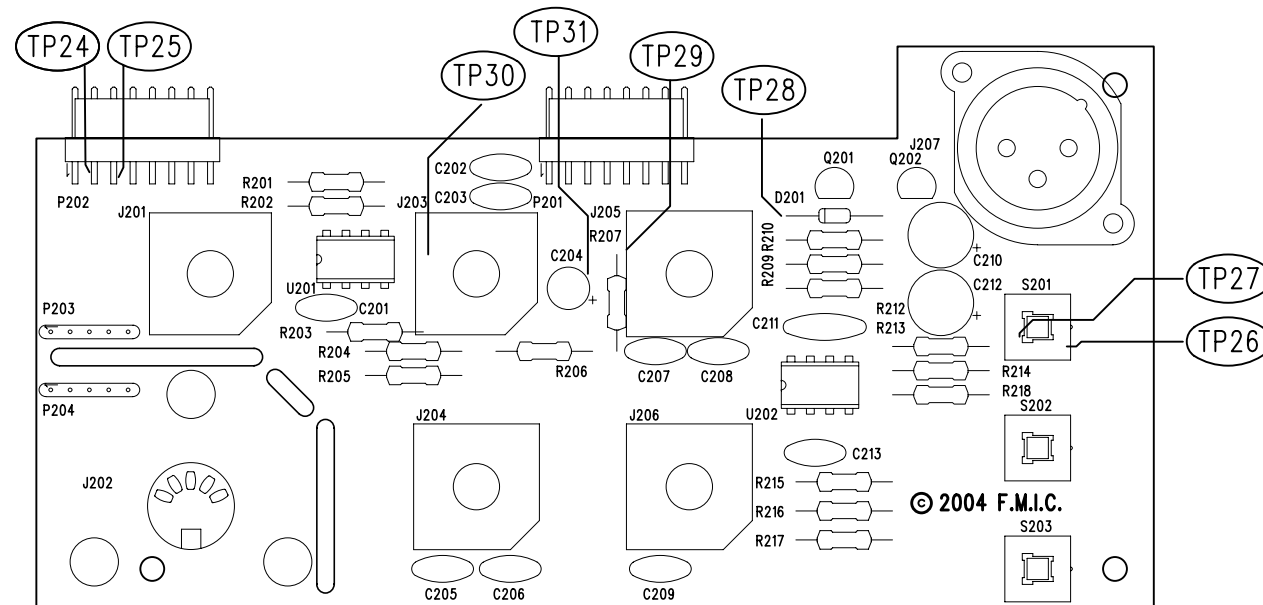
Unless otherwise noted:
 1. SEE SHEET 1 FOR TEST CONDITIONS & TEST POINT VALUES

| | | |
|---|--|--|
| THIS DOCUMENT CONTAINS INFORMATION OF A PROPRIETARY NATURE TO FENDER MUSICAL INSTRUMENTS AND IS SUBMITTED TO YOU IN CONFIDENCE AND SHALL NOT BE DISCLOSED OR TRANSMITTED TO OTHERS WITHOUT AUTHORIZATION FROM FENDER MUSICAL INSTRUMENTS. | |  SWR Corona, CA U.S.A. |
| CHECKED BY: _____ DATE: _____ | | |
| APPROVED BY: _____ DATE: _____ | | TITLE: SERVICE DIAGRAM, COMBINED (PCB assy) SWR - Working Pro Preamp PCB |
| DRAWN: G McMillan ENGR: S Bankhead DATABASE FILE: Z632P1B.PCB | SIZE: C DRAWING NUMBER: 0064747000 | REV. C RELEASE DATE: 30-JUL-04 SHEET 4 OF 5 |

8 | 7 | 6 | 5 | 4 | 3 | 2 | 1

REVISIONS


| REV. | DESCRIPTION | DATE | APPROVED |
|------|-------------|-----------|----------|
| A | PR632 | 30-JUL-04 | GMx |
| B | EC3147 | 30-SEP-04 | GMx |
| C | EC3174 | 07-JAN-05 | S.M.B. |



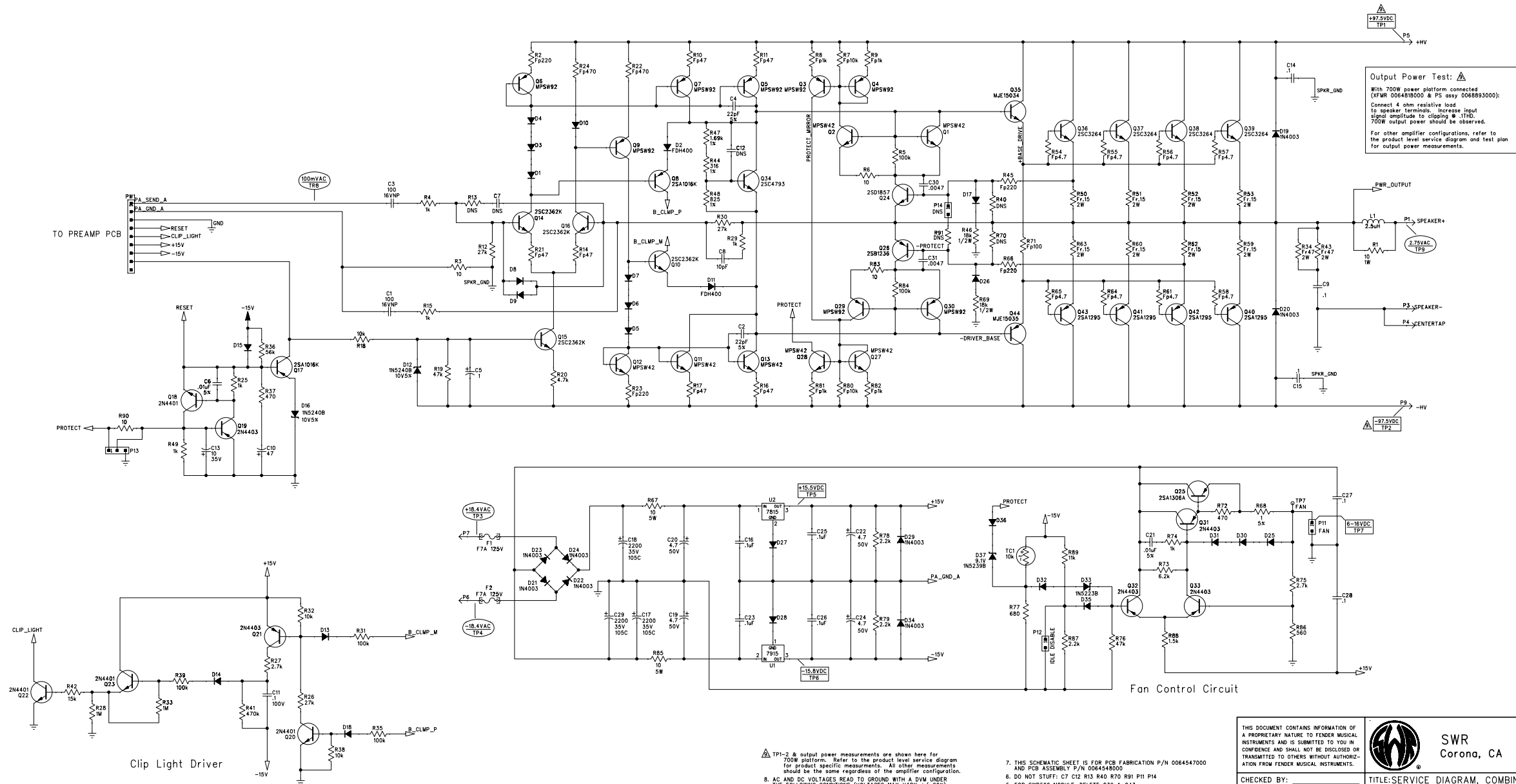
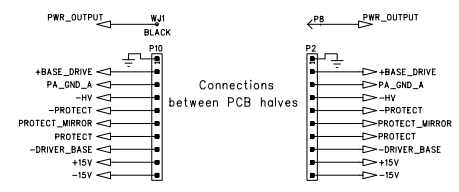
| |
|---------------------------------------|
| FILM/DWG: SERVICE DIAGRAM |
| DATABASE: Z632P2B.PCB DATE: 14-Sep-04 |

1. SEE SHEET 1 FOR TEST CONDITIONS & TEST POINT VALUES

NOTES: (UNLESS OTHERWISE NOTED)

| | | | |
|--|-------------------------|--|--------------------------------------|
| <p>THIS DOCUMENT CONTAINS INFORMATION OF A PROPRIETARY NATURE TO FENDER MUSICAL INSTRUMENTS AND IS SUBMITTED TO YOU IN CONFIDENCE AND SHALL NOT BE DISCLOSED OR TRANSMITTED TO OTHERS WITHOUT AUTHORIZATION FROM FENDER MUSICAL INSTRUMENTS.</p> | |  <p>SWR Corona, CA U.S.A.</p> | |
| <p>CHECKED BY: _____ DATE: _____</p> | | <p>TITLE: SERVICE DIAGRAM, COMBINED (PCB assy) WorkingPro AMPLIFIERS AUDIO I/O PCB</p> | |
| <p>APPROVED BY: _____ DATE: _____</p> | | <p>SIZE B</p> | <p>DRAWING NUMBER 0064747000</p> |
| <p>DRAWN: G.McMillan</p> | <p>ENGR: S.Bankhead</p> | <p>RELEASE DATE: 30-JUL-04</p> | <p>REV. C</p> |
| <p>DATABASE FILE: Z632P2B.PCB</p> | | <p>SHEET 5 OF 5</p> | <p>5</p> |

| REVISIONS | | | |
|-----------|-------------|-----------|----------|
| REV. | DESCRIPTION | DATE | APPROVED |
| A | PR632 | 30-JUL-04 | B H |
| B | EC3147 | 30-SEP-04 | S.M.B. |
| C | EC3174 | 07-JAN-05 | S.M.B. |
| D | EC3213 | 14-APR-05 | S.M.B. |



Output Power Test:
 With 700W power platform connected (XPR 006483000 & PS Assy 006893000):
 Connect 4 ohm resistive load to speaker terminals. Increase input signal amplitude to clipping @ 1THD. 700W output power should be observed.
 For other amplifier configurations, refer to the product level service diagram and test plan for output power measurements.

Clip Light Driver

Fan Control Circuit

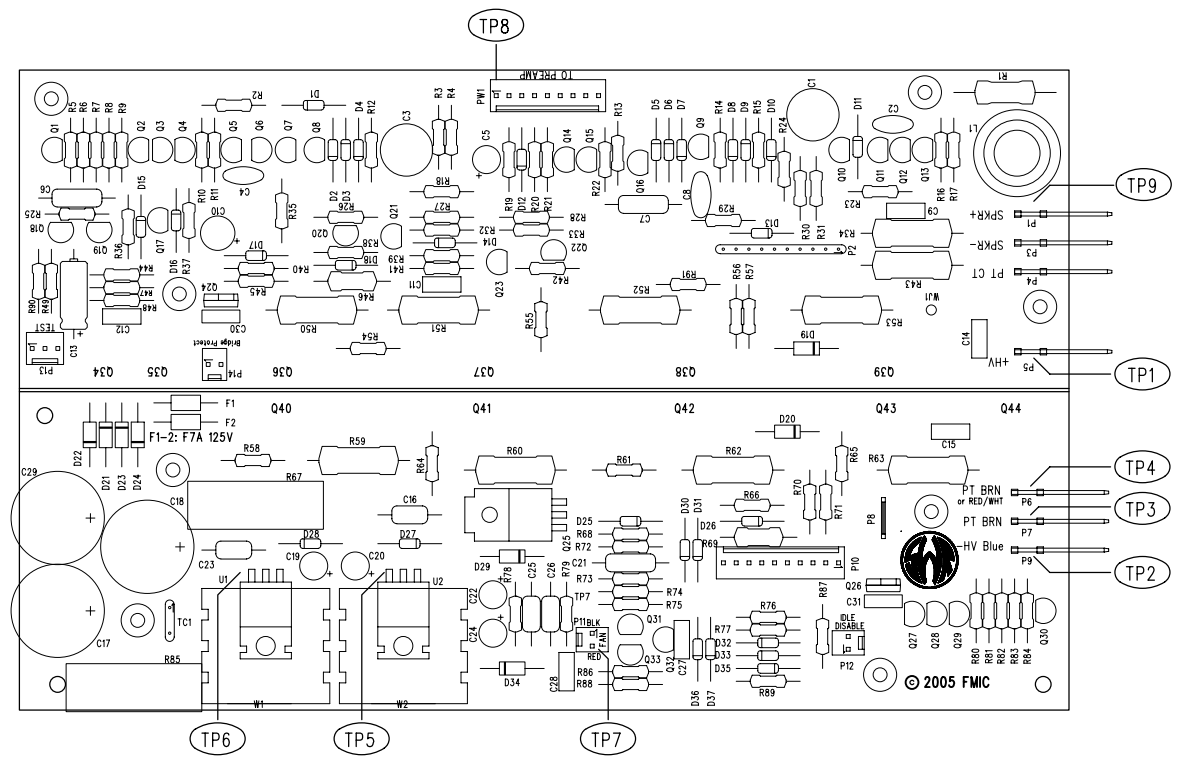
- TP1-2 & output power measurements are shown here for 700W platform. Refer to the product level service diagram for product specific measurements. All other measurements should be the same regardless of the amplifier configuration.
- AC AND DC VOLTAGES READ TO GROUND WITH A DVM UNDER THE FOLLOWING CONDITIONS (VOLTAGES MAY VARY +/-20%):
 - POWER SUPPLY CONNECTED AS APPROPRIATE FOR THE INTENDED PRODUCT USAGE. (SEE NOTE #9)
 - DC SUPPLY TO BE OPERATING AT RATED LINE VOLTAGE
 - TEST POINTS TP1-4 MEASURED WITH NO INPUT SIGNAL
 - TEST POINT 7 VARIES WITHIN THE SPECIFIED RANGE DEPENDING ON THE TEMPERATURE OF THE HEATSINK
 - TEST POINTS TP8-9 MEASURED WITH:
 100mV RMS SINEWAVE AT 90° PHASE TO SIGNAL GND AT PW 2
 4 OHM RESISTIVE LOAD BETWEEN P1-P3
 - THIS SCHEMATIC SHEET IS FOR PCB FABRICATION P/N 0064547000 AND PCB ASSEMBLY P/N 0064548000
 - DO NOT STUFF: C7 C12 R13 R40 R70 R31 P11 P14
 - FOR SWR500 MODULE, DELETE Q39 & Q43
 - ALL DIODES 1N4448.
 - ALL POLARIZED CAPACITORS IN μF, 20%; 50V MINIMUM.
 - ALL UNPOLARIZED CAPACITORS IN μF, 10% OR BETTER; 50V MINIMUM. (POWER SUPPLY BYPASS CAPACITORS ARE 20%).
 - ALL RESISTORS IN OHMS, 5%; 1/4W.
- NOTES: (UNLESS OTHERWISE NOTED)

| | | |
|---|-------|--|
| THIS DOCUMENT CONTAINS INFORMATION OF A PROPRIETARY NATURE TO FENDER MUSICAL INSTRUMENTS AND IS SUBMITTED TO YOU IN CONFIDENCE AND SHALL NOT BE DISCLOSED OR TRANSMITTED TO OTHERS WITHOUT AUTHORIZATION FROM FENDER MUSICAL INSTRUMENTS. | | SWR Corona, CA U.S.A. |
| TITLE: SERVICE DIAGRAM, COMBINED (schematic) SWR 500/1000 POWER AMP | | |
| CHECKED BY: | DATE: | REV. |
| APPROVED BY: | DATE: | D |
| DRAWN: W. HUGHES [ENGR: W. HUGHES] | | DRAWING NUMBER 0064549000 |
| DATABASE FILE: w632s.sch | | RELEASE DATE: 29-JUL-04 SHEET: 1 OF 2 |

8 7 6 5 4 3 2 1


| REVISIONS | | | |
|-----------|-------------|-----------|----------|
| REV. | DESCRIPTION | DATE | APPROVED |
| A | PR632 | 30-JUL-04 | S.M.B. |
| B | EC3147 | 30-SEP-04 | S.M.B. |
| C | EC3174 | 07-JAN-05 | S.M.B. |
| D | EC3213 | 14-APR-05 | S.M.B. |

D
C
B
A



FILM/DWG: SERVICE DIAGRAM
 DATABASE: z632p5.PCB DATE: 14-APR-05

1. SEE SHEET 1 FOR TEST CONDITIONS & TEST POINT VALUES
 NOTES: (UNLESS OTHERWISE NOTED)

| | | | |
|---|-------------------------|---|------------------------------|
| THIS DOCUMENT CONTAINS INFORMATION OF A PROPRIETARY NATURE TO FENDER MUSICAL INSTRUMENTS AND IS SUBMITTED TO YOU IN CONFIDENCE AND SHALL NOT BE DISCLOSED OR TRANSMITTED TO OTHERS WITHOUT AUTHORIZATION FROM FENDER MUSICAL INSTRUMENTS. | |  SWR Corona, CA U.S.A. | |
| CHECKED BY: _____ DATE: _____ | | TITLE: SERVICE DIAGRAM, COMBINED (PCB assy) SWR 500/1000 POWER AMP | |
| APPROVED BY: _____ DATE: _____ | | SIZE C | DRAWING NUMBER 0064549000 |
| DRAWN: R.MURRAY ENGR: B.HUGHES DATABASE FILE: z632p5.PCB | RELEASE DATE: 30-JUL-04 | SHEET 2 OF 2 | REV. D |

8 7 6 5 4 3 2 1