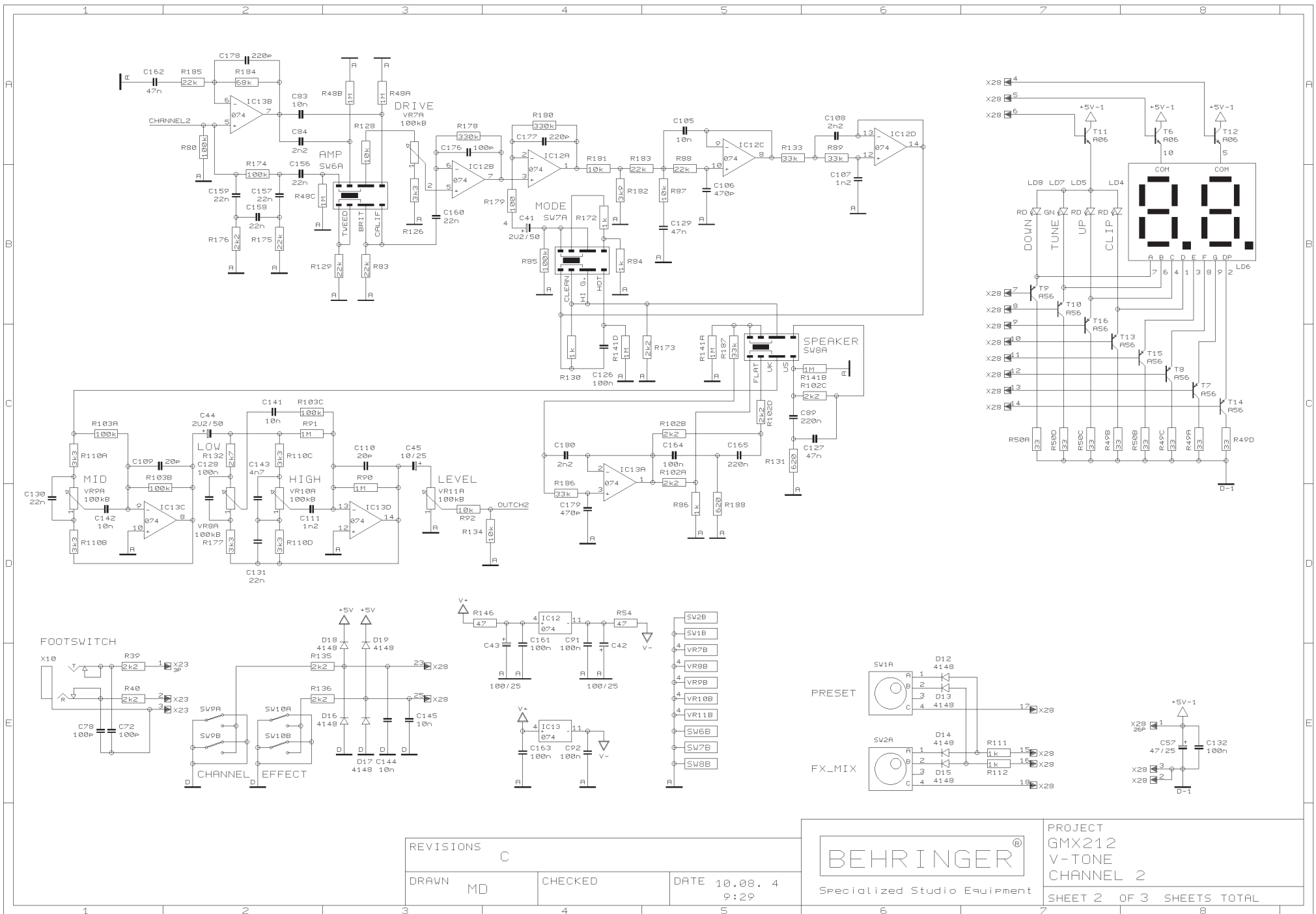


REVISIONS		
C (04/07/03)		
DRAWN	CHECKED	DATE
MD		10.08. 4 9:29

  
 Specialized Studio Equipment

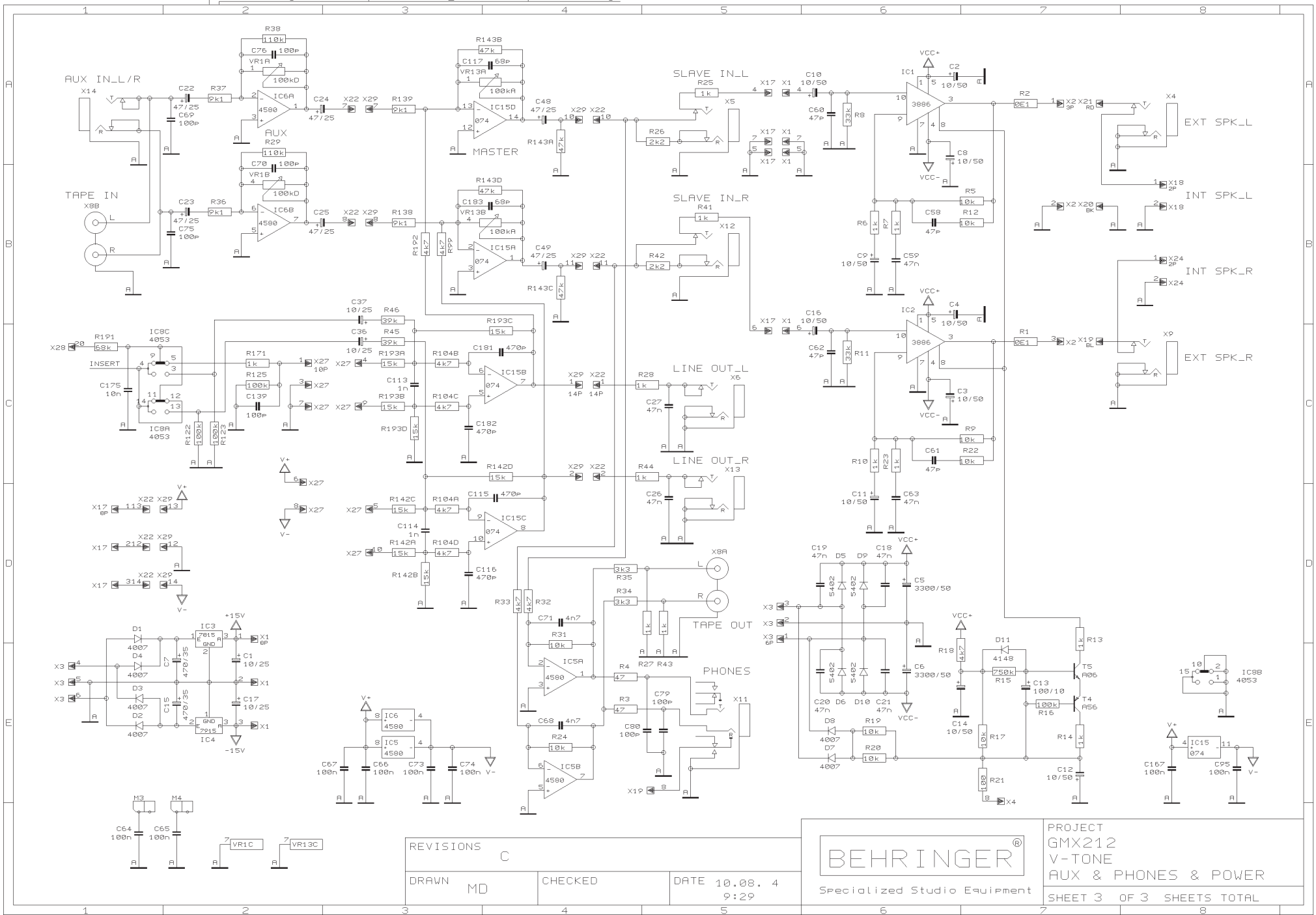
PROJECT  
 GMX212  
 V-TONE  
 INPUT/CHANNEL 1  
 SHEET 1 OF 3 SHEETS TOTAL



REVISIONS		C	
DRAWN	MD	CHECKED	DATE 10.08. 4 9:29



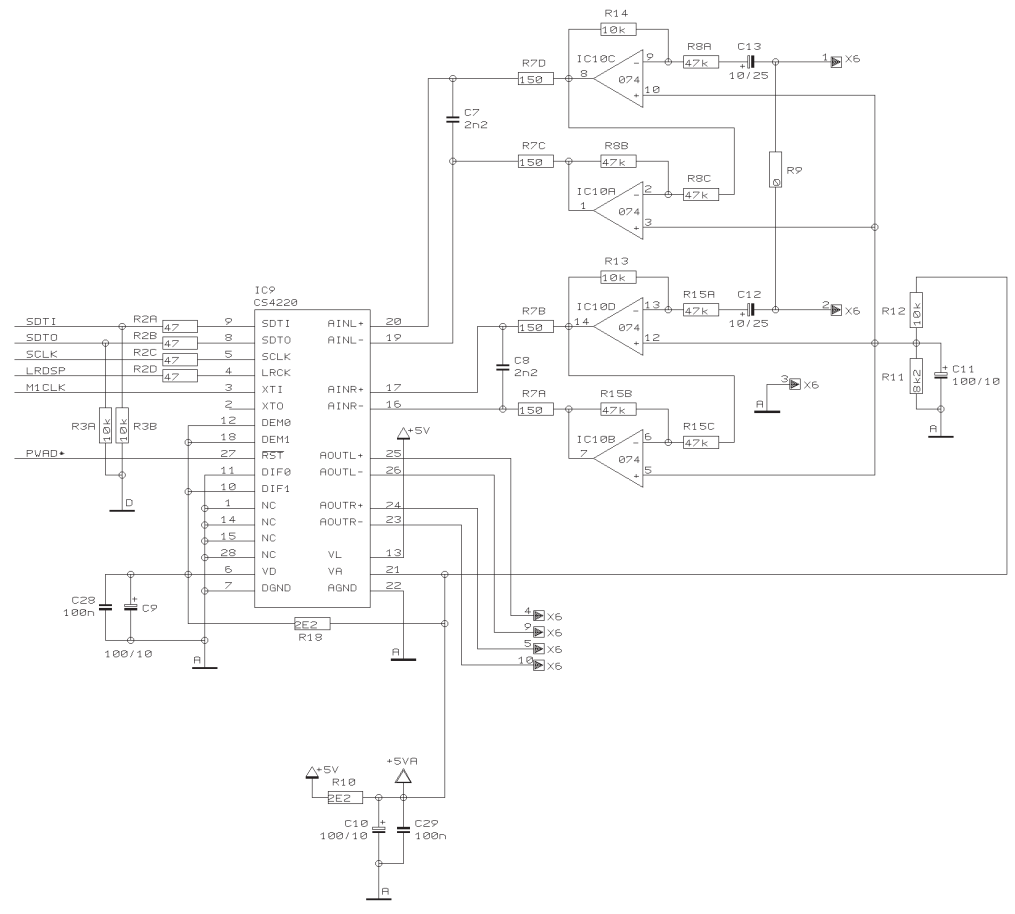
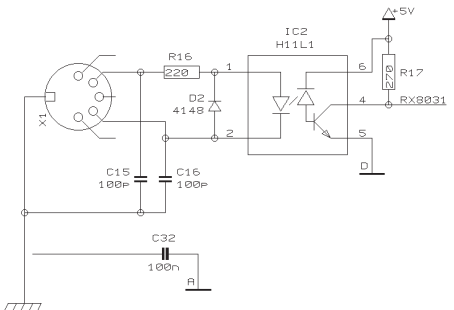
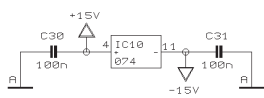
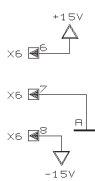
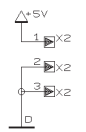
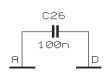
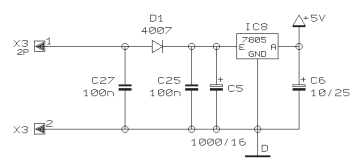
PROJECT  
GMX212  
V-TONE  
CHANNEL 2  
SHEET 2 OF 3 SHEETS TOTAL



REVISIONS		
C		
DRAWN MD	CHECKED	DATE 10.08. 4 9:29



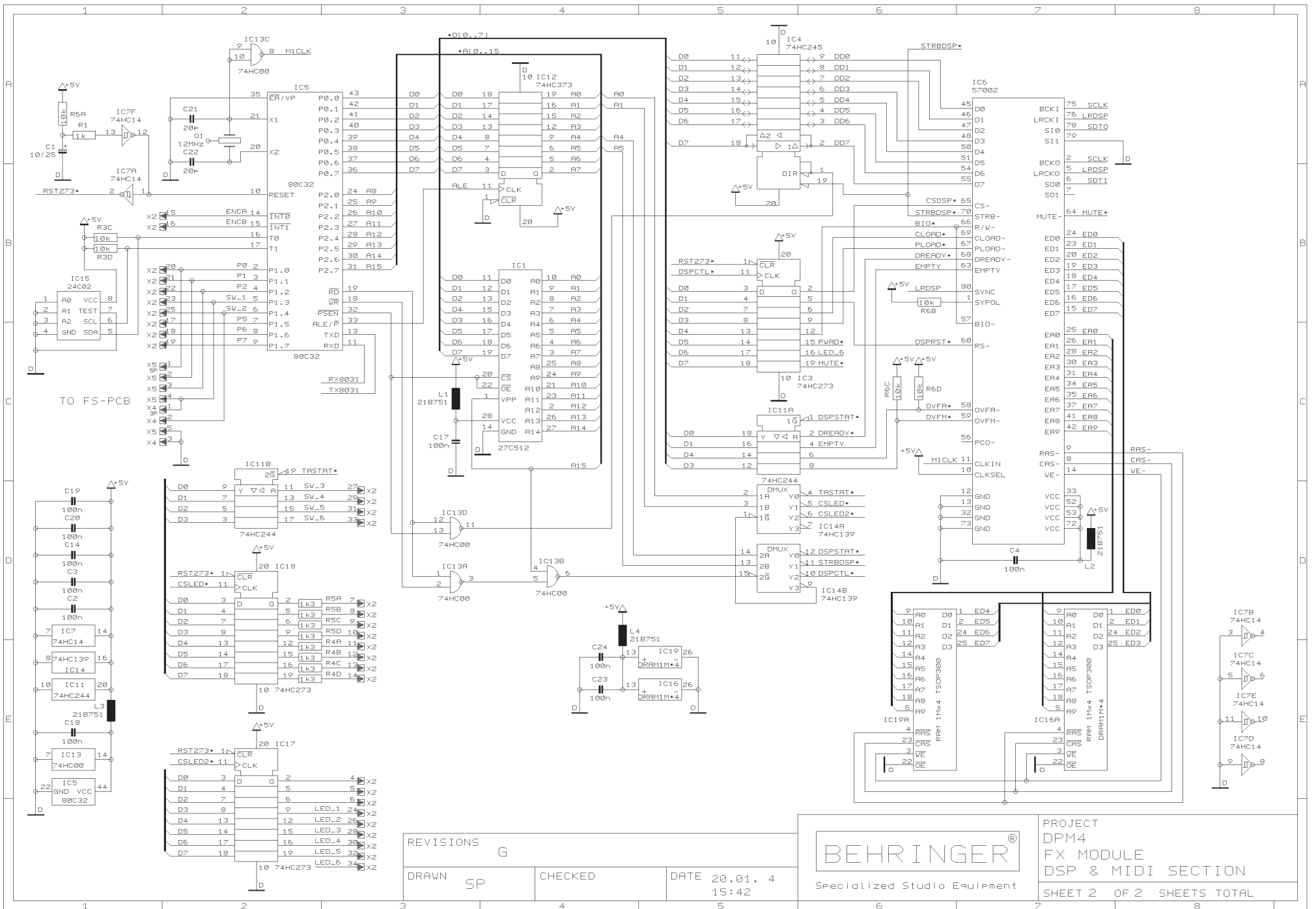
PROJECT  
GMX212  
V-TONE  
AUX & PHONES & POWER  
SHEET 3 OF 3 SHEETS TOTAL



REVISIONS		
G (07/07/03)		
DRAWN	CHECKED	DATE
SP		20.01. 4 15:42

**BEHRINGER**<sup>®</sup>  
Specialized Studio Equipment

PROJECT  
DPM4  
FX MODULE  
I/O SECTION  
SHEET 1 OF 2 SHEETS TOTAL



REVISIONS G

DRAWN SP

CHECKED

DATE 20.01. 4  
15:42



PROJECT  
DPM4  
FX MODULE  
DSP & MIDI SECTION  
SHEET 2 OF 2 SHEETS TOTAL