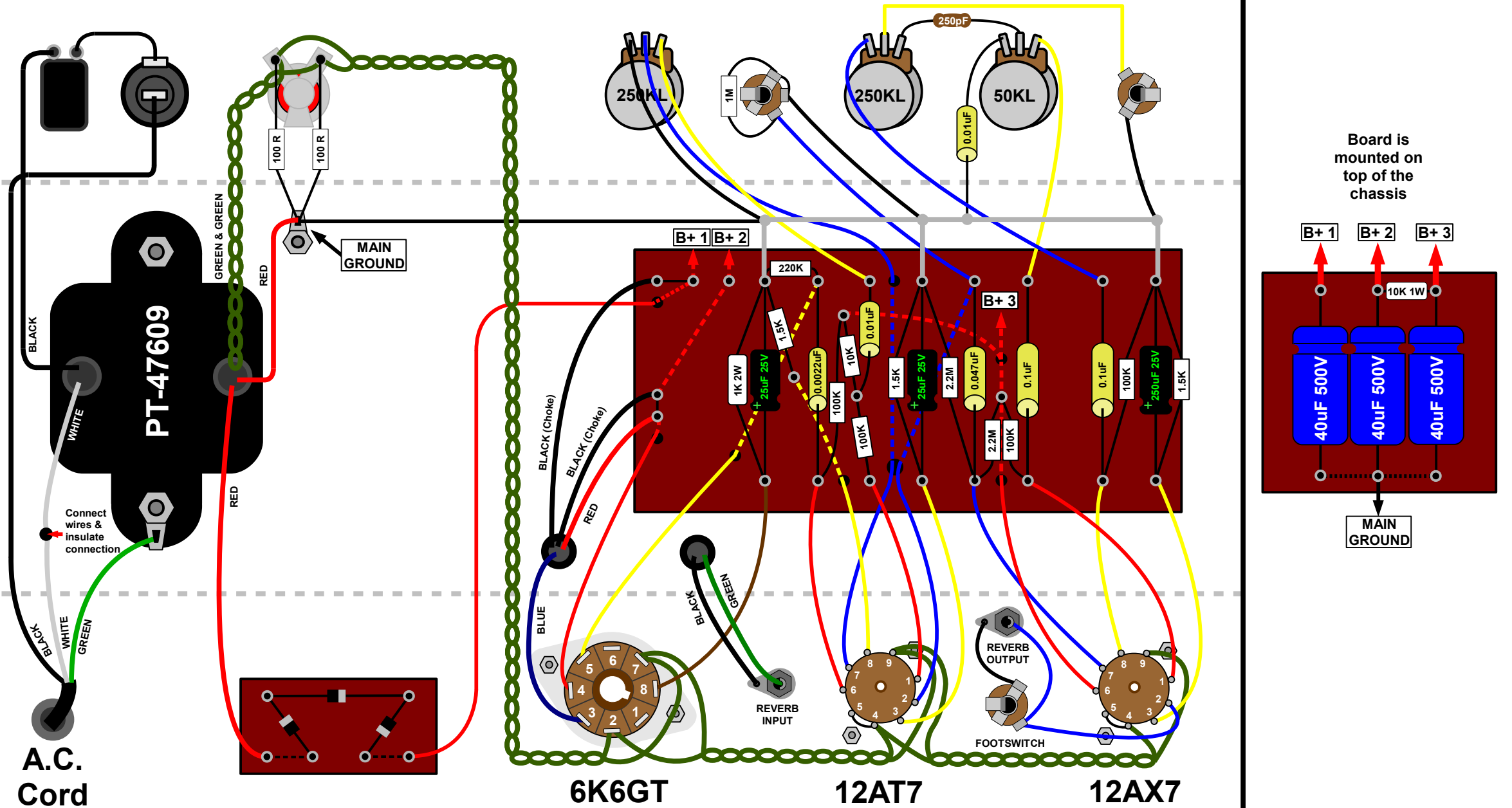


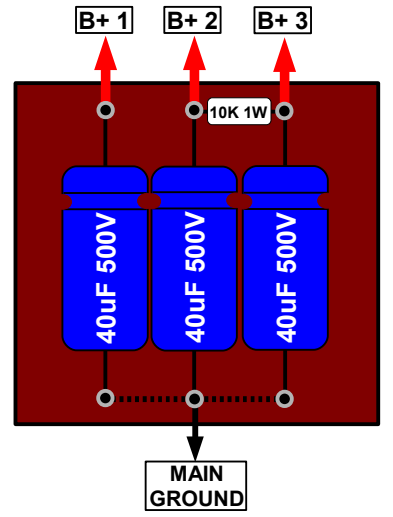
TRIODE ELECTRONICS 6G15 Tube Reverb Layout

120V Operation w/ PT-47609 Power Transformer

Power Fuse 1A Pilot Light Dwell Input Mixer Tone Output



Board is mounted on top of the chassis



Notes:

- *Twist (Green) Filament Wires together tightly.
- *Check Polarity (+ & -) of all Electrolytic Capacitors.
- *All Resistors are 1/2W unless noted.
- *Power Transformer: PT-47609
- *Driver Transformer: OT-47605
- *Choke: 40-18040

*For Technical Questions or Comments, Email us at: tech@triodestore.com

PINOUTS

