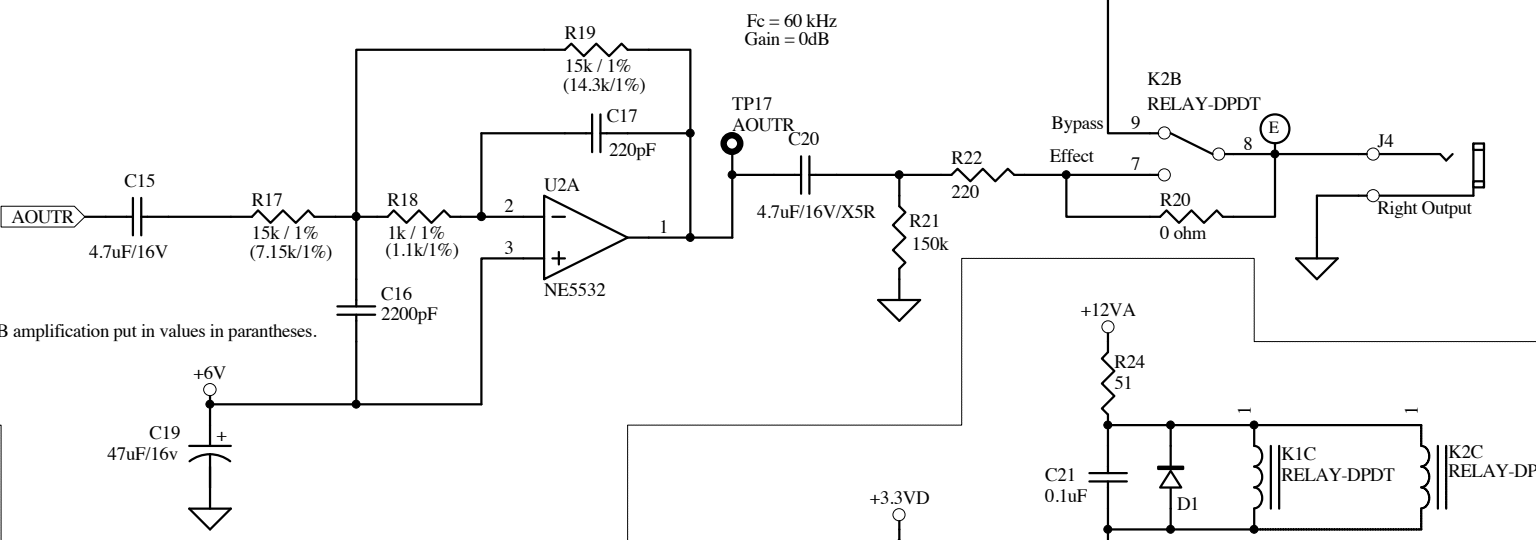
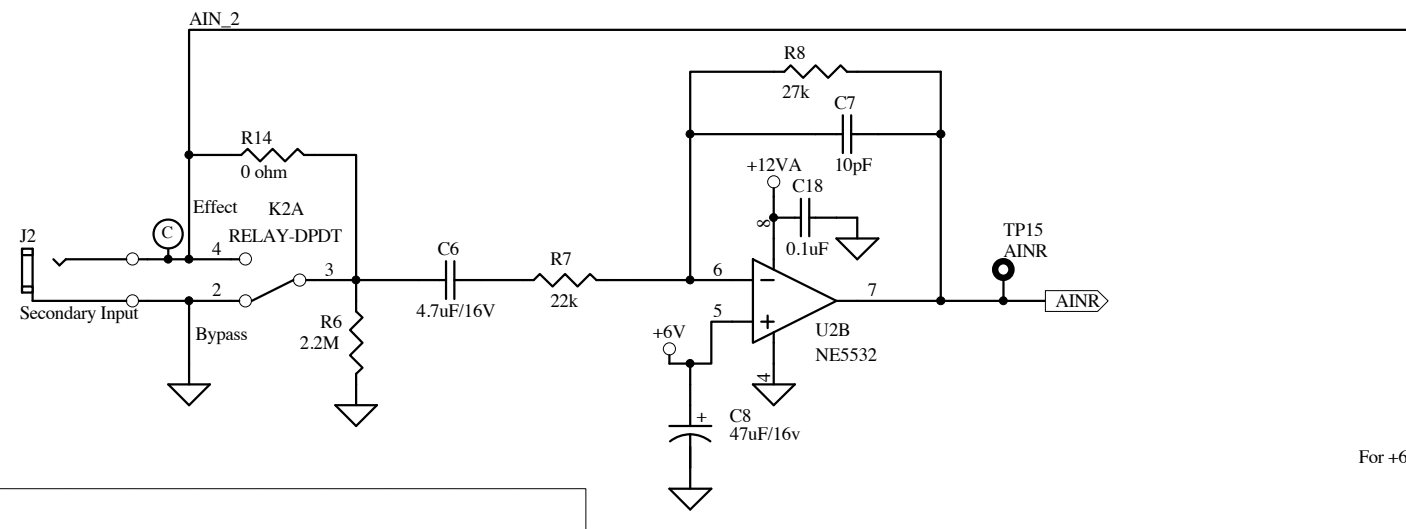


OMIT Secondary Input Section From Production.



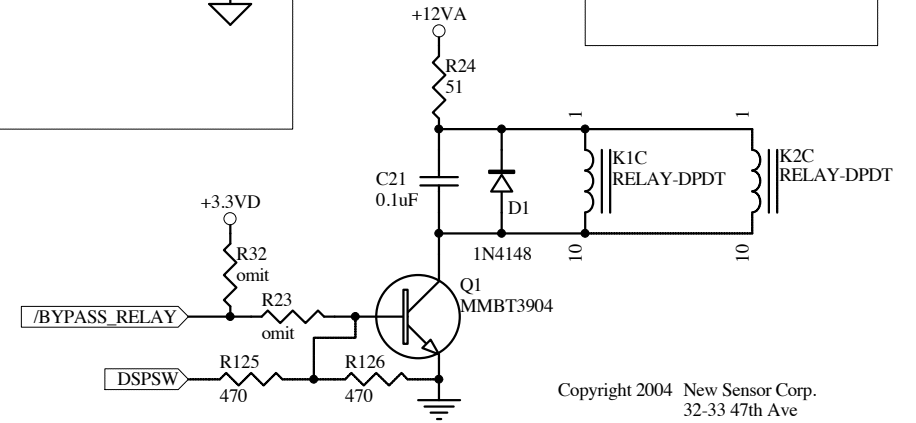
- EC-0070rA_codecs+PWR
- EC-0070rA_codecs+PWR.Sch
- DIG_AUD_OUT
- DIG_AUD_IN
- AUD_MCLK
- AUD_SCLK
- AUD_LRCK
- AINL
- AOUTL
- AOUTR
- /RST_CODEC
- AINR

- EC-0070rA_DSP
- EC-0070rA_DSP.Sch
- /RST_DSP
- AUD_MCLK
- AUD_SCLK
- AUD_LRCK
- DIG_AUD_OUT
- DIG_AUD_IN
- SPI_DI
- SPI_DO
- /CS_DSP
- /DSP_HREQ
- SPI_CLK
- MCLK
- LED2
- AA0/RAS0
- AA1/RAS1
- /CAS
- /RD
- /WR
- LED3
- LED4
- DSPSW

- EC-0070rA_DSP_Memory
- EC-0070rA_DSP_Memory.Sch
- AA0/RAS0
- /CAS
- /RD
- /WR
- AA1/RAS1
- /CAS
- /RD
- /WR
- AA0/RAS0
- AA1/RAS1
- /CAS
- /RD
- /WR
- LED3
- LED4
- DSPSW

- EC-0070rA_uController
- EC-0070rA_uController.Sch
- SPL_CLK
- SPL_DI
- SPL_DO
- /CS_DSP
- /DSP_HREQ
- MCLK
- AUD_MCLK
- /BYPASS_SYS
- /RST_CODEC
- /RST_DSP
- Vpp
- /BYPASS_RELAY
- CV_AUX
- CV_IN2
- CV_IN1
- DSPSW

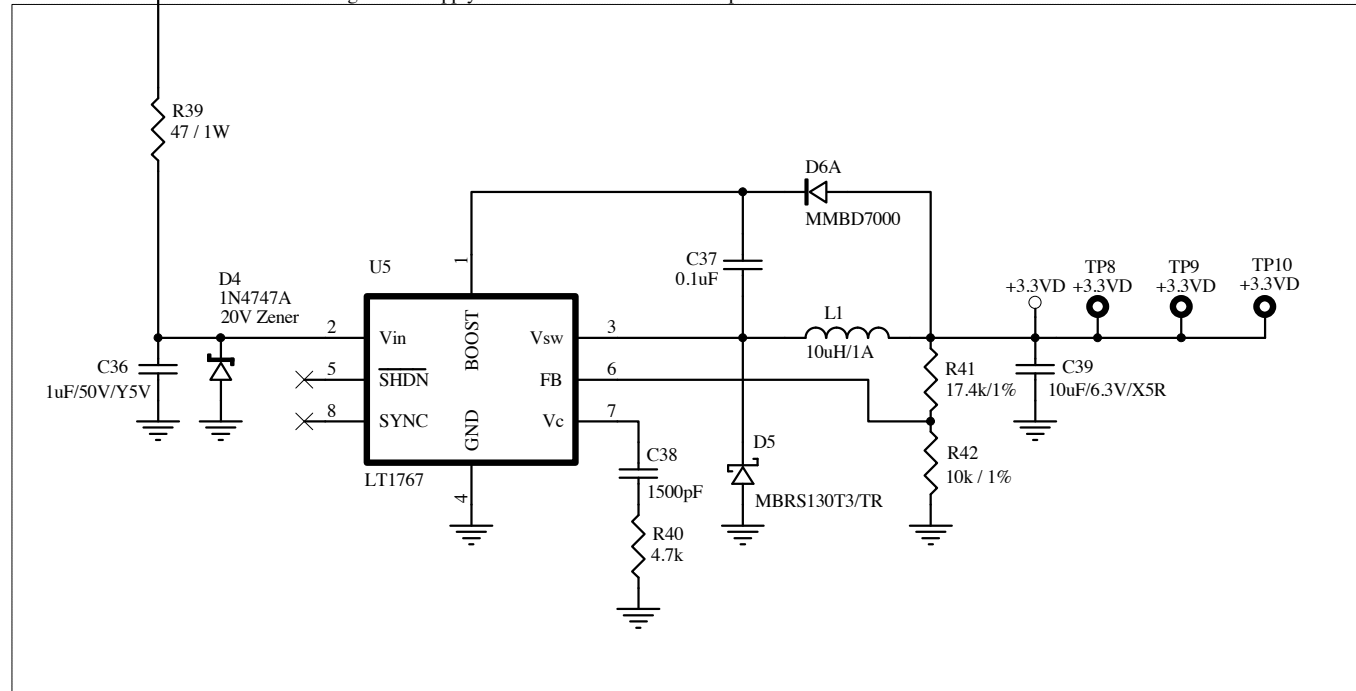
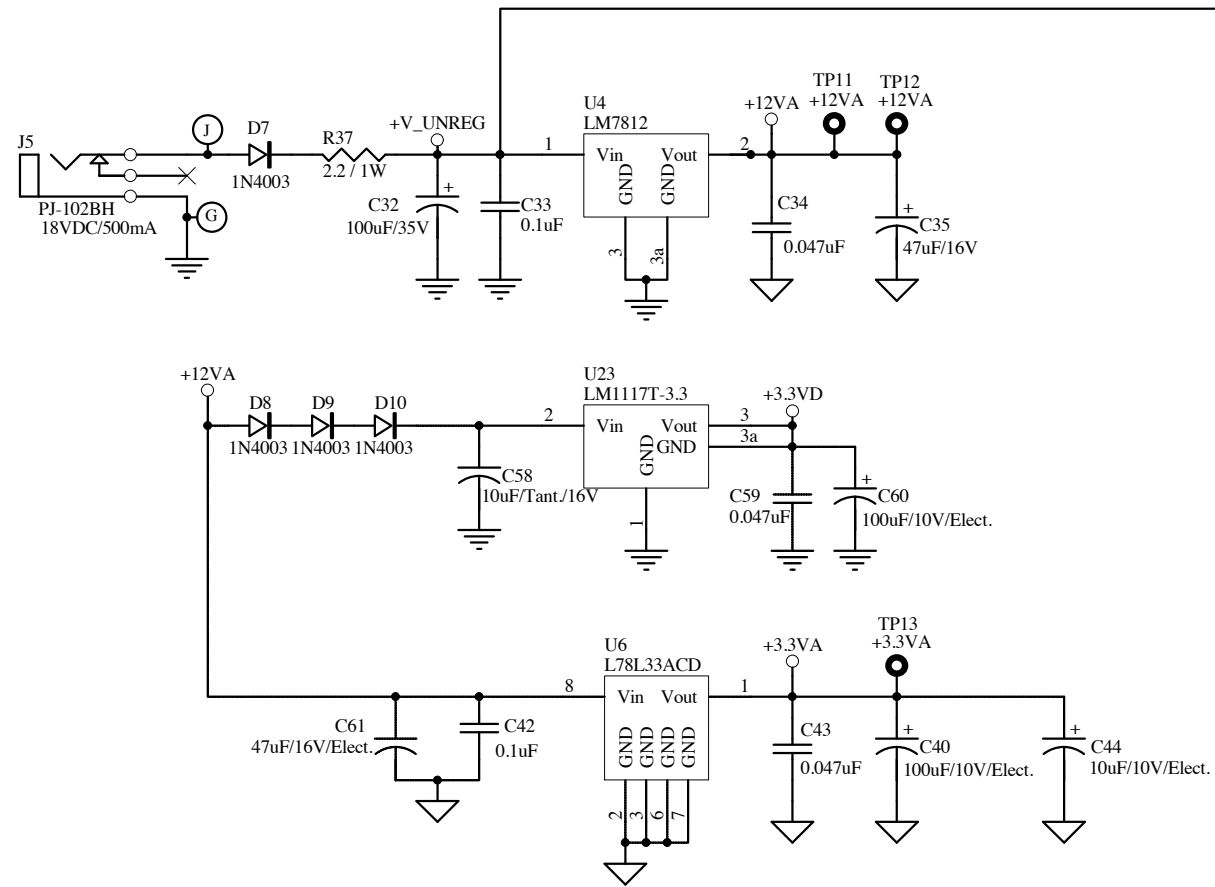
- EC-0070rA_CV
- EC-0070rA_CV.Sch
- CV_AUX
- CV_IN2
- CV_IN1



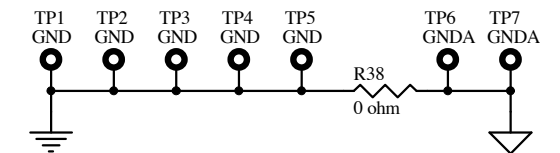
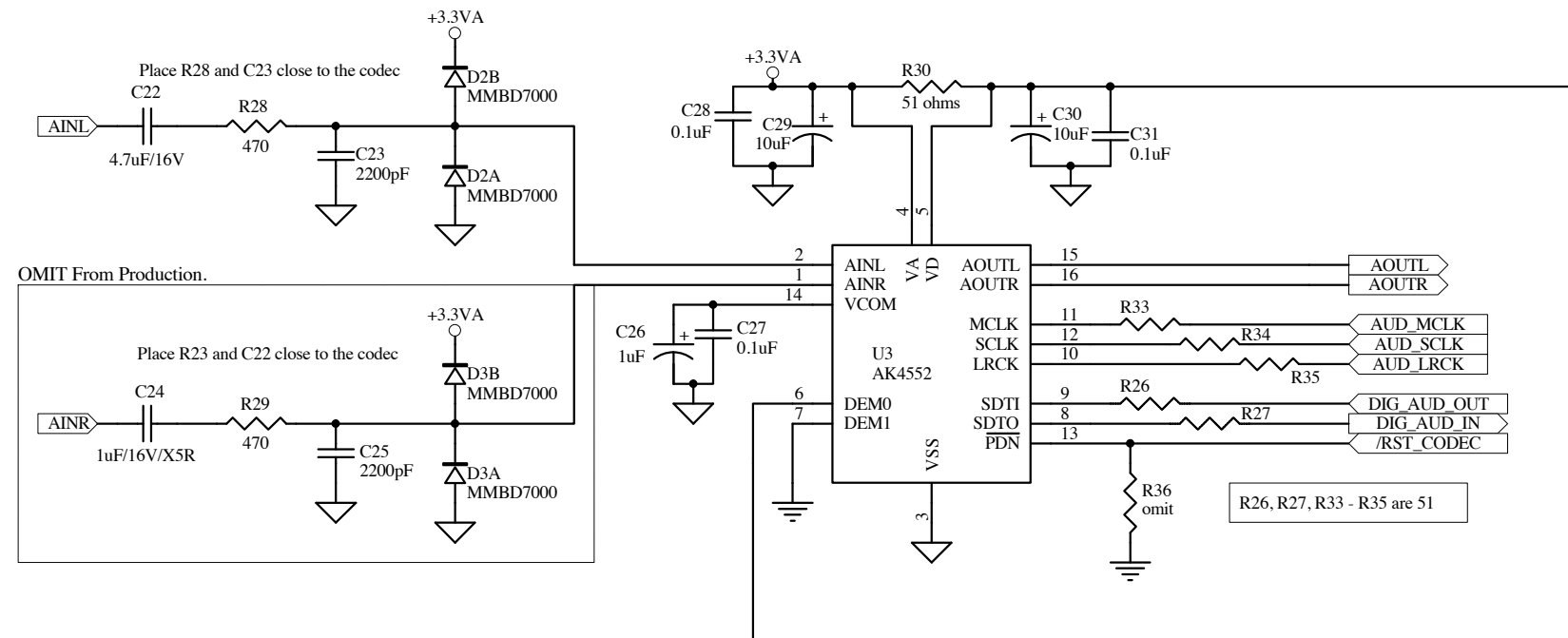
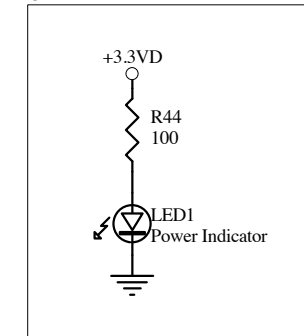
Copyright 2004 New Sensor Corp.
32-33 47th Ave
Long Island City, NY 11101

Title		
POG - Audio I/O		
Size	Number	Revision
B	EC-0070	A
Date:	21-Mar-2005	Sheet 1 of 6
File:	C:\EC-0070\EC-0070.ddb	Drawn By: John Pisani

OMIT Switching Power Supply Section From Production.
Install Switching Power Supply when more than one RAM chip is installed on the PCB.

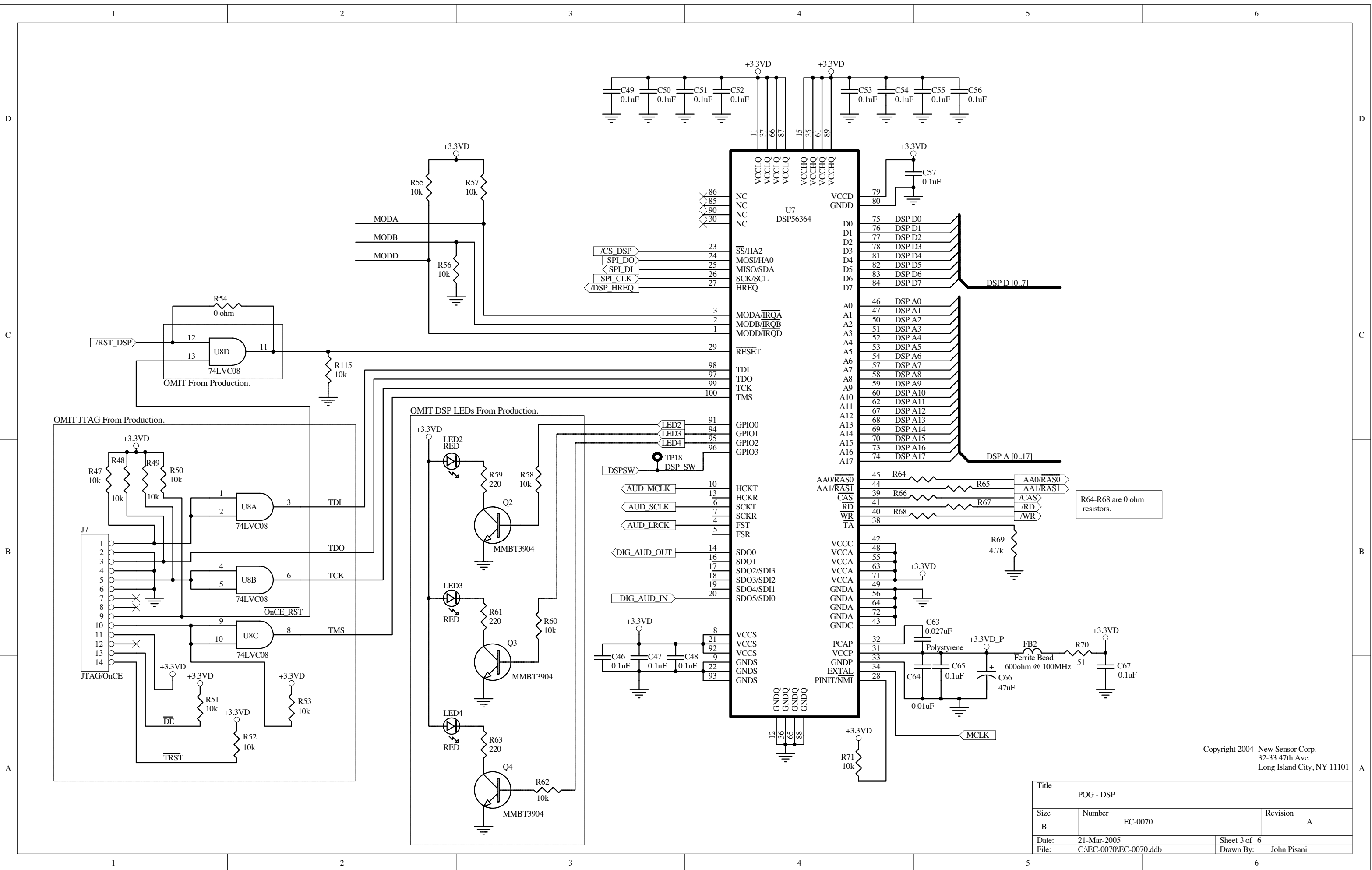


OMIT From Production.



Copyright 2004 New Sensor Corp.
32-33 47th Ave
Long Island City, NY 11101

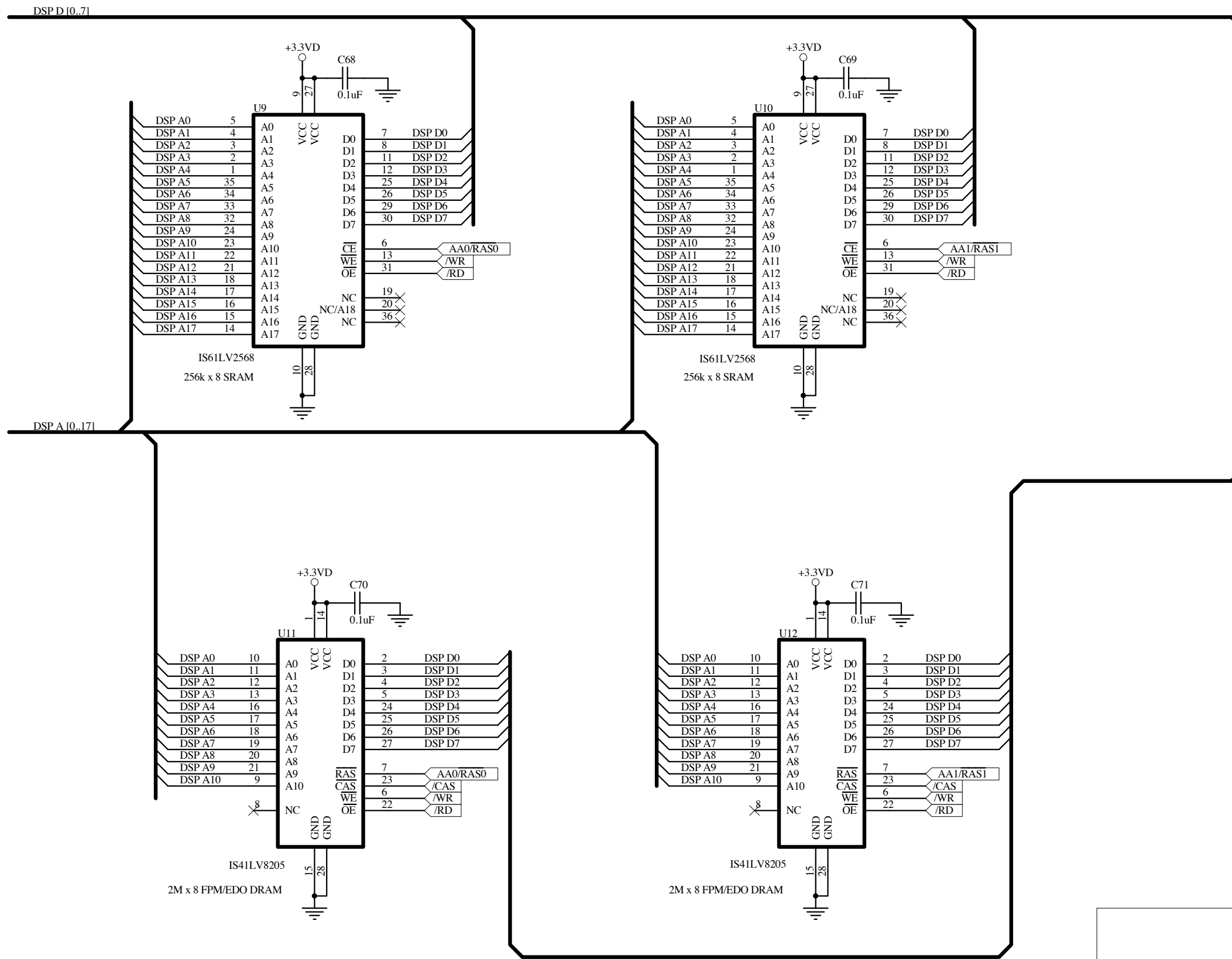
Title POG - Codec and Power Supply		
Size B	Number EC-0070	Revision A
Date: 21-Mar-2005	Sheet 2 of 6	
File: C:\EC-0070\EC-0070.ddb	Drawn By: John Pisani	



Copyright 2004 New Sensor Corp.
32-33 47th Ave
Long Island City, NY 11101

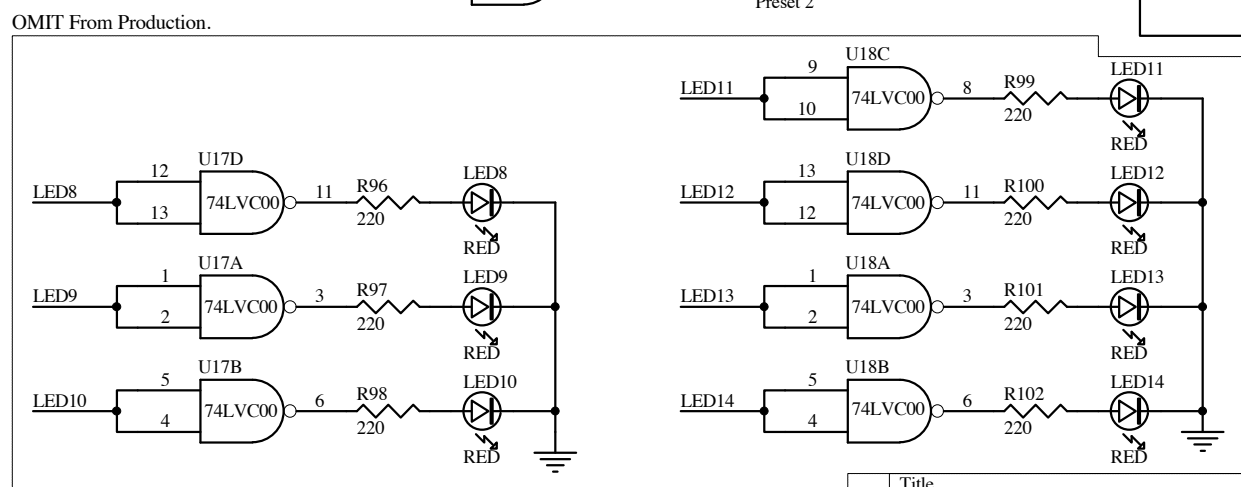
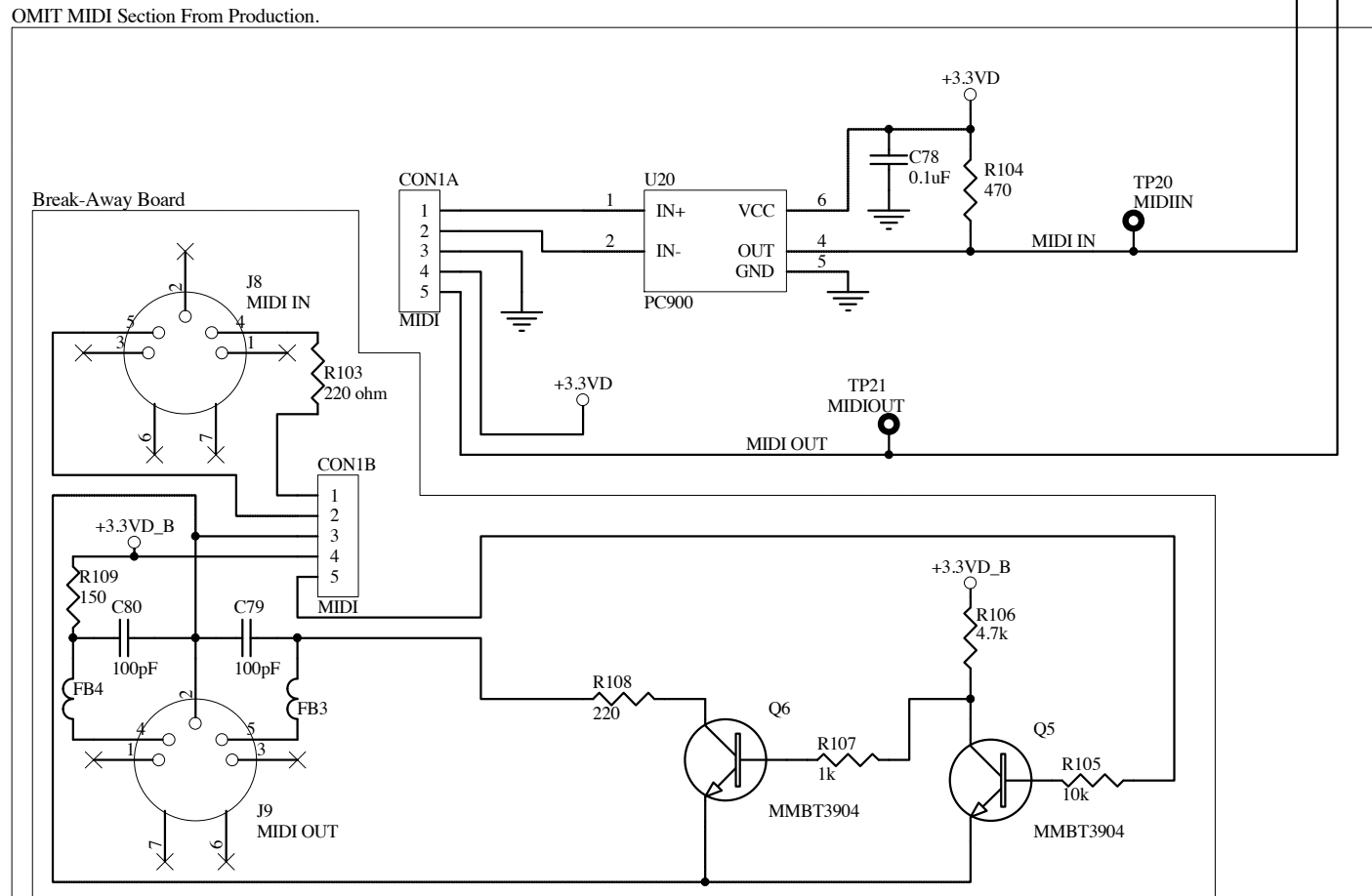
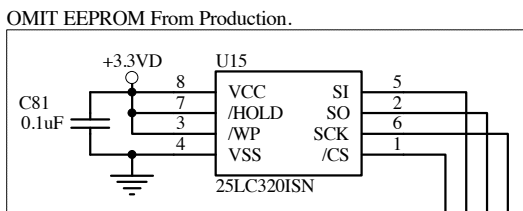
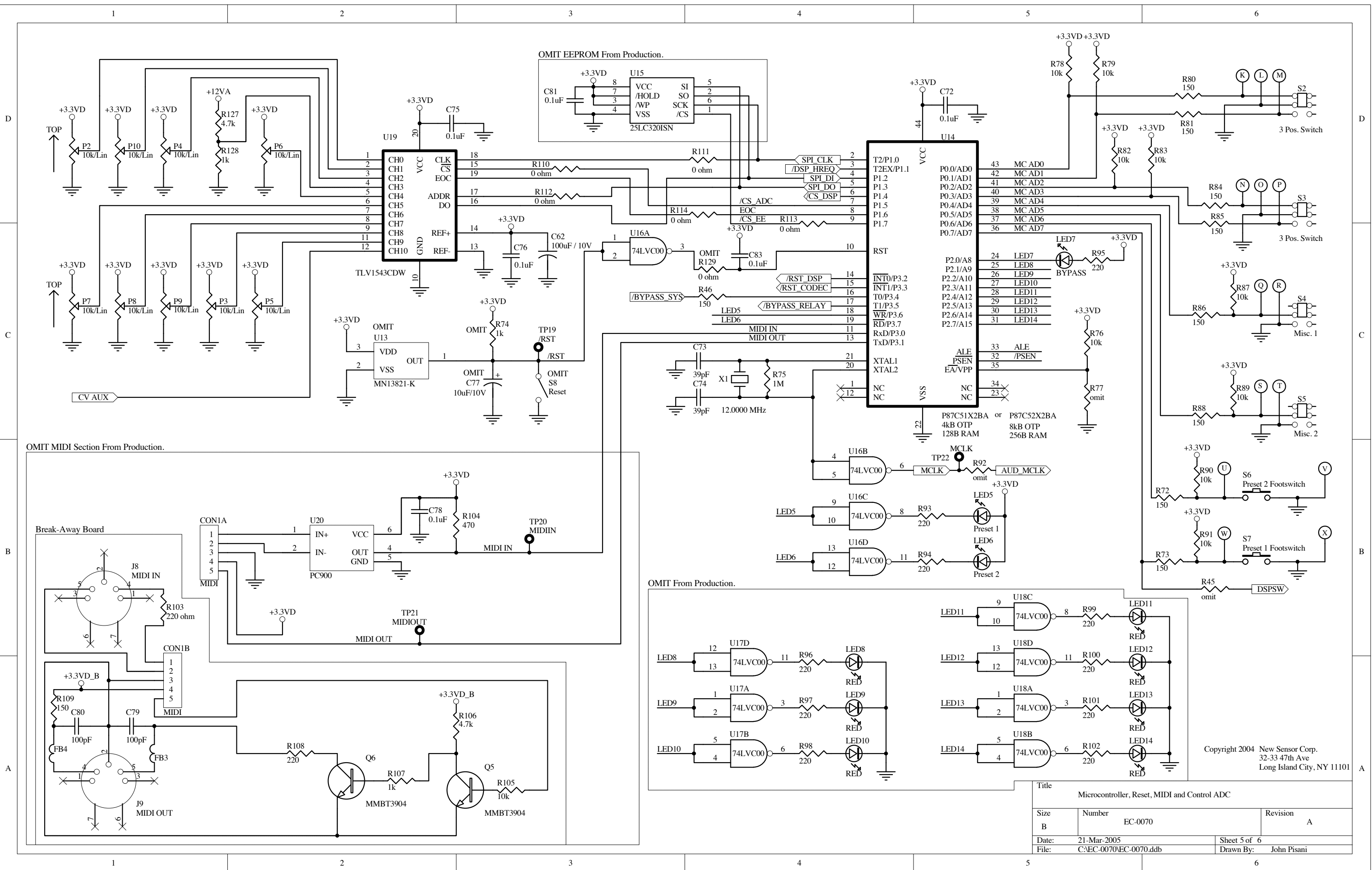
Title		
POG - DSP		
Size	Number	Revision
B	EC-0070	A
Date:	21-Mar-2005	Sheet 3 of 6
File:	C:\EC-0070\EC-0070.ddb	Drawn By: John Pisani

OMIT External Memory Section From Production.



Copyright 2004 New Sensor Corp.
32-33 47th Ave
Long Island City, NY 11101

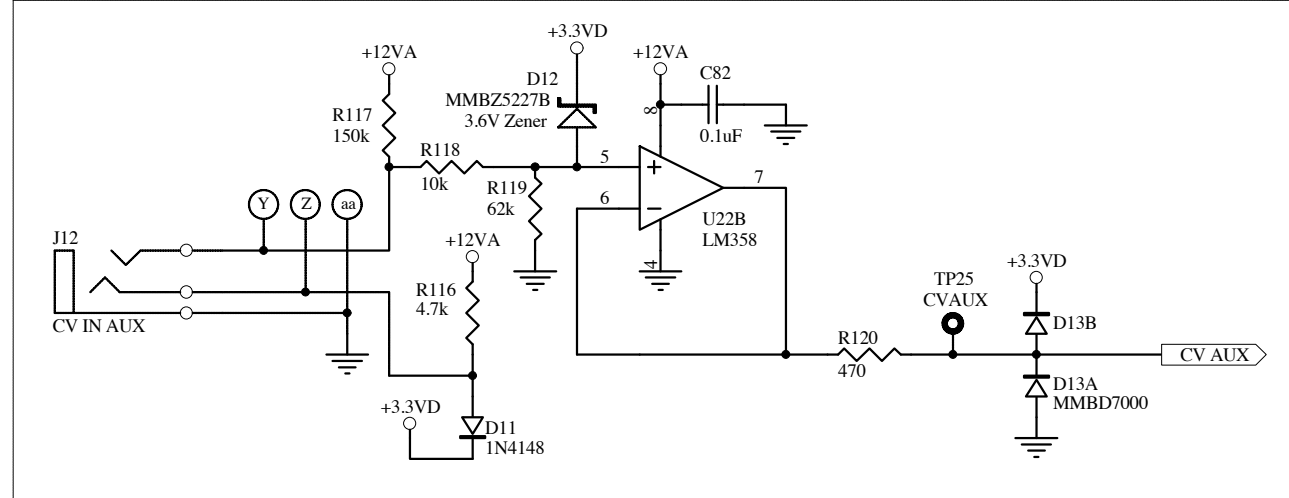
Title		POG - DSP Memory	
Size	Number	Revision	
B	EC-0070	A	
Date:	21-Mar-2005	Sheet 4 of 6	
File:	C:\EC-0070\EC-0070.ddb	Drawn By: John Pisani	



Copyright 2004 New Sensor Corp.
32-33 47th Ave
Long Island City, NY 11101

Title		
Microcontroller, Reset, MIDI and Control ADC		
Size	Number	Revision
B	EC-0070	A
Date:	21-Mar-2005	Sheet 5 of 6
File:	C:\EC-0070\EC-0070.ddb	Drawn By: John Pisani

OMIT CV Input Section From Production.



Copyright 2004 New Sensor Corp.
32-33 47th Ave
Long Island City, NY 11101

Title		POG - Control Voltage Inputs	
Size	Number	Revision	
B	EC-0070	A	
Date:	21-Mar-2005	Sheet 6 of	6
File:	C:\EC-0070\EC-0070.ddb	Drawn By:	John Pisani