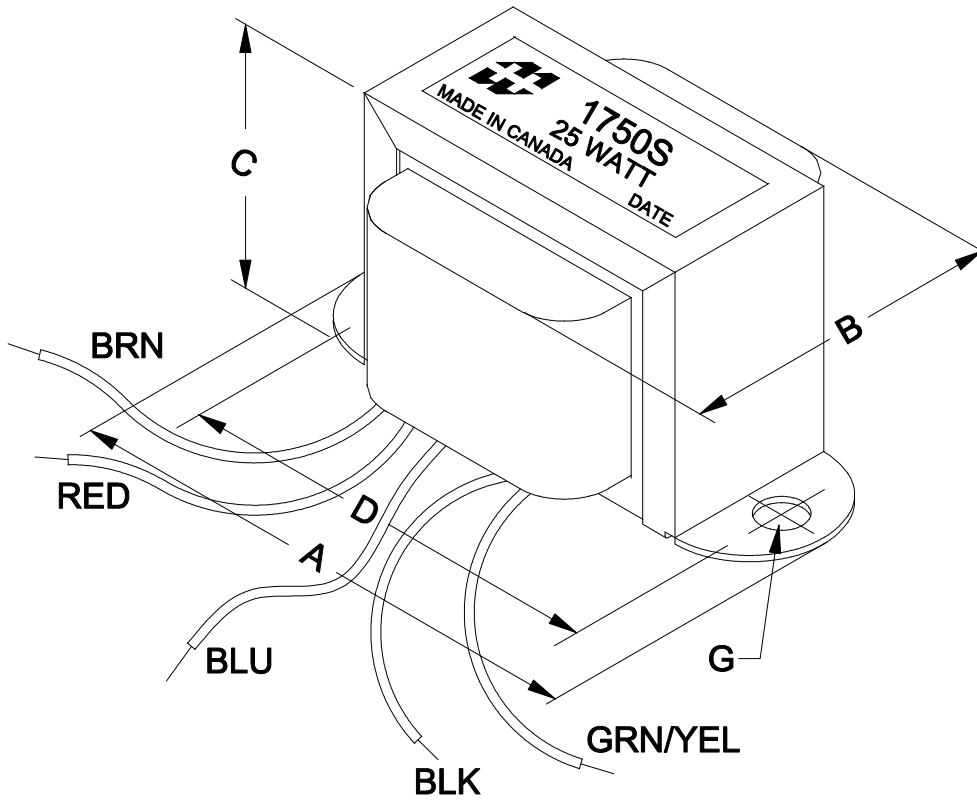
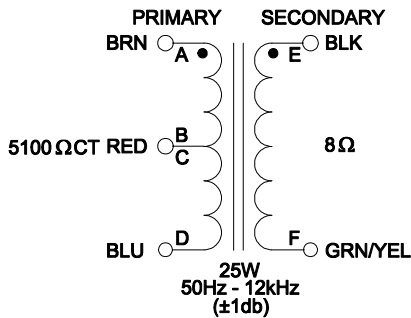


1750S



NOTE: ALL LEADS ARE 12" LONG MIN. OUT.

DIMENSIONS:	
A	3.688" ±0.063
B	2.120 Max
C	2.308" ±0.063
D	3.125" ±0.063
G	0.187" ±0.015



ELECTRICAL DATA:	
Turns ratio:	25.249 : 1
Inductance	@178V,50Hz =>113 H (Open circuit)
DCR	@ 20C, BLU - BRN =380.0 Ω ±20% @ 20C, BLK - GRN/YEL =0.751 Ω ±20%
FREQ. RESP	@ 25W(322.75V), 50Hz-12kHz, BLU-BRN ±1db (Ref.1kHz)
Pri. Impedance	5100 Ω CT(357.0V)
Sec. Impedance	8 Ω (14.14V @ 1.678A)
Power	25 WATTS



**HAMMOND
ELECTRONICS**

52 RANKIN PLACE,
WATERLOO, ONTARIO, N2L 3Z5.
PHONE (519) 886-6181
FAX # (519) 886-9540

TITLE			
OUTPUT TRANSFORMER			
			DR BY D.Hutt
0	20/03/2013	RELEASED	D.H. DATE 20/03/2013
NO	DATE	REVISION	DIM IN(X)MM()

1750S