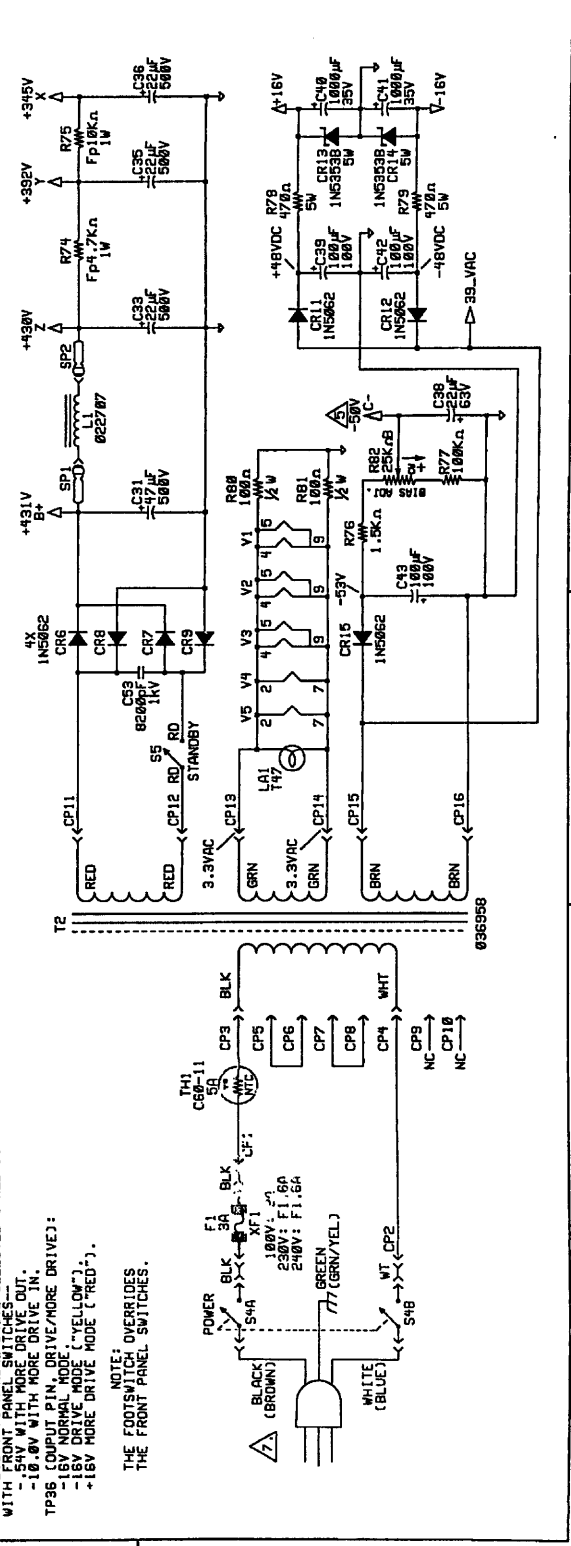
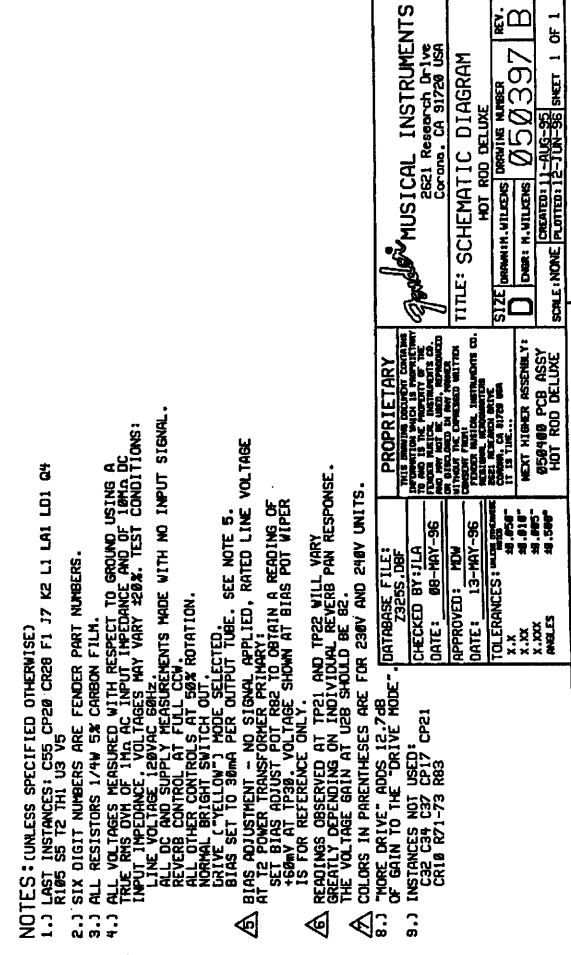
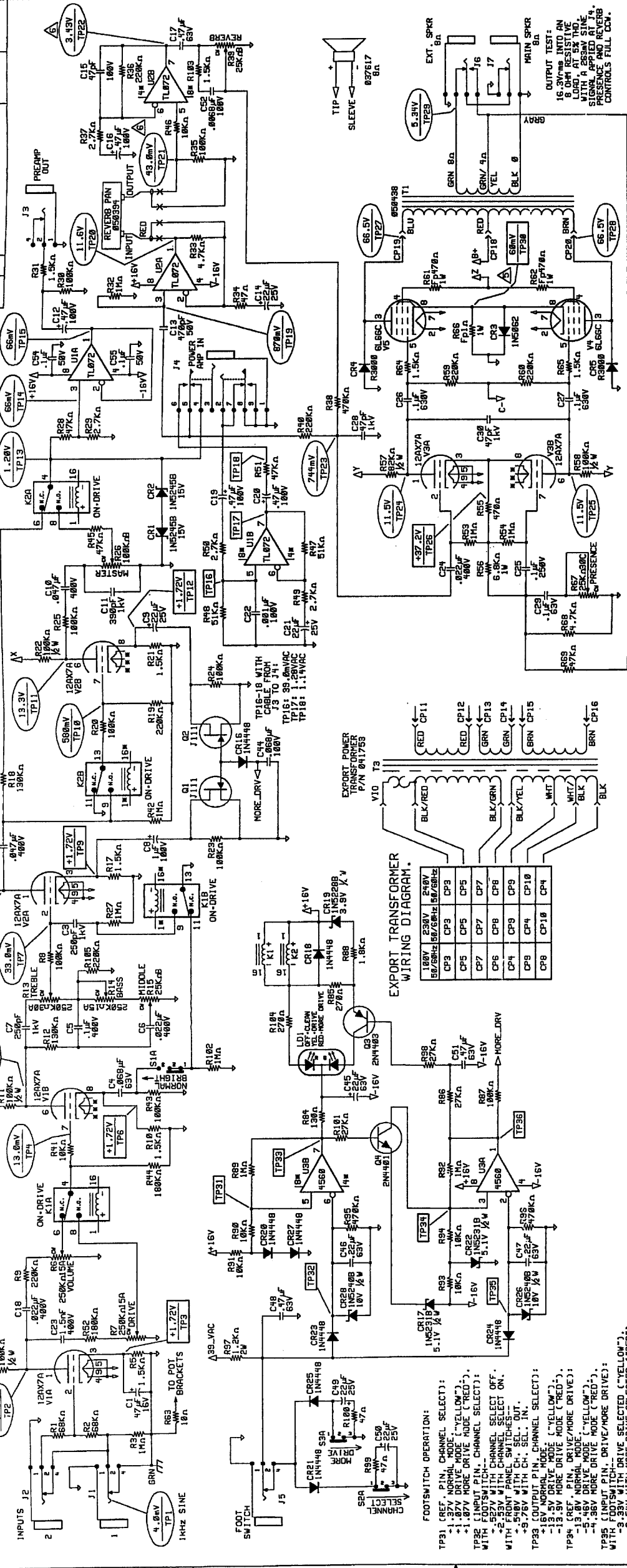


ZONE	REV.	DESCRIPTION	DATE	APPROVED
	A	RELEASED PR325	13-MAY-96	MDW
	B	EC 1701	24-MAY-96	MDW



NOTES: (UNLESS SPECIFIED OTHERWISE)

- LAST INSTANCES: C55 CP20 CR28 F1 J7 K2 L1 LA1 LD1 Q4
- SIX DIGIT NUMBERS ARE FENDER PART NUMBERS.
- ALL RESISTORS 1/4W 5% CARBON FILM.
- ALL VOLTAGES MEASURED WITH RESPECT TO GROUND USING A TRIPLE RMS OHM OF 1MΩ AC INPUT IMPEDANCE AND OF 10MΩ DC INPUT IMPEDANCE. VOLTAGES MAY VARY ±20% TEST CONDITIONS: LINE VOLTAGE 120VAC 60Hz. RESISTANCE MEASUREMENTS MADE WITH NO INPUT SIGNAL. BLEND AND SUPPLY AT RESISTANCE MEASUREMENTS MADE WITH NORMAL BRIGHT SWITCH OUT.
- ALL OTHER CONTROLS AT 50% ROTATION.
- NORMAL ("YELLOW") MODE SELECTED.
- BIAS SET TO 30mA PER OUTPUT TUBE. SEE NOTE 5.
- AT 1/2 POWER TRANSFORMER PRIMARY OBTAIN A READING OF 322V AS PRIMARY VOLTAGE SHOWN AT BIAS PUT WIPER IS FOR REFERENCE ONLY.
- READINGS OBSERVED AT TP21 AND TP22 WILL VARY GREATLY DEPENDING ON INDIVIDUAL REVERB PAN RESPONSE. THE VOLTAGE GAIN AT U2B SHOULD BE 82.
- "MORE DRIVE" ADDS 12.7dB
- INSTANCES NOT USED: C32 C34 C37 CP17 CP21 CR18 R71-73 R83

MUSICAL INSTRUMENTS
 2621 Research Dr. Ives
 Corona, CA 91720 USA

PROPRIETARY
 THIS INSTRUMENT IS THE PROPERTY OF MUSICAL INSTRUMENTS. IT IS NOT TO BE REPRODUCED, COPIED, OR TRANSMITTED IN ANY FORM OR BY ANY MEANS, ELECTRONIC OR MECHANICAL, INCLUDING PHOTOCOPYING, RECORDING, OR BY ANY INFORMATION STORAGE AND RETRIEVAL SYSTEM.

DATE: 08-MAY-96
 APPROVED: MDW
 DATE: 13-MAY-96

TOLERANCES: UNLESS OTHERWISE SPECIFIED:
 R ±1%
 C ±10%
 X ±0.1%
 X ±0.05%
 ANGLES ±0.5°

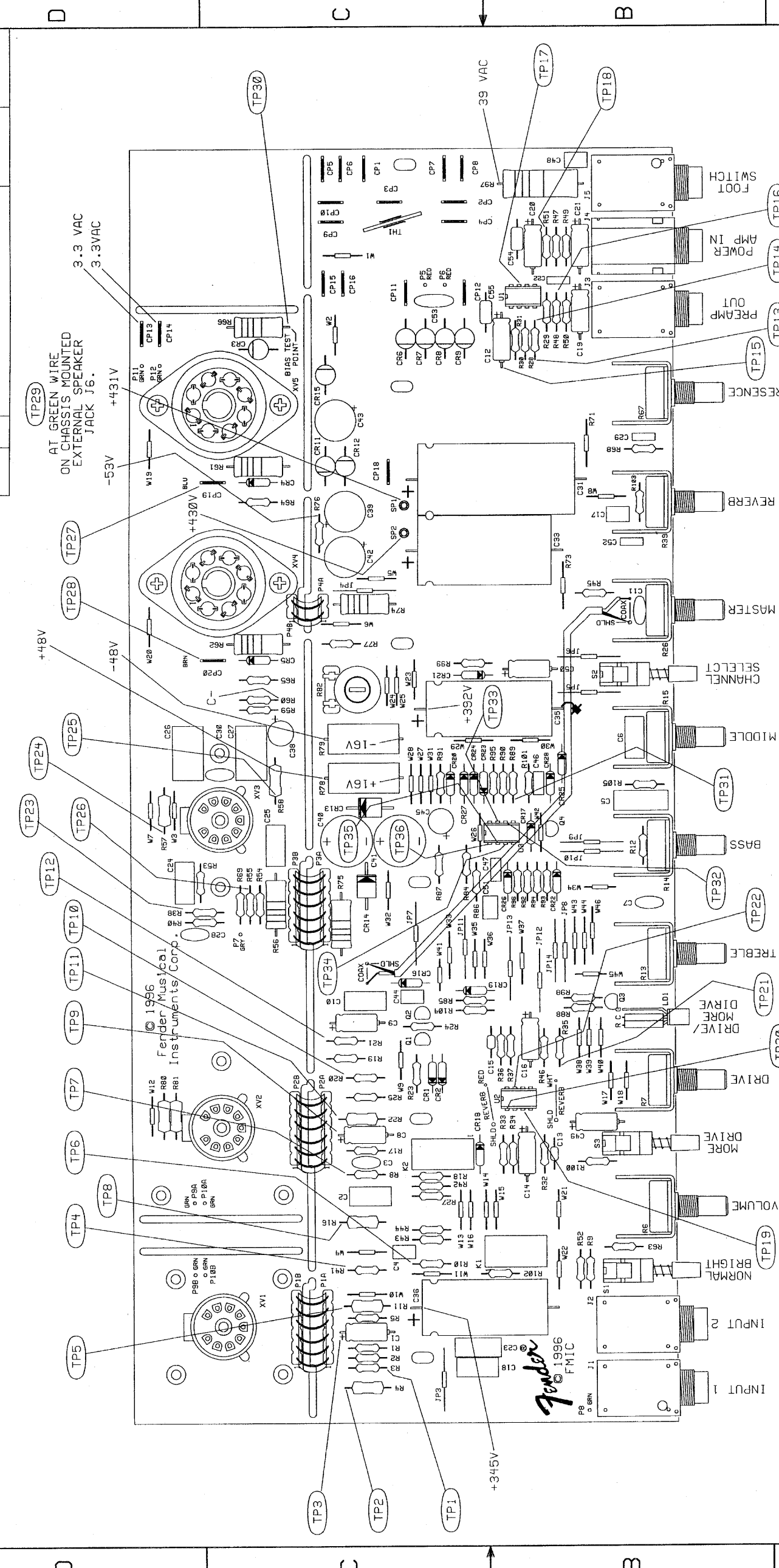
SIZE: DRAWING: UTILIZATION: DRAWING NUMBER: 050397 B
 NEXT KICKER ASSEMBLY: 050398 B
 SCALE: NONE (UNLESS OTHERWISE SPECIFIED) SHEET 1 OF 1

TITLE: SCHEMATIC DIAGRAM

1 2 3 4 5 6 7 8

1 2 3 4 5 6 7 8

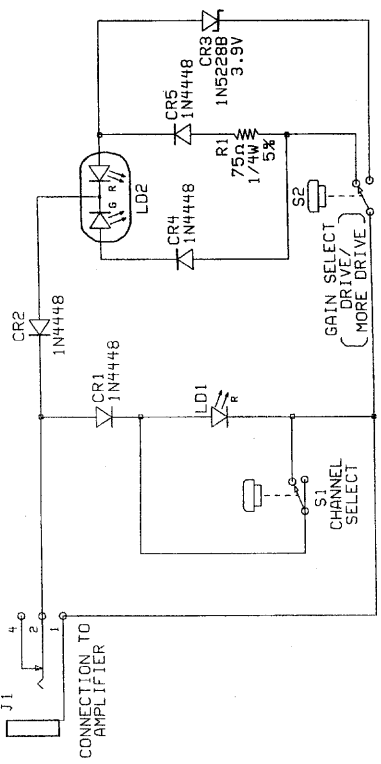
REVISIONS		DATE	APPROVED
ZONE	REV. DESCRIPTION	13-MAY-96	MDW
	A RELEASED PR325		



FILM/DWG: SERVICE DIAGRAM
 DATABASE: Z325PA.DBF DATE: 12-JUN-96
 LAYERS PLOTTED: 1 2 3 4 10
 18

NOTES:
 1.) WIRES NOT SHOWN FOR CLARITY.

SCHEMATIC FOR FOOTSWITCH ASSEMBLY 050419.



PROPRIETARY THIS DRAWING DOCUMENT CONTAINS INFORMATION WHICH IS PROPRIETARY TO AND IS THE PROPERTY OF THE FENDER MUSICAL INSTRUMENTS CO. AND MAY NOT BE USED, REPRODUCED OR DISCLOSED IN ANY MANNER WITHOUT THE EXPRESSED WRITTEN CONSENT FROM: FENDER MUSICAL INSTRUMENTS CO. REGIONAL HEADQUARTERS 2621 RESEARCH DRIVE CORONA, CA 91728 USA IT IS TIME...	DATABASE FILE: Z325PA.DBF CHECKED BY: JLA DATE: 08-MAY-96 APPROVED: MDW DATE: 13-MAY-96 TOLERANCES: UNLESS OTHERWISE NOTED X.X ±0.050° X.XX ±0.010° X.XXX ±0.005° ANGLES ±0.500°
Fender MUSICAL INSTRUMENTS 2621 Research Drive Corona, CA 91720 USA	TITLE: SERVICE DIAGRAM HOT ROD DELUXE. SIZE: C DRAWN: M. WILKENS ENGR: M. WILKENS DRAWING NUMBER: 050399 REV. A SCALE: NONE PLOTTED: 12-JUN-96 SHEET 1 OF 1

1 2 3 4 5 6 7 8