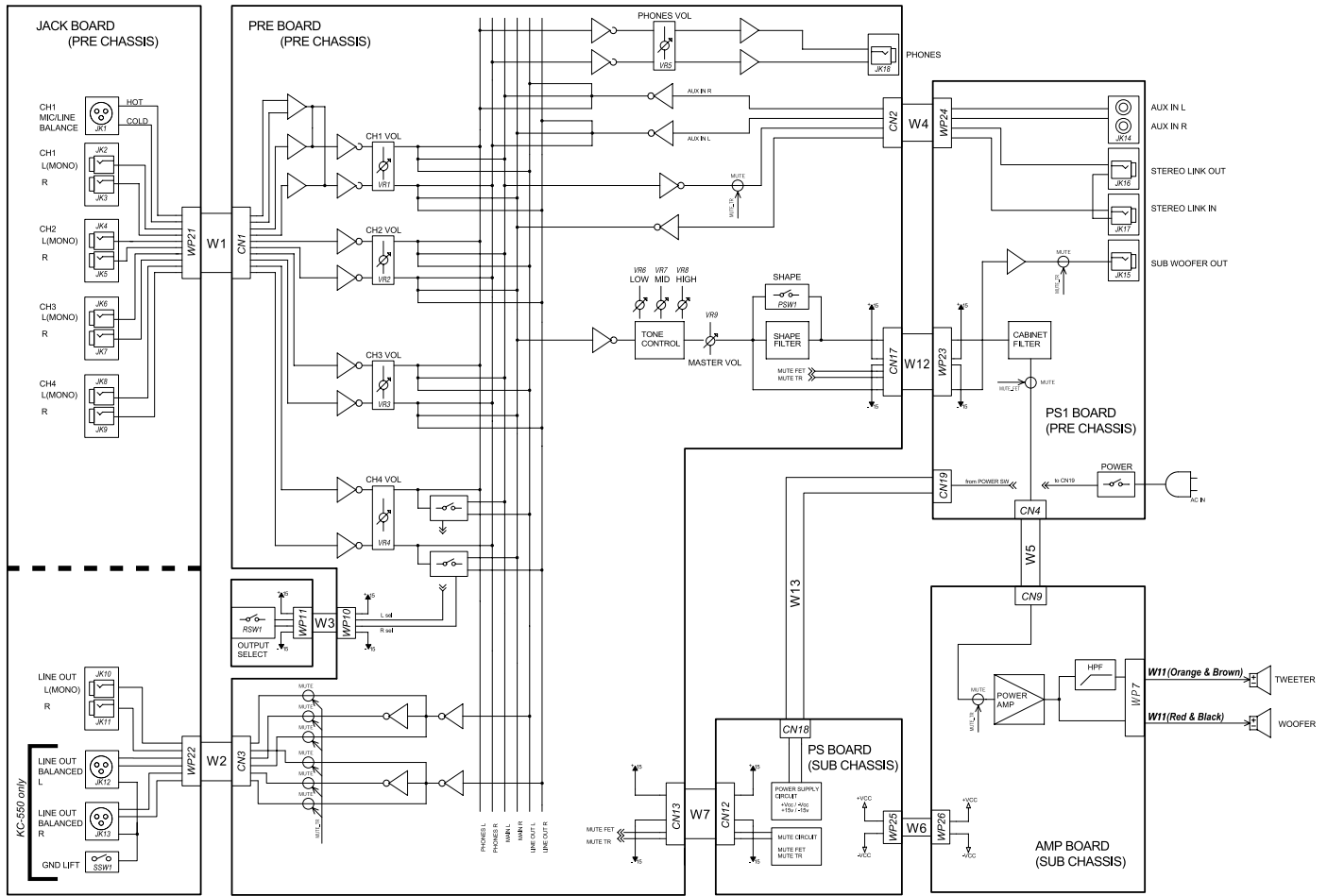
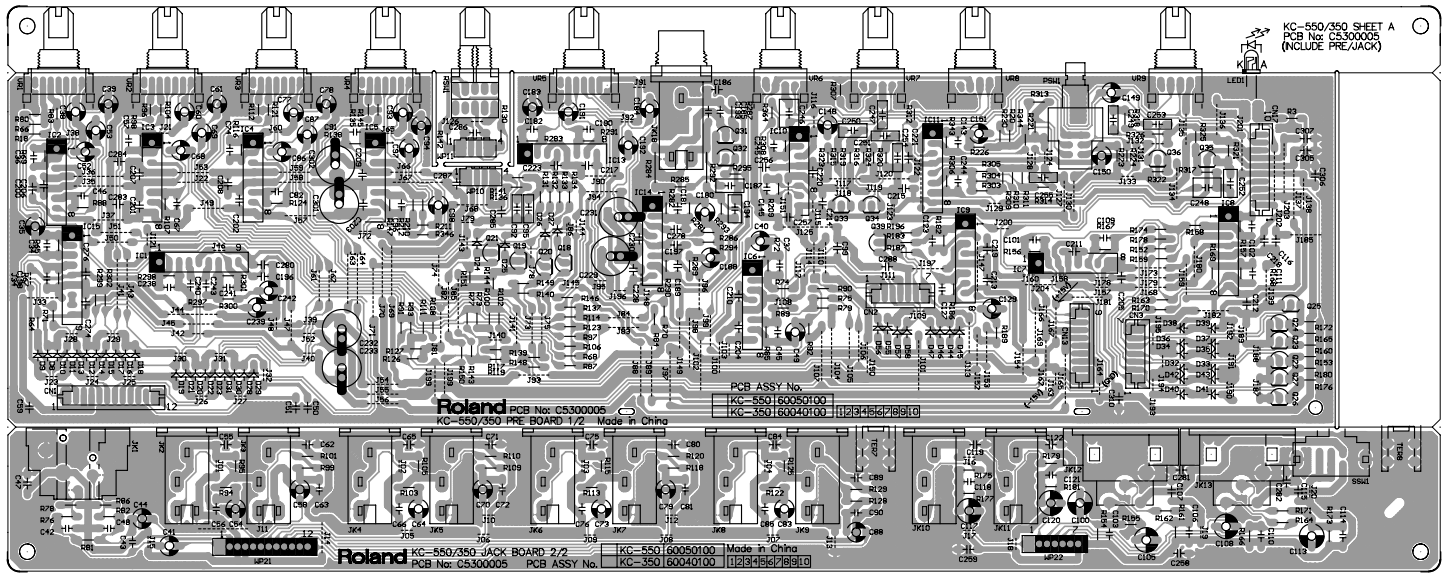


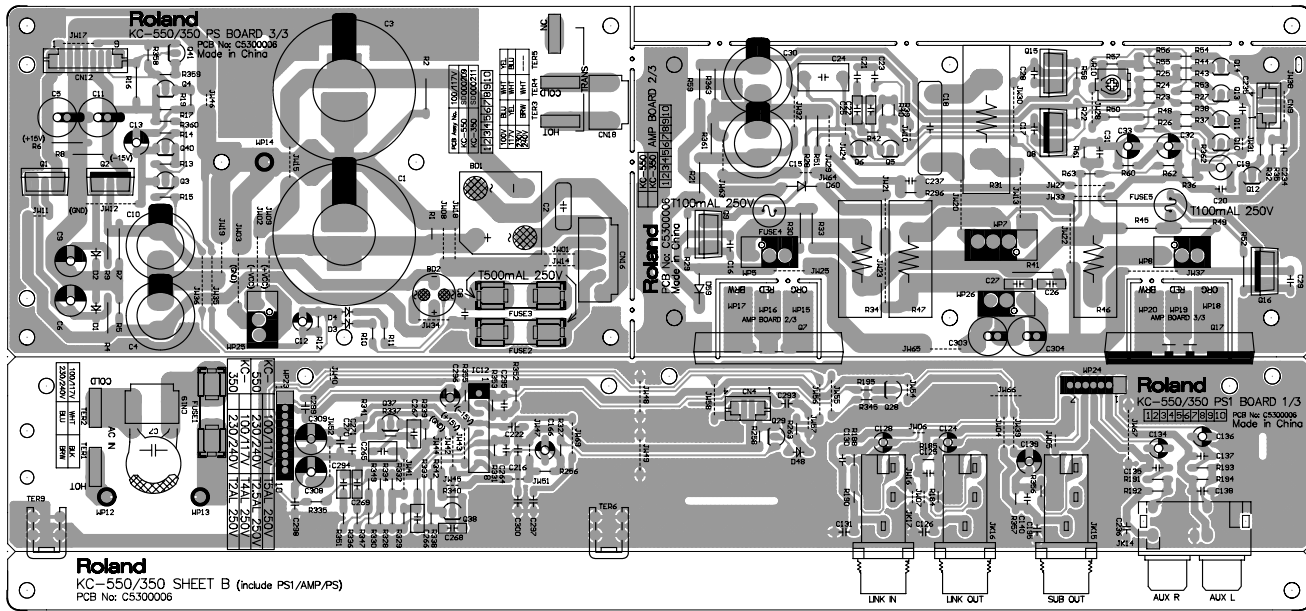
BLOCK DIAGRAM



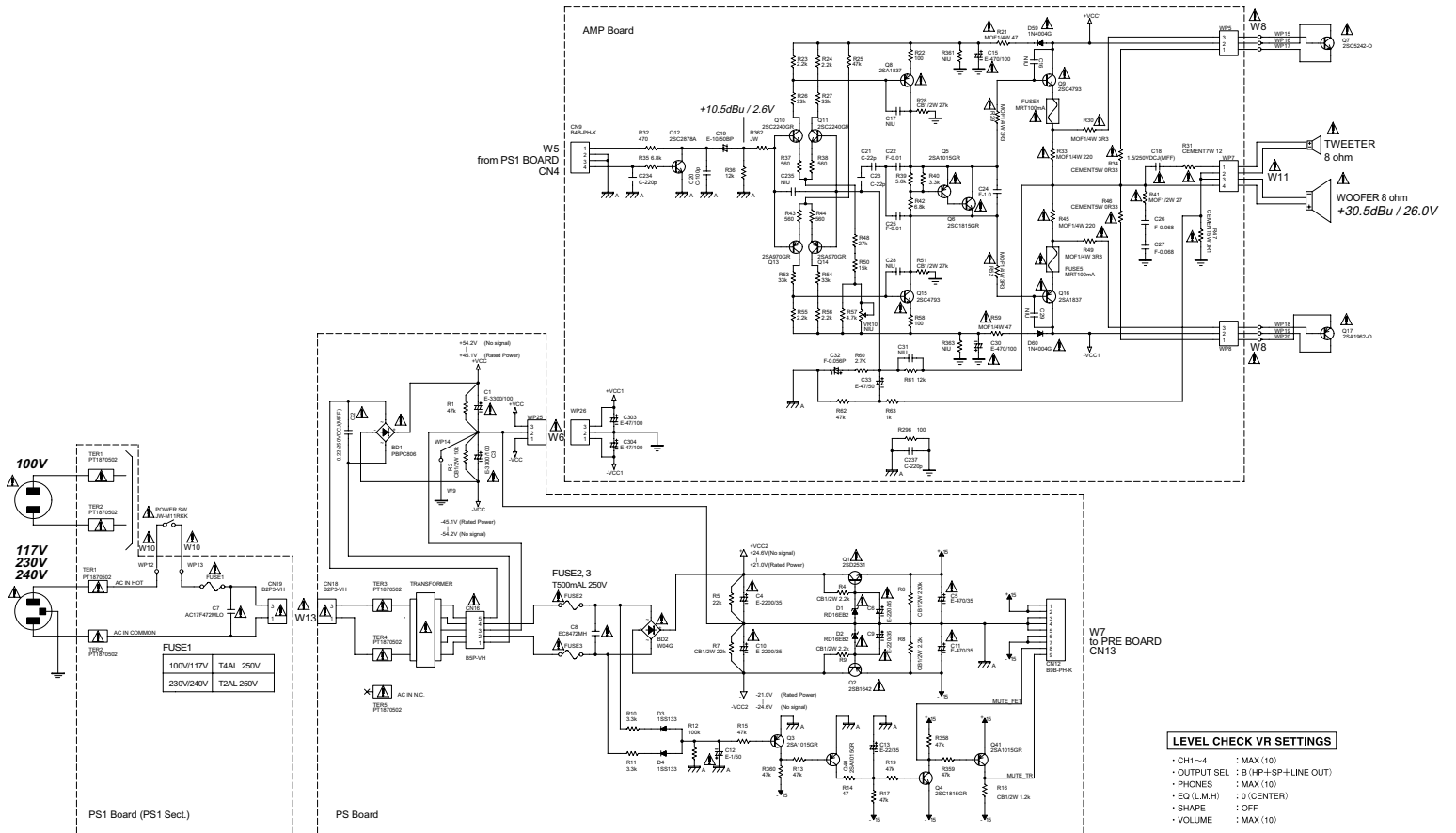
CIRCUIT BOARD (SHEET A BOARD)



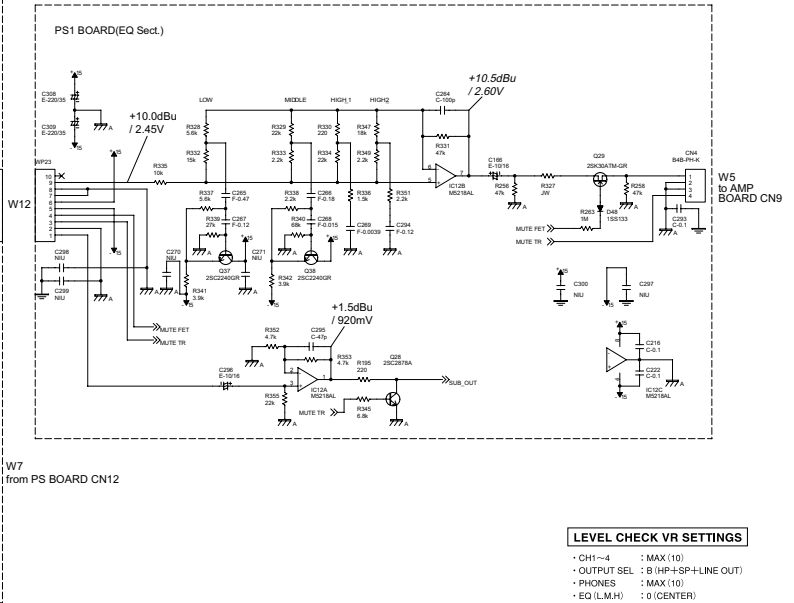
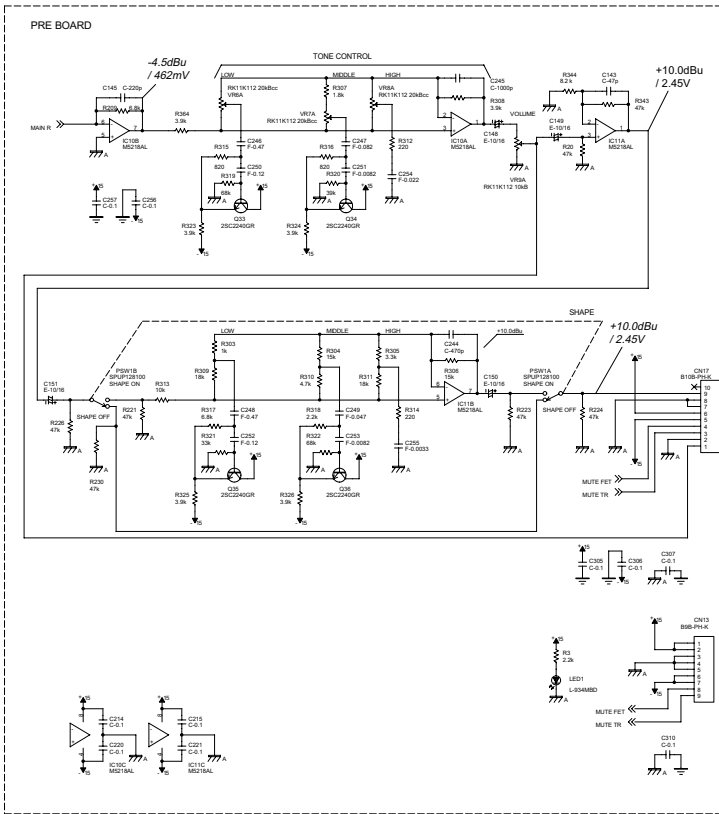
CIRCUIT BOARD (SHEET B BOARD)



KC-350 CIRCUIT DIAGRAM (1/4)

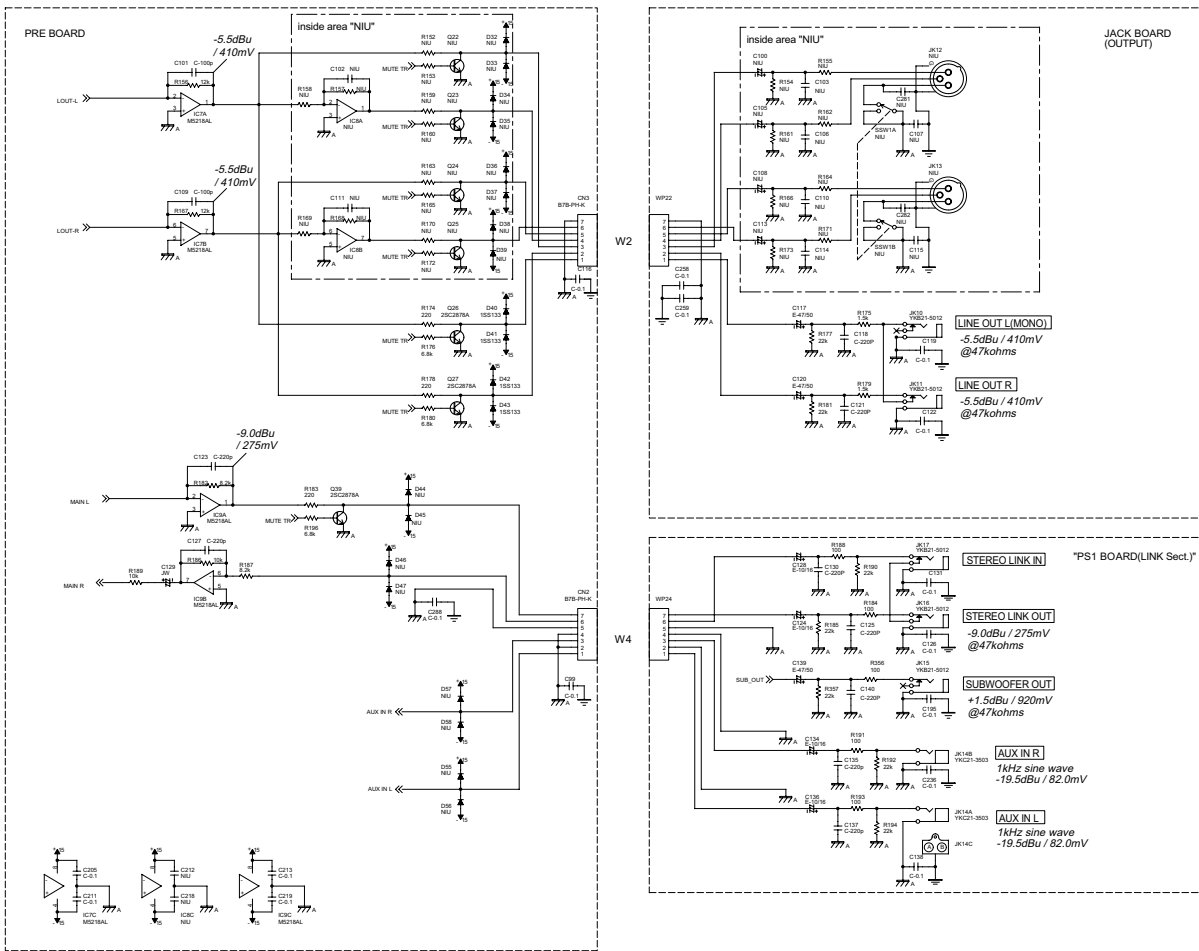


KC-350 CIRCUIT DIAGRAM (2/4)



- LEVEL CHECK VR SETTINGS**
- CH1~4 : MAX (10)
 - OUTPUT SEL : B (HP+SP+LINE OUT)
 - PHONES : MAX (10)
 - EQ (L,M,H) : 0 (CENTER)
 - SHAPE : OFF
 - VOLUME : MAX (10)

KC-350 CIRCUIT DIAGRAM (3/4)



KC-350 CIRCUIT DIAGRAM (4/4)

