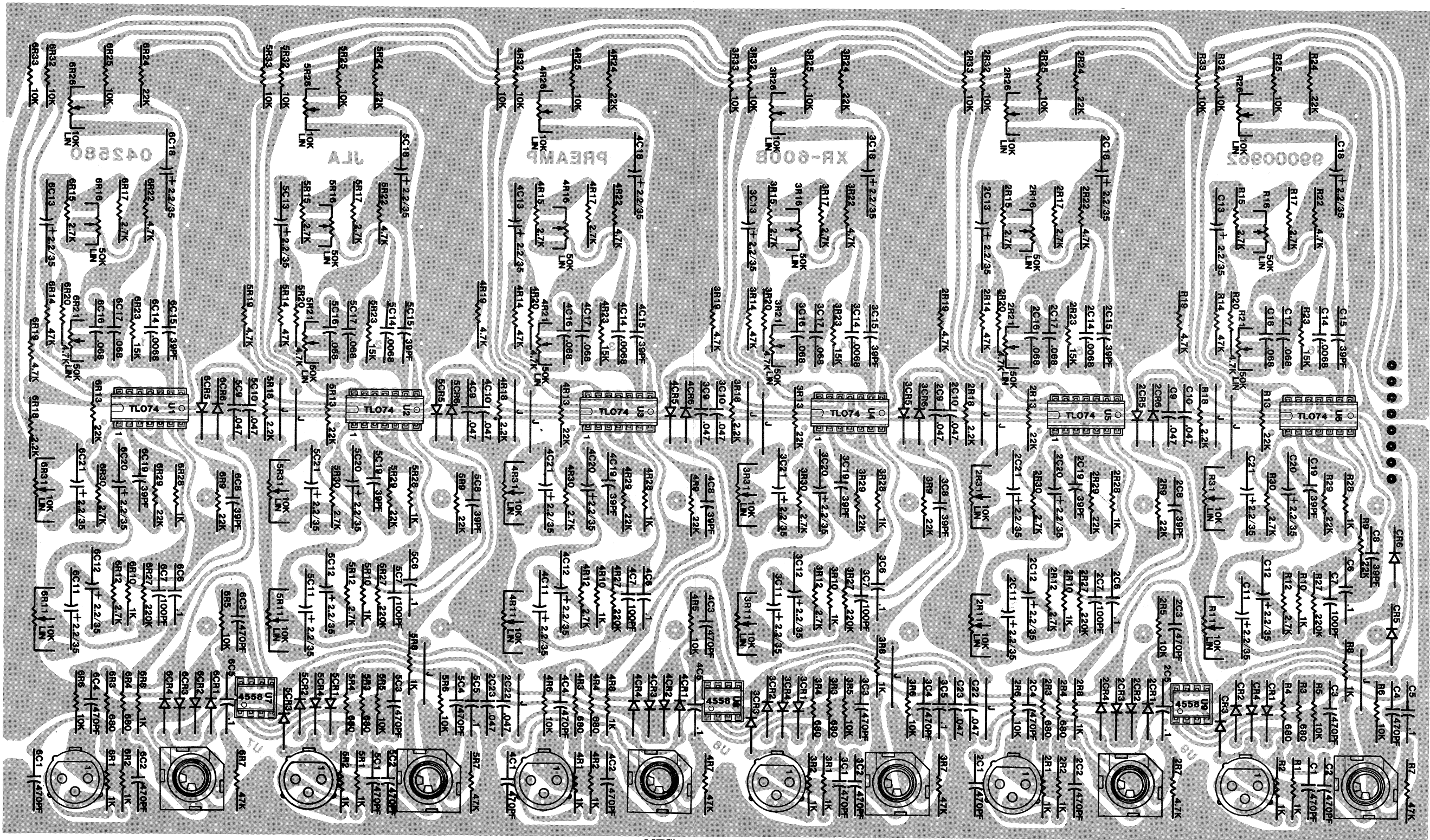


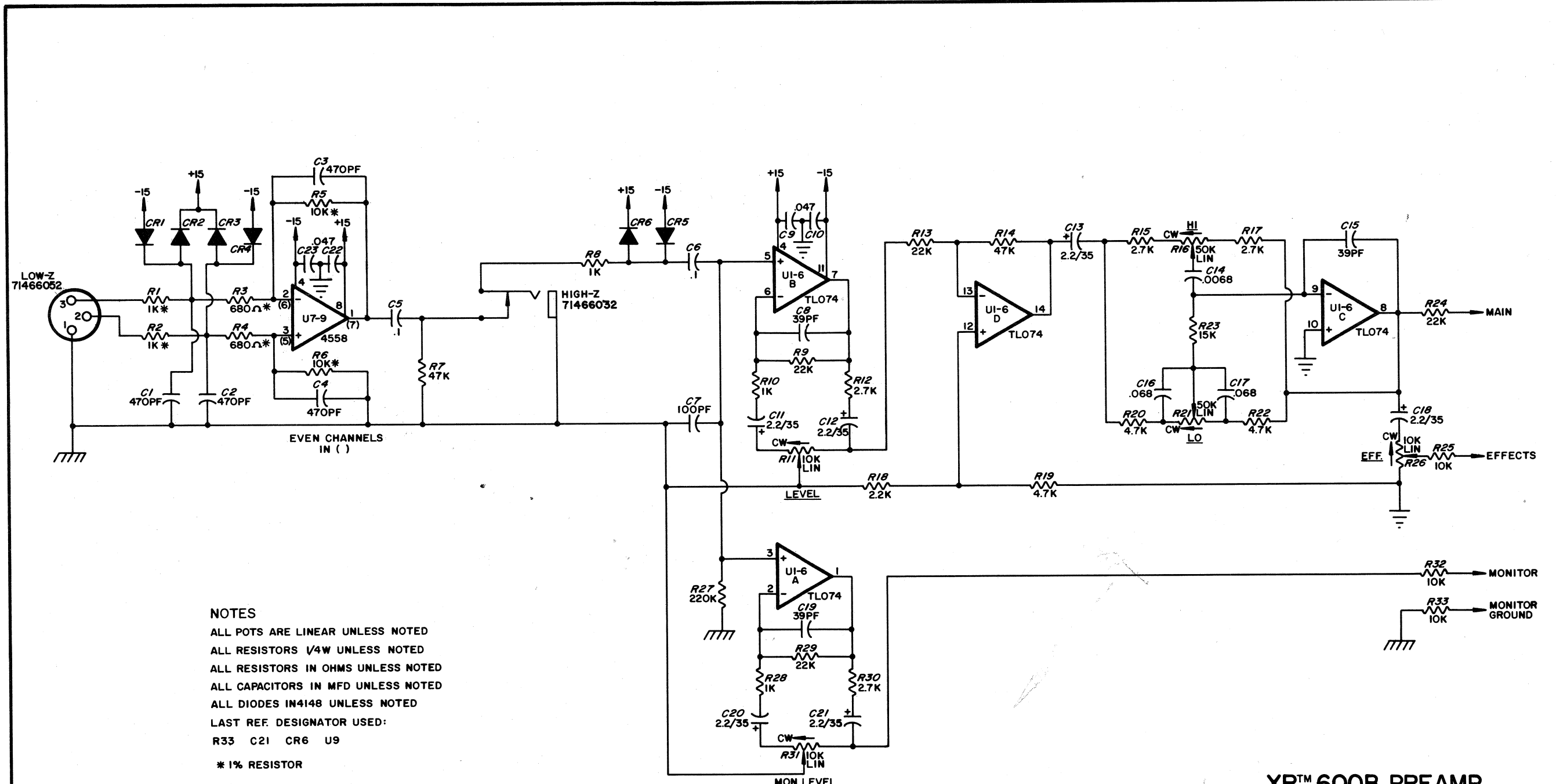
**XR-600B MASTER**  
 MASTER BD.#99000960  
 USES 400BH MOD.

- NOTES**
- ALL POTS ARE LINEAR UNLESS NOTED
  - ALL RESISTORS 1/4W UNLESS NOTED
  - ALL RESISTORS IN OHMS UNLESS NOTED
  - ALL CAPACITORS IN MFD UNLESS NOTED
  - ALL DIODES IN4148 UNLESS NOTED
  - LAST REF. DESIGNATOR USED:
  - R79 C61 CR17 U14

PEAVEY ELECTRONICS CORP. MERIDIAN, MS.	
DRAWN BY	REG DATE 8/28/80
C.B. CHECK	REG
CHECK BY	JCL
APPR. BY	JCL



XR-600B PREAMP



**NOTES**  
 ALL POTS ARE LINEAR UNLESS NOTED  
 ALL RESISTORS 1/4W UNLESS NOTED  
 ALL RESISTORS IN OHMS UNLESS NOTED  
 ALL CAPACITORS IN MFD UNLESS NOTED  
 ALL DIODES IN4148 UNLESS NOTED  
 LAST REF. DESIGNATOR USED:  
 R33 C21 CR6 U9  
 \* 1% RESISTOR

**XR™ 600B PREAMP**  
 BD. # 99000962

PEAVEY® ELECTRONICS CORP. MERIDIAN, MS.	
DRAWN BY	KEA DATE 7/3/80
C.B. CHECK	KEA
CHECK BY	[Signature]
APPR. BY	[Signature]