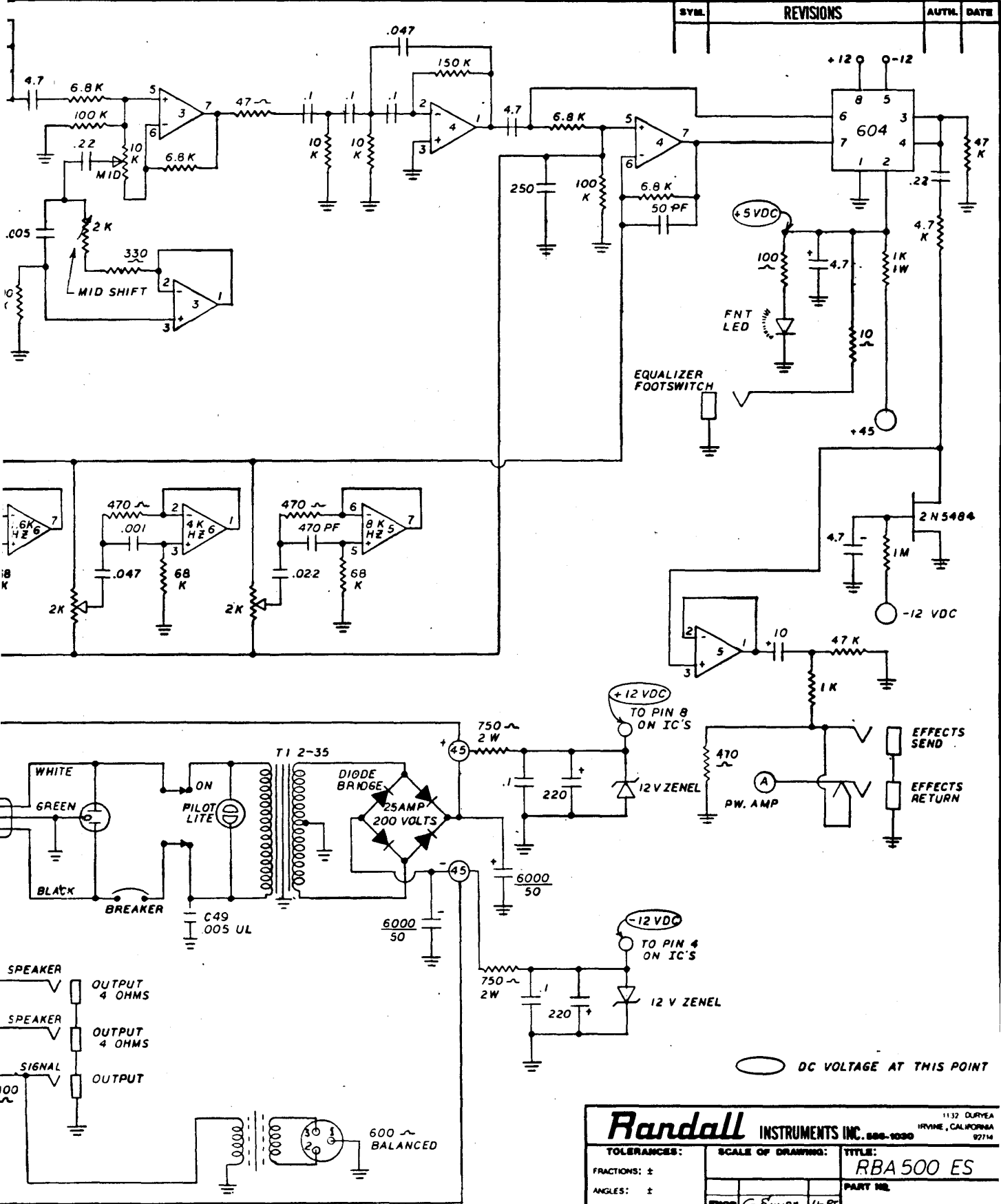


SYL.	REVISIONS	AUTH.	DATE



**Randall INSTRUMENTS INC.** 1132 DURYEA IRVINE, CALIFORNIA 92714

800-633-0330

TOLERANCES:		SCALE OF DRAWING:	TITLE:
FRACTIONS: ±	ANGLES: ±		RBA 500 ES
DECIMALS: .x ±	.xx ±	ENGR: G. BUNDA 11-85	PART NO.
.xxx ±		DWGT: LOWE 11-85	ASBY NO.