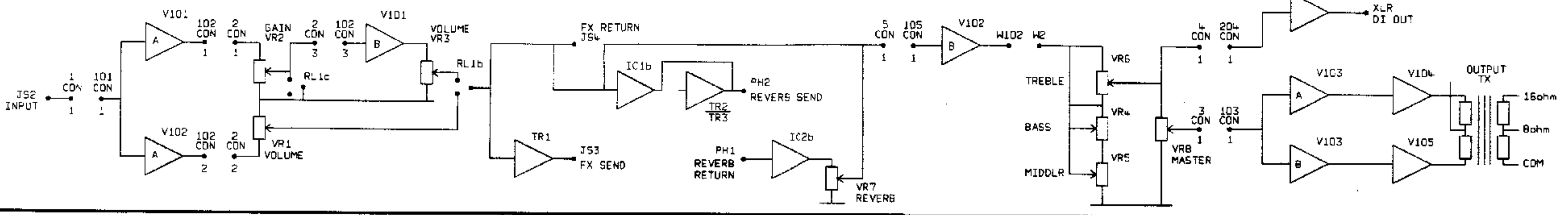


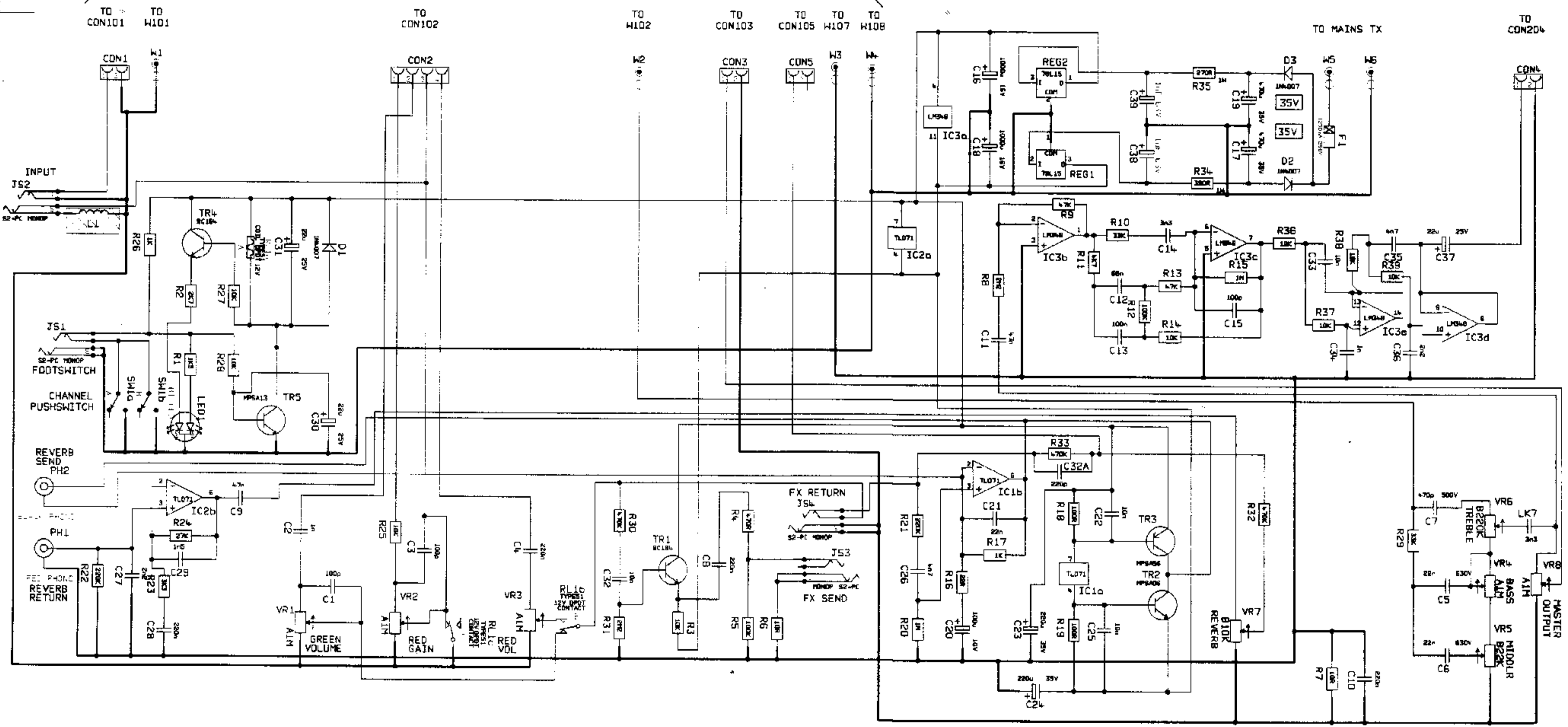
BLOCK DIAGRAM FOR SERVICE REFERENCE ONLY

JTM3-60-02  
DWG. No.



POWER PCB  
CIRCUIT DIAGRAM JTM3-61-02

OUTPUT PCB  
CIRCUIT DIAGRAM JTM3-61-02



JTM30-1

4	0983	30/08/95	ALL OTHER HOLES		
3	0929	26/6/95	A	E	J
2	0913	15/12/94	B	F	K
1		05-12-94	C	G	L
REV	DOC NUMBER	DATE	D	H	M

X = (THROUGH PLATED)			
N			
P			
Q			
R			

*Marshall*  
DESIGN: R141, BLETCHLEY, HUNTS, ENGLAND  
TEL: 0466 875441 FAX: 0466 875472

TITLE PRE-AMP BOARD  
CIRCUIT DIAGRAM  
JTM3-60-02 4